



MASTER LEDspot ExpertColor LV



MAS LED ExpertColor 6.7-35W MR16 930 36D

MASTER LEDspot LV ExpertColor creates a warm and comfortable ambience for hospitality venues, homes and restaurants. It creates such an ambience with superior lighting that has a customized spectrum, high CRI, and deep dimming feature. The result? A beautiful lighting experience. What's more, the innovative, trimless lens design will suit almost any interior decor with its clean and neat look. In addition, you can take advantage of the full ExpertColor family, which also includes LEDspot MV and LEDspot Par lamps.

Product data

General Information		Luminous Flux in 90° Cone (Rated)	
Cap-Base	GU5.3		440 lm
Nominal lifetime	40,000 hour(s)	Photobiological safety according to EN 62471 RG1	
Switching Cycle	50,000	Operating and Electrical	
Lighting Technology	LED	Line Frequency	- Hz
Flux measurement reference	Narrow Cone	Input Frequency	- Hz
		Power Consumption	6.7 W
		Lamp Current (Nom)	650 mA
		Wattage Equivalent	35 W
		Starting Time (Nom)	0.5 s
		Warm-up time to 60% light	0.5 s
		Power Factor (Fraction)	0.7
		Voltage (Nom)	ac electronic 12 V
Light Technical		Temperature	
Color Code	930 [CCT of 3000K]	T-Case Maximum (Nom)	92 °C
Beam Angle (Nom)	36 degree(s)		
Luminous Flux	440 lm		
Luminous Intensity (Nom)	1,400 cd		
Color Designation	White (WH)		
Correlated Color Temperature (Nom)	3000 K		
Luminous Efficacy (rated) (Nom)	65 lm/W		
Color Consistency	<3		
Color rendering index (CRI)	97		
LLMF At End Of Nominal Lifetime (Nom)	70 %		

MASTER LEDspot ExpertColor LV

Controls and Dimming

Dimmable	Only with specific dimmers
----------	----------------------------

Mechanical and Housing

Bulb Shape	MR16
Net Weight (Piece)	0.052 kg

Approval and Application

Energy Efficiency Class	G
Suitable For Accent Lighting	Yes
Energy Consumption kWh/1000 h	7 kWh
EPREL Registration Number	624223
CE mark	Yes
EU RoHS compliant	Yes
EyeComfort	Yes

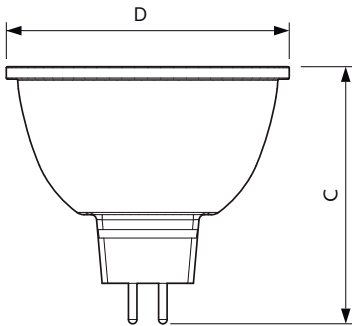
Application Conditions

can it be used in closed luminaires	No
-------------------------------------	----

Product Data

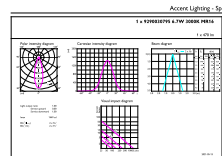
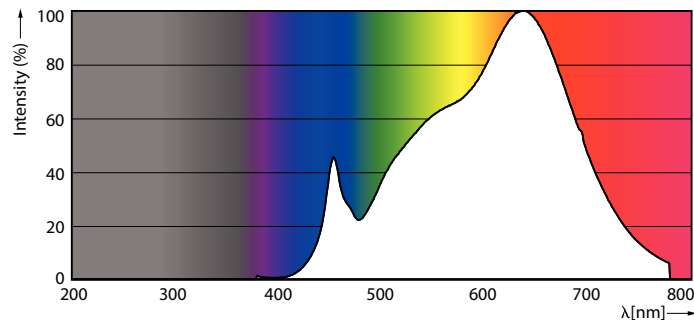
Order product name	MAS LED ExpertColor 6.7-35W MR16 930 36D
Full product name	MAS LED ExpertColor 6.7-35W MR16 930 36D
Full product code	871951435861400
Order code	929003079502
Material Nr. (12NC)	929003079502
Numerator - Quantity Per Pack	1
EAN/UPC - Product/Case	8719514358614
Numerator - Packs per outer box	10
EAN/UPC - Case	8719514358621

Dimensional drawing



Product	D	C
MAS LED ExpertColor 6.7-35W MR16 930 36D	50.5 mm	46 mm

Photometric data



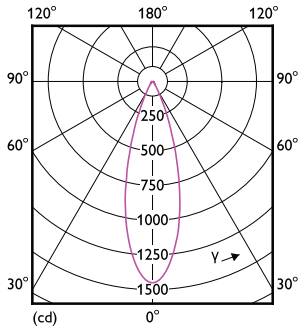
Copyright: Philips Lighting B.V. Page 1/1

Spectral Power Distribution Colour - MAS LED ExpertColor 6.7-35W MR16 930 36D

Accent Lighting Spots - MAS LED ExpertColor 6.7-35W MR16 930 36D

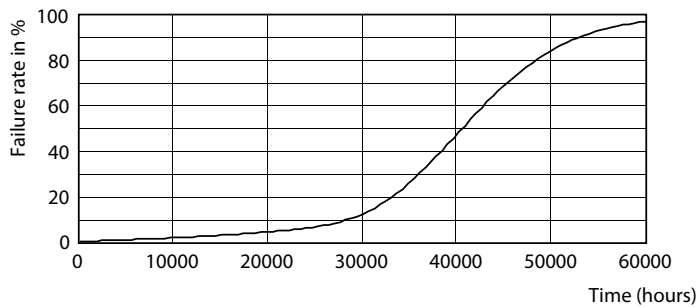
MASTER LEDspot ExpertColor LV

Photometric data

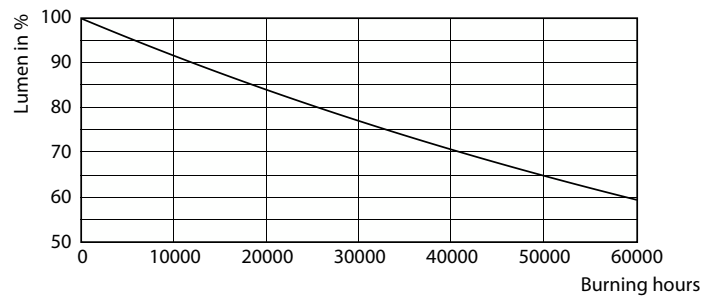


Light Distribution Diagram - MAS LED ExpertColor 6.7-35W MR16 930 36D

Lifetime



Life Expectancy Diagram



Lumen Maintenance Diagram - MAS LED ExpertColor 6.7-35W MR16 930 36D

