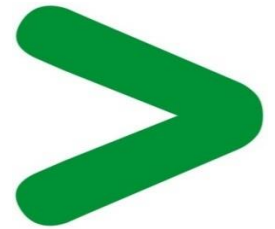
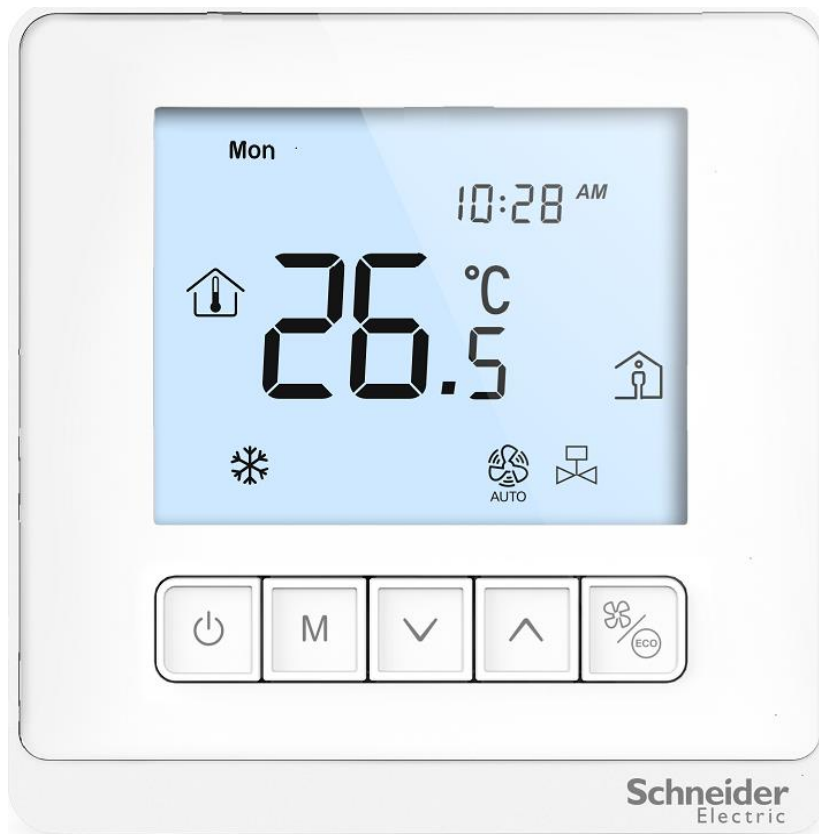
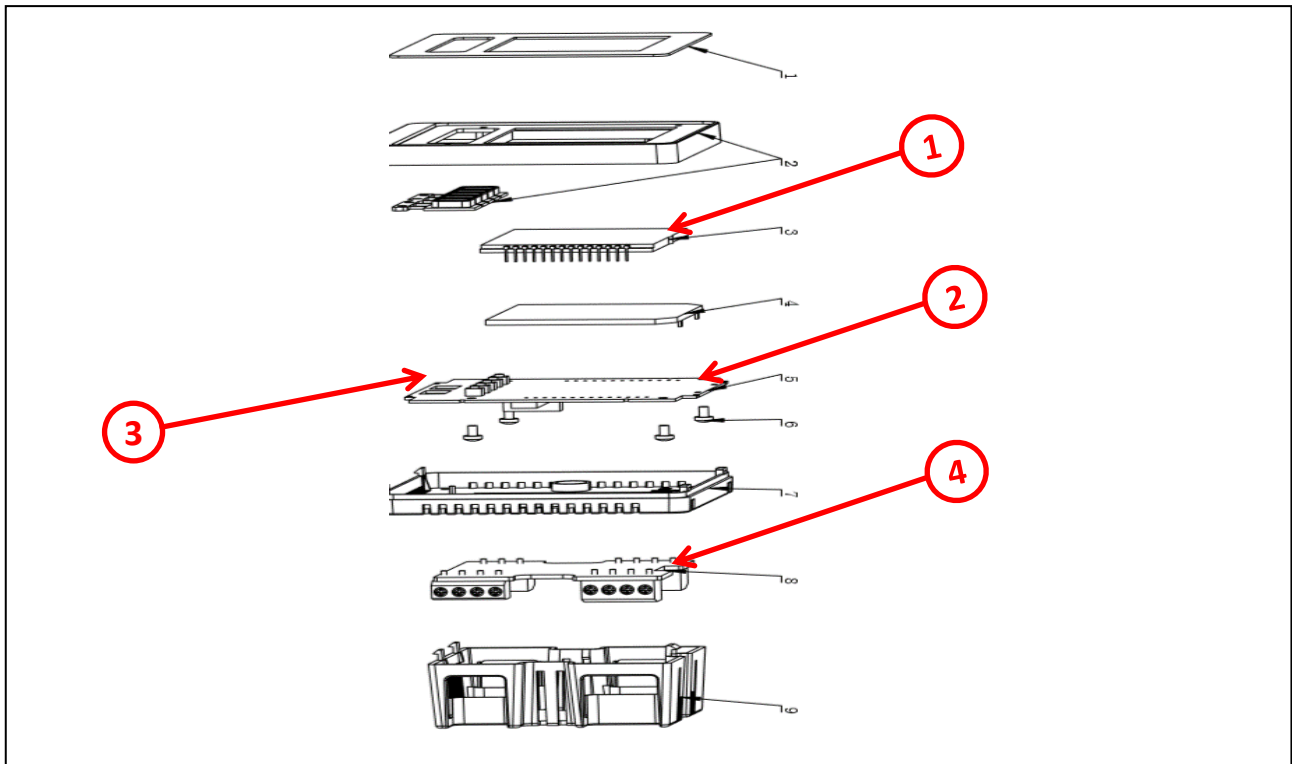


Product End of Life Instructions

SpaceLogic, Thermostat, FCU, LCD, Modbus, 4P, 240V, XS, White



End of Life Instructions



Recommendation	Number on drawing	Component / Material	Weight (in g)	Comment
To be depolluted	②	Electronic Board (Communication) > 10cm ²	14,7	PCBA
To be depolluted	③	Other battery	0,8	The battery, CR1220(Li button battery)
To be depolluted	④	Electronic Board (Power) > 10cm ²	55,6	PCBA
To be depolluted	①	LCD (surface > 100cm ²) and all those back-lighted with gas discharge lamps	18,7	TC903 liquid crystal area is 20 cm ²

Product description

Manufacturer identification	Schneider Electric Industries SAS
Brand name	Schneider Electric
Product function	To control FAN coil units to match with the setpoint
Product reference	TC903-3A4DLMSA
Additional similar product references	TC903-3A4DLMSA TC903-3A2L TC903-3A4LA TC903-3A4LMA TC903-3A4DLSA TC903-4FMSA TC903-3A4DPSA TC903-3A4DPMSA TC903-3A2P-24 TC903-3A4DPMSA-24 TC907-3A4DLMSA TC907-3A2L TC907-3A4LA TC907-3A4LMA TC907-3A4DLSA TC907-4FMSA TC907-3A4DPMSA TC907-3A4DPSA TC907-3A2P-24 TC907-3A4DPMSA-24
Total representative product mass	166.5 g
Representative product dimensions	86mm x 86mm x 40mm
Accessories	four screws
Date of information release	3/2020

Additional information

Legal information

This product family is in the scope of European Union directive 2012/19/EU on Waste Electrical and Electronic Equipment (WEEE). The product family must be disposed according to the legislation of the country. This document is intended for use by end of life recyclers or treatment facilities. It provides the basic information to assure an appropriate end of life treatment for the components and materials of the product.

In case of special transportation: transportation method

No special transportation

Recyclability potential

42% Based on "ECO'DEEE recyclability and recoverability calculation method" (version V1, 20 Sep. 2008 presented to the French Agency for Environment and Energy Management: ADEME).

Schneider Electric Industries SAS
 Country Customer Care Center
<http://www.schneider-electric.com/contact>
 35, rue Joseph Monier
 CS 30323
 F- 92506 Rueil Malmaison Cedex
 RCS Nanterre 954 503 439
 Capital social 896 313 776 €
www.schneider-electric.com

Published by Schneider Electric

ENVEOLI2001001_V1

© 2019 - Schneider Electric – All rights reserved

3/2020