

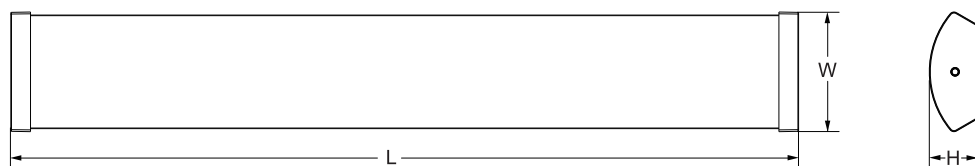
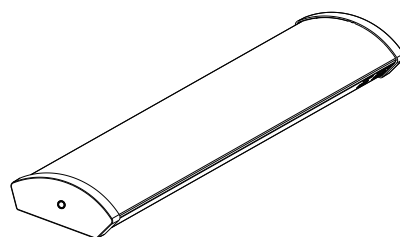
LED Ceiling Light Linear

Item Code

CCT

kg

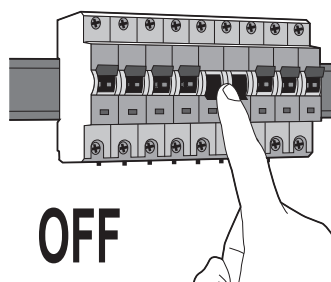
542005039700	3000K	2.8kg
542005039800	4000K	2.8kg
542005039900	3000K	3.3kg
542005040000	4000K	3.3kg



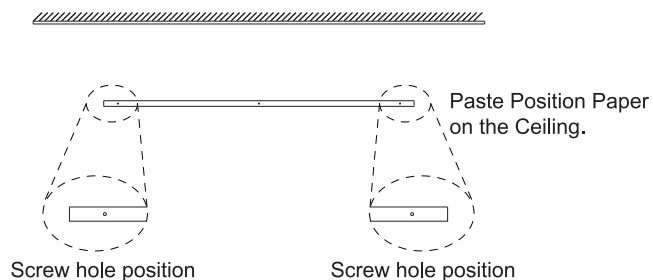
Model	L (mm)	W (mm)	H (mm)
LED Linear-E CL12 40W	1200	182	74
LED Linear-E CL15 50W	1500	182	74

Surface Mounted

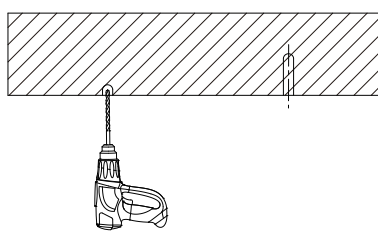
①



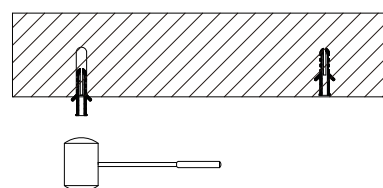
②



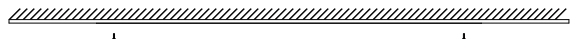
③



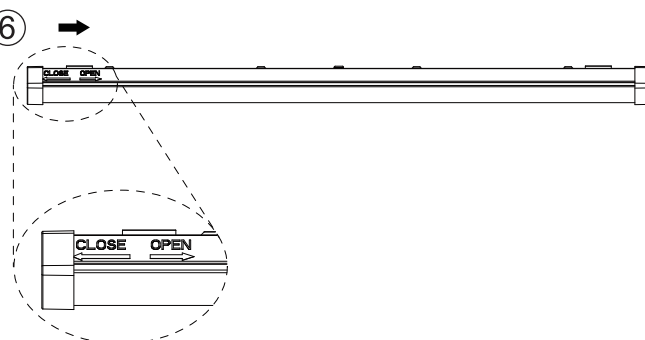
④

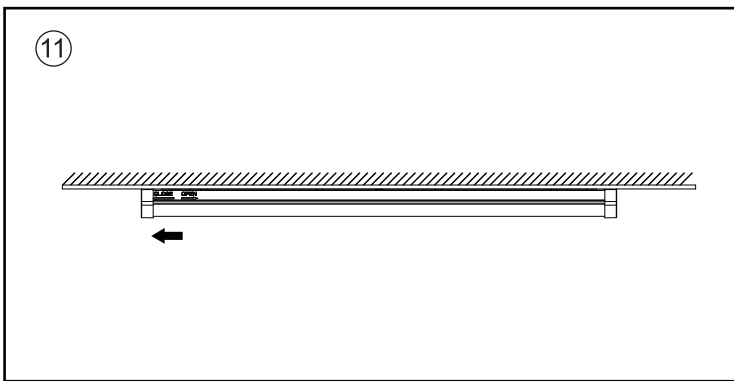
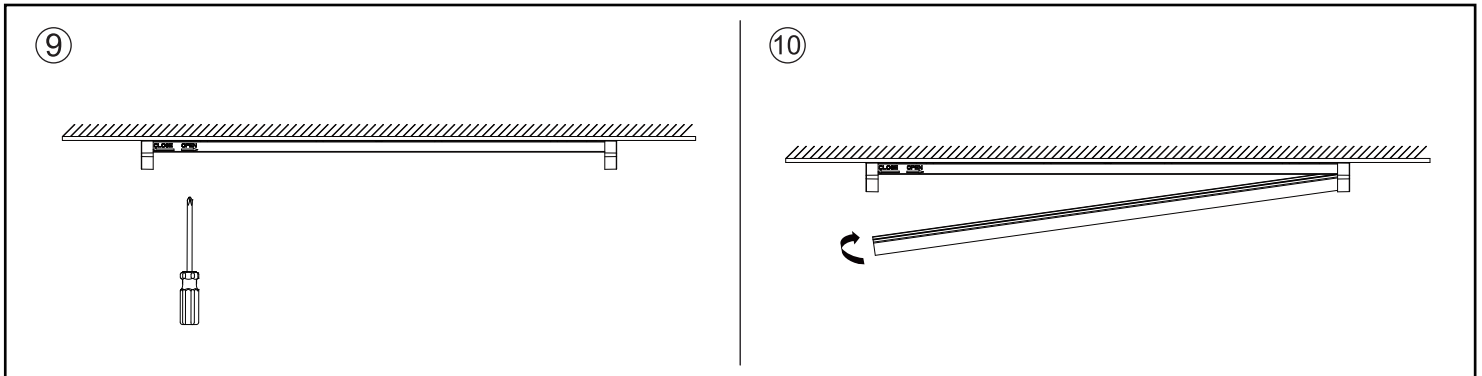
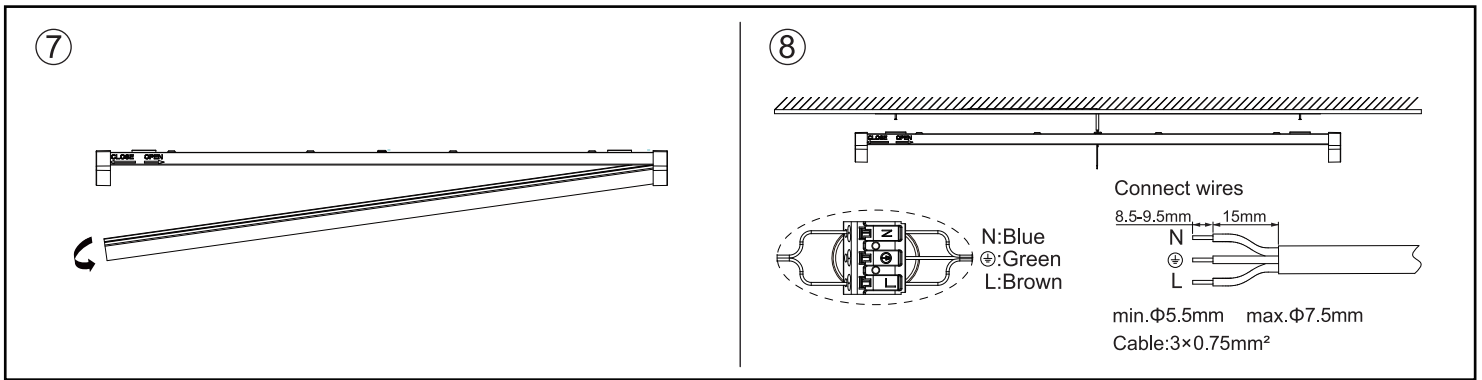


⑤

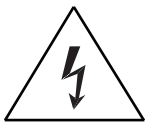


⑥





Caution: Any operation on LED module is forbidden while power-on.



For non-user replaceable light sources.
The light source contained in this luminaire shall only be replaced by the manufacturer or his service agent or a similar qualified person.

