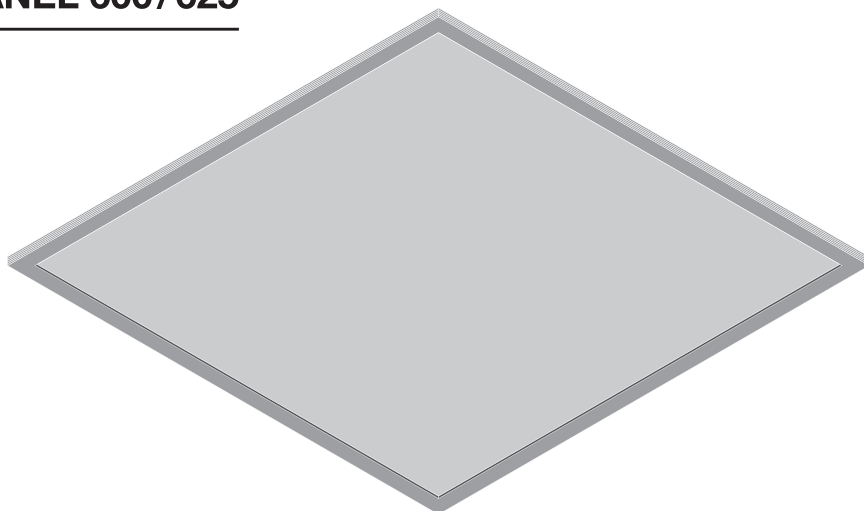
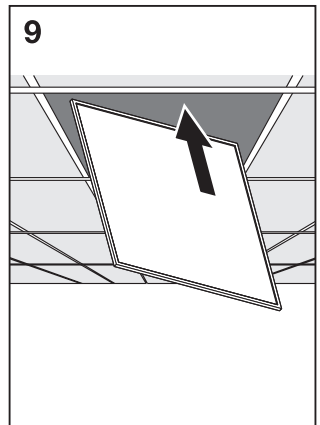
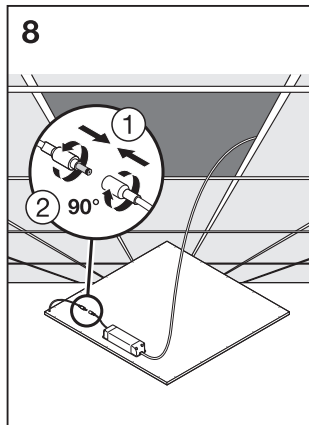
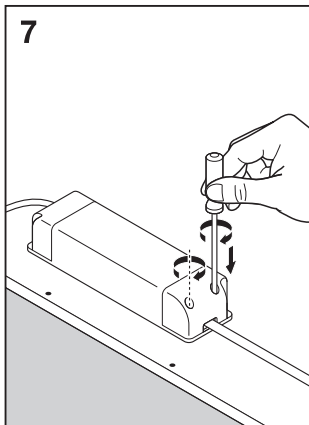
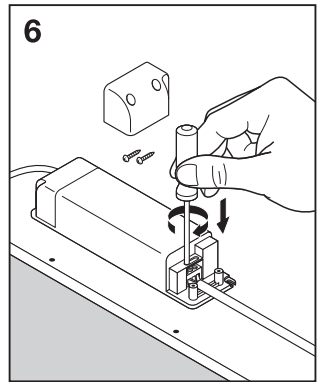
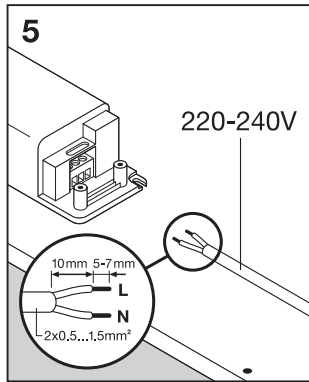
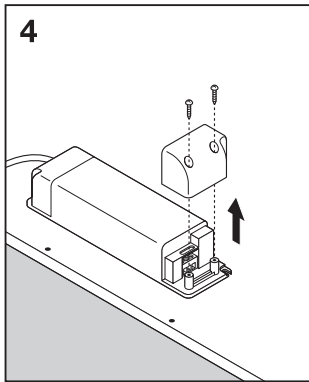
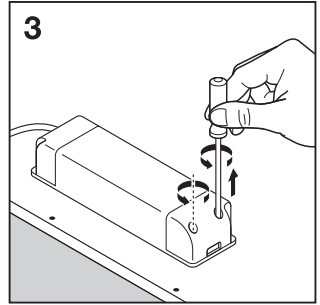
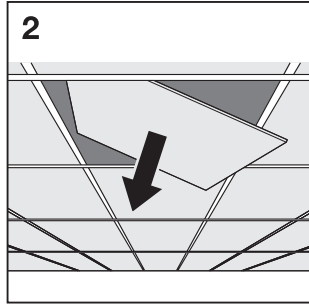
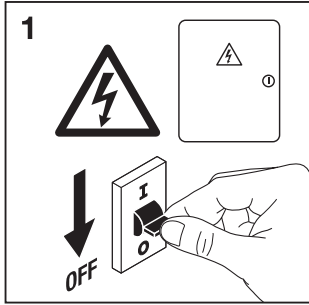
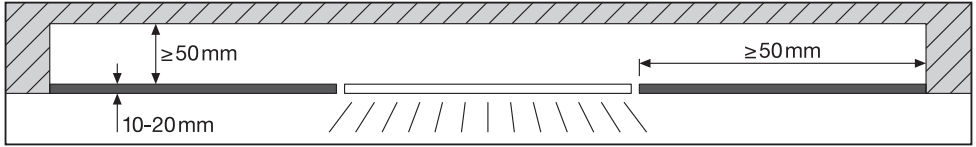


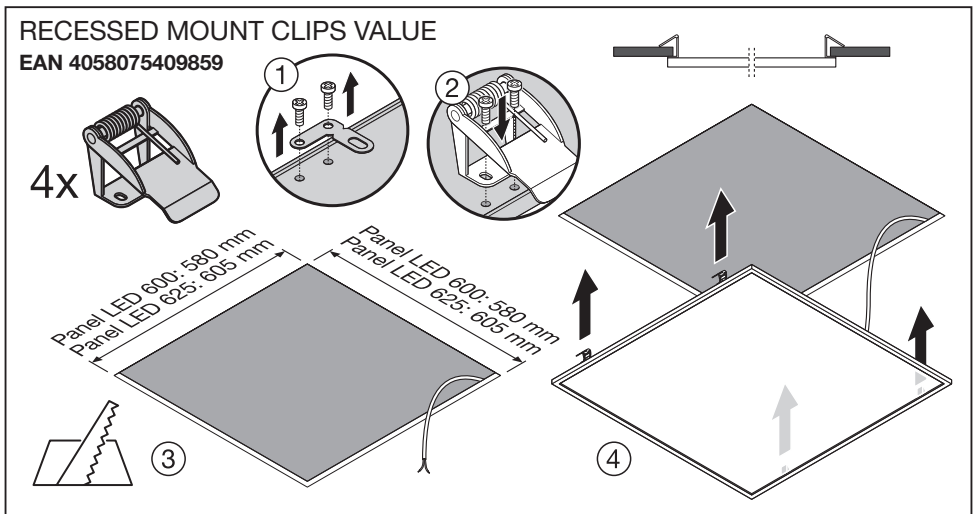
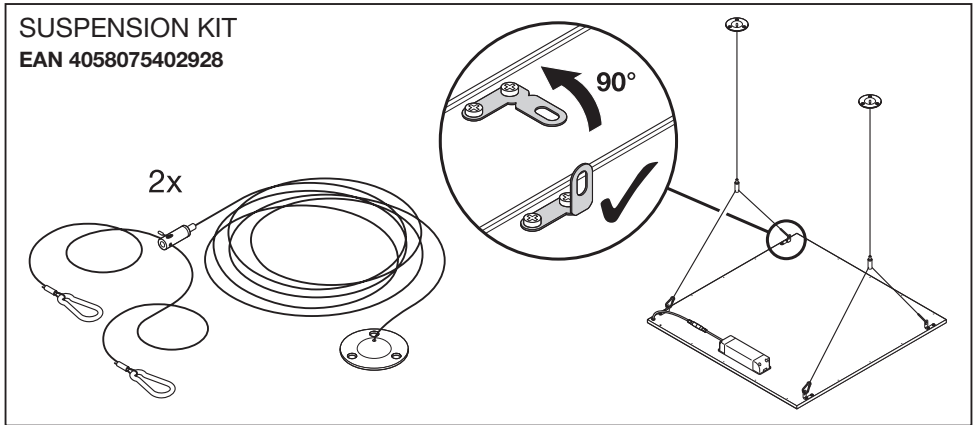
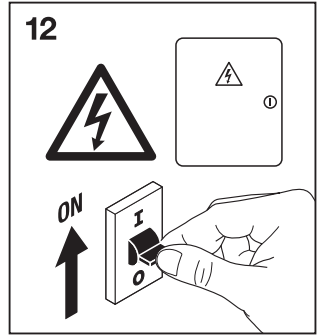
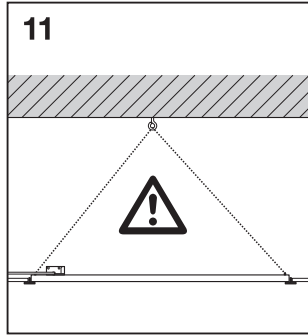
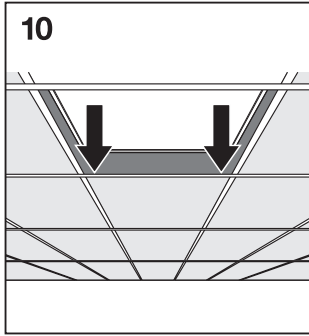
PANEL 600/625



	EAN	l x w x h [mm]	W	lm	lm/W	K	IP	IK
PANEL 600 36W/3000K OP	4058075113060	595 x 595 x 12.2	36	4320	120	3000	20	03
PANEL 600 36W/4000K OP	4058075113084	595 x 595 x 12.2	36	4320	120	4000	20	03
PANEL 600 36W/3000K MP	4058075113107	595 x 595 x 12.2	36	4320	120	3000	20	03
PANEL 600 36W/4000K MP	4058075113121	595 x 595 x 12.2	36	4320	120	4000	20	03
PANEL 625 36W/3000K OP	4058075113145	620 x 620 x 12.2	36	4320	120	3000	20	03
PANEL 625 36W/4000K OP	4058075113183	620 x 620 x 12.2	36	4320	120	4000	20	03
PANEL 625 36W/3000K MP	4058075113206	620 x 620 x 12.2	36	4320	120	3000	20	03
PANEL 625 36W/4000K MP	4058075113220	620 x 620 x 12.2	36	4320	120	4000	20	03
PANEL 600 36W/3000K OP IP54	4058075149489	595 x 595 x 12.6	36	4320	120	3000	54/20	06
PANEL 600 36W/4000K OP IP54	4058075149502	595 x 595 x 12.6	36	4320	120	4000	54/20	06
PANEL 625 36W/3000K OP IP54	4058075149526	620 x 620 x 12.6	36	4320	120	3000	54/20	06
PANEL 625 36W/4000K OP IP54	4058075149540	620 x 620 x 12.6	36	4320	120	4000	54/20	06

	EAN	θ _{1/2} (°C)	V _{AC}	Hz	∠	PF	R _a	⚖️
PANEL 600 36W/3000K OP	4058075113060	-10...+40	220-240 V	50/60 Hz	120°	> 0.9	≥80	2.7 kg
PANEL 600 36W/4000K OP	4058075113084	-10...+40	220-240 V	50/60 Hz	120°	> 0.9	≥80	2.7 kg
PANEL 600 36W/3000K MP	4058075113107	-10...+40	220-240 V	50/60 Hz	90°	> 0.9	≥80	2.7 kg
PANEL 600 36W/4000K MP	4058075113121	-10...+40	220-240 V	50/60 Hz	90°	> 0.9	≥80	2.7 kg
PANEL 625 36W/3000K OP	4058075113145	-10...+40	220-240V	50/60 Hz	120°	> 0.9	≥80	2.8 kg
PANEL 625 36W/4000K OP	4058075113183	-10...+40	220-240V	50/60 Hz	120°	> 0.9	≥80	2.8 kg
PANEL 625 36W/3000K MP	4058075113206	-10...+40	220-240 V	50/60 Hz	90°	> 0.9	≥80	2.8 kg
PANEL 625 36W/4000K MP	4058075113220	-10...+40	220-240 V	50/60 Hz	90°	> 0.9	≥80	2.8 kg
PANEL 600 36W/3000K OP IP54	4058075149489	-10...+40	220-240 V	50/60 Hz	120°	> 0.9	≥80	3.2 kg
PANEL 600 36W/4000K OP IP54	4058075149502	-10...+40	220-240V	50/60 Hz	120°	> 0.9	≥80	3.2 kg
PANEL 625 36W/3000K OP IP54	4058075149526	-10...+40	220-240 V	50/60 Hz	120°	> 0.9	≥80	3.2 kg
PANEL 625 36W/4000K OP IP54	4058075149540	-10...+40	220-240 V	50/60 Hz	120°	> 0.9	≥80	3.2 kg



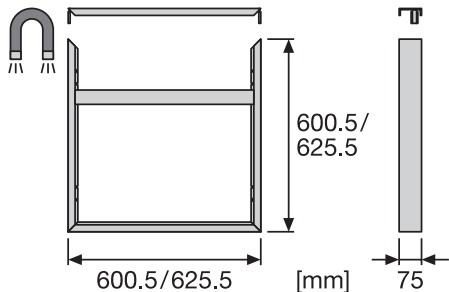


PL 600 SURFACE MOUNT KIT H75

EAN 4058075472914

PL 625 SURFACE MOUNT KIT H75

EAN 4058075402938

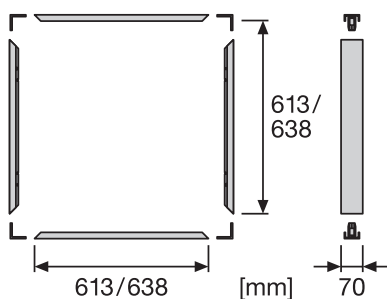


PL 600 SURFACE MOUNT KIT H70 VAL

EAN 4058075402843

PL 625 SURFACE MOUNT KIT H70 VAL

EAN 4058075402867

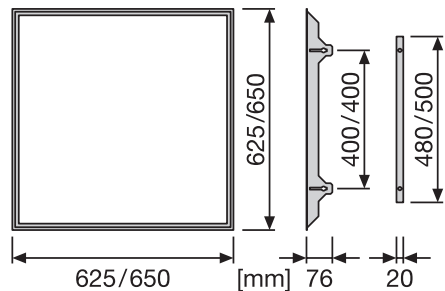


PL 600 RECESSED MOUNT FRAME

EAN 4058075402881

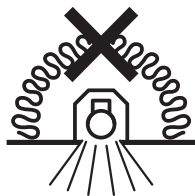
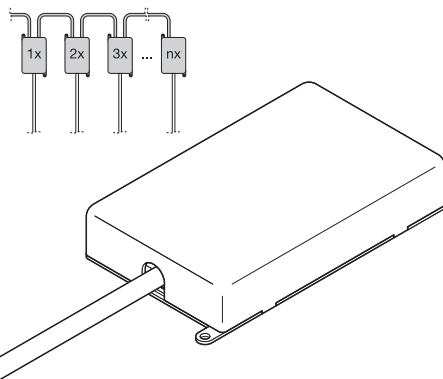
PL 625 RECESSED MOUNT FRAME

EAN 4058075402904



CONNECTOR BOX 5POLE L/N 4x

EAN 4058075473010



RoHS



C10449057

G11039278

12.11.20



LEDVANCE GmbH
Steinerne Furt 62
86167 Augsburg, Germany
www.ledvance.com