



MASTER LEDspot ExpertColor AR111

MAS ExpertColor 10.8-50W 927 AR111 40D

MASTER LEDspot LV ExpertColor creates a warm and comfortable ambience for hospitality venues, homes and restaurants. It creates such an ambience with superior lighting that has a customized spectrum, high CRI, and deep dimming feature. The result? A beautiful lighting experience. What's more, the innovative, trimless lens design will suit almost any interior decor with its clean and neat look. In addition, you can take advantage of the full ExpertColor family, which also includes LEDspot MV and LEDspot Par lamps.

Product data

General Information	
Cap-Base	G53 [G53]
Nominal lifetime	40,000 hour(s)
Switching Cycle	50,000
Lighting Technology	LED
Flux measurement reference	Narrow Cone
Light Technical	
Color Code	927 [CCT of 2700K]
Beam Angle (Nom)	40 degree(s)
Luminous Flux	600 lumen
Luminous Intensity (Nom)	1,200 cd
Color Designation	Warm White (WW)
Correlated Color Temperature (Nom)	2700 K
Luminous Efficacy (rated) (Nom)	55 lm/W
Color Consistency	<4
Color rendering index (CRI)	95
LLMF At End Of Nominal Lifetime (Nom)	70 %

Luminous Flux in 90° Cone (Rated)	600 lumen
Operating and Electrical	
Line Frequency	50 to 60 Hz
Input Frequency	50 to 60 Hz
Power Consumption	10.8 W
Lamp Current (Nom)	1,000 mA
Wattage Equivalent	50 W
Starting Time (Nom)	0.5 s
Warm-up time to 60% light	0.5 s
Power Factor (Fraction)	0.7
Voltage (Nom)	ac electronic 12 V
Temperature	
T-Case Maximum (Nom)	70 °C

MASTER LEDspot ExpertColor AR111

Controls and Dimming

Dimmable	Only with specific dimmers
----------	----------------------------

Mechanical and Housing

Bulb Finish	Clear
Bulb Shape	AR111

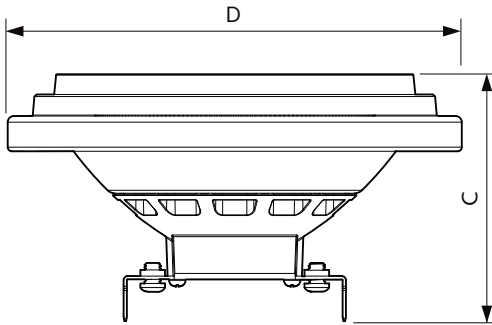
Approval and Application

Suitable For Accent Lighting	Yes
Energy Consumption kWh/1000 h	11 kWh
EPREL Registration Number	648,254
CE mark	Yes
EU RoHS compliant	Yes

Product Data

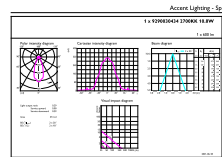
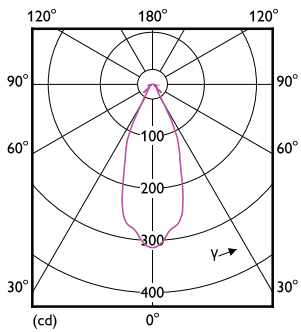
Full product code	871951433395600
Order product name	MAS ExpertColor 10.8-50W 927 AR111 40D
Order code	929003043402
Numerator - Quantity Per Pack	1
Numerator - Packs per outer box	6
Material number (12NC)	929003043402
Full product name	MAS ExpertColor 10.8-50W 927 AR111 40D
EAN/UPC - Case	8719514333963

Dimensional drawing



Product	D	C
MAS ExpertColor 10.8-50W 927 AR111 40D	111 mm	61 mm

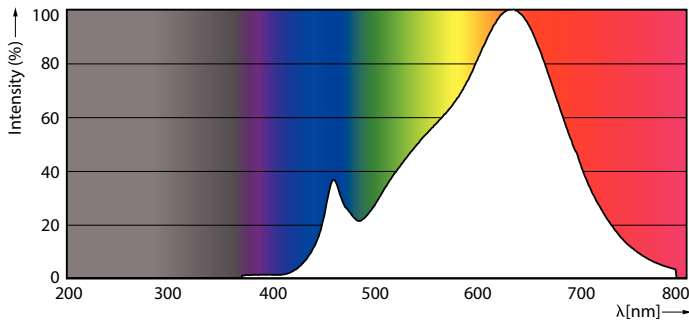
Photometric data



Light Distribution Diagram - MAS ExpertColor 10.8-50W 927 AR111 40D

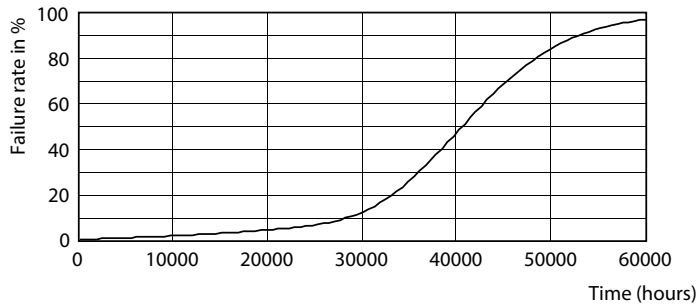
MASTER LEDspot ExpertColor AR111

Photometric data

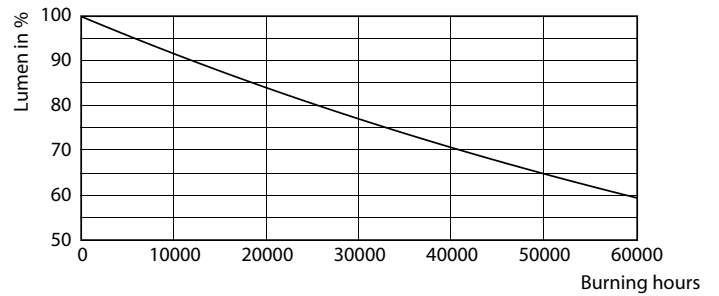


Spectral Power Distribution Colour - MAS ExpertColor 10.8-50W 927 AR111 40D

Lifetime



Life Expectancy Diagram - MAS ExpertColor 10.8-50W 927 AR111 40D



Lumen Maintenance Diagram - MAS ExpertColor 10.8-50W 927 AR111 40D

