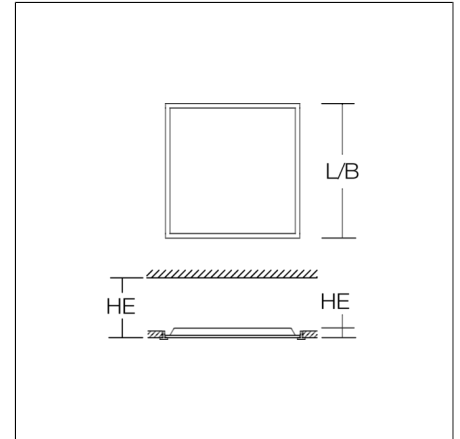




Lay-in luminaires
4051859501343
L 595, B 595

Lay-in luminaires
white



Lay-in luminaire for ceiling systems with visible mounting rails. Housing: sheet steel, powder-coated. Luminaire frame: aluminium, powder-coated. Diffuser made of non-yellowing plastic (PMMA) microprismatic. LED backlight technology for homogeneous illumination of the entire light-emitting surface. External driver. MultiLumen: 4 steps adjustable luminous flux. Factory setting is step 2. Perfect for office areas (UGR ≤ 19) and environments with computer screens in accordance with EN 12464-1.

Product specifications

Length L	595 mm
Width B	595 mm
Cut-out length LA	575 mm
Cut-out width BA	575 mm
Luminaire: recess height HEL	33 mm
Installation space length LE	600 mm
Installation space width BE	600 mm
Installation space height HE	160 mm
Weight	2.05 kg
Light source	LED
Colour temperature	4000 K
Rated luminous flux	3100 lm 3500 lm 4000 lm 4400 lm
System power	24 W 28 W 32 W 36 W
System efficiency	122 lm/W 125 lm/W 125 lm/W 129 lm/W
Glare evaluation UGR (4H 8H)	17,6 18,1 18,5 18,9
Beam angle	91°/87° 91°/88° 91°/88° 91°/88°
Rated life	50000 h (L80/B50)
Colour rendering index (CRI)	80
Colour tolerance	3
Photobiological safety according to EN 62471	Risk group 0
Driver	Converter
Control	on/off
Voltage	220 - 240 V / 50 - 60 Hz
Luminaires on B10A fuse	7
Luminaires on B16A fuse	13
Luminaires on C10A fuse	11
Luminaires on C16A fuse	18
Inrush current / Inrush current duration	38.8 A / 100 µs
CIE Flux Code / CEN Flux Code	62 88 96 100 100
Type of protection	IP 40 on room side IP 20
Protection class	II
Filament test	650°C - 30 seconds
Impact resistance	IK02
Ambient temperature	-20 °C ... + 40 °C
Safety marks	Do not cover the recessed luminaire!
Conformity mark	CE, EAC, UKCA

KALEEA

312463.002.1.790 | Recessed luminaires

Accessories



982727.002
Surface mounting frame



982703.002
Through-wiring box



982811.010
Safety cable set



982957.002
Mounting frame for installation in suspended ceilings.