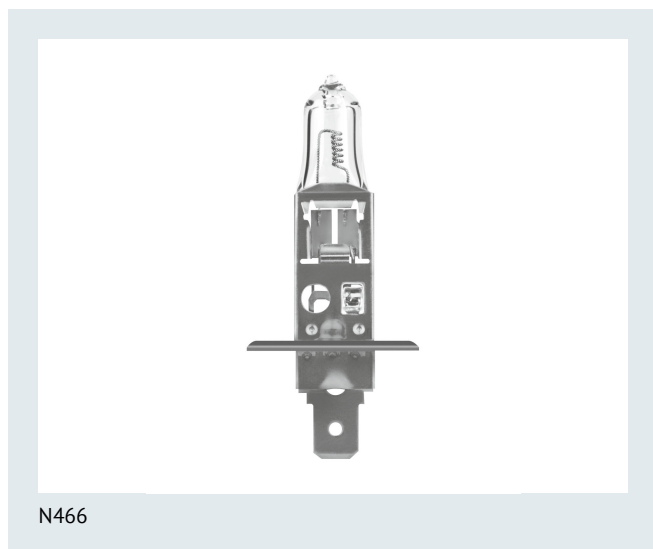




NEOLUX[®]
GERMAN TECHNOLOGY

Halogen Standard 70 W 24 V P14.5s



N466

Product family benefits

- Powerful light output
- Suitable for the most common 24 V headlights
- Reliable manufacturer
- Affordable
- Reliable products

Product family features

- Vibration-resistant
- Designed specifically for 24 V
- ECE certified lamps
- Good and reliable quality thanks to German technology
- Durable

Areas of application

- Headlight



N466

Product information

Application (Category and Product specific)	Halogen headlight lamp
---	------------------------

Electrical data

Power input	84 W
Test voltage	28.0 V
Nominal wattage	70.00 W
Nominal voltage	24.0 V

Photometrical data

Color temperature	3200 K
Luminous flux	1900 lm
Luminous flux tolerance	±15 %

Dimensions & weight

Product weight	5.88 g
Length	67.5 mm
Diameter	9 mm

Lifespan

Lifespan Tc	650 h
Lifespan B3	400 h

Additional product data

Base (standard designation)	P14.5s
-----------------------------	--------

Capabilities

Technology	Halogen lamp
------------	--------------

Certificates & standards

ECE category	H1
British standard	466

Logistical data

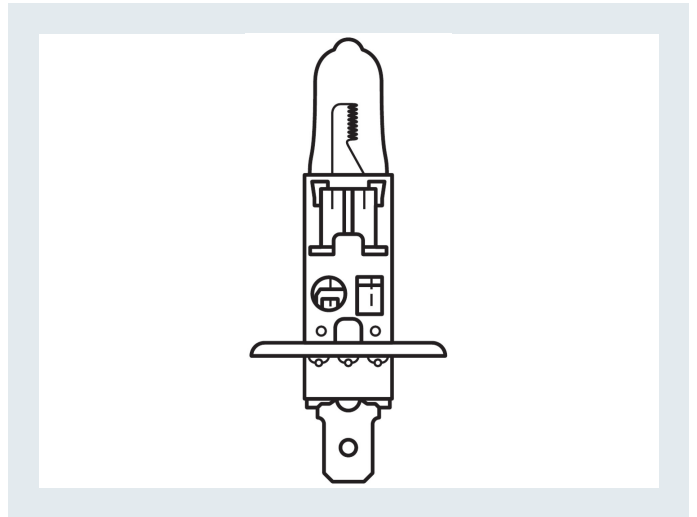
Order reference	N466
-----------------	------

Environmental information

Date of Declaration	02-12-2022
Primary Article Identifier	4006584359240 4006584051458 4008321760418 4052899198463 4052899995697 5011274046606 5055175230108
Candidate List Substance 1	No declarable substances contained
Declaration No. in SCIP database	In work

Packaging Information

Packaging description	EAN	Packaging type	Amount of article
NEOLUX N466	4008321760418	Folding box	1



NEOLUX[®]
GERMAN TECHNOLOGY

NEOLUX Automotive Lighting
OSRAM GmbH

Marcel-Breuer-Str 4
80807 Munich, Germany

Phone +49 89 6213-0
Fax +49 89 6213-2020

www.neolux-lighting.com