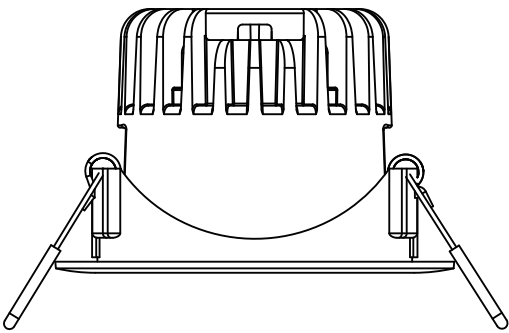
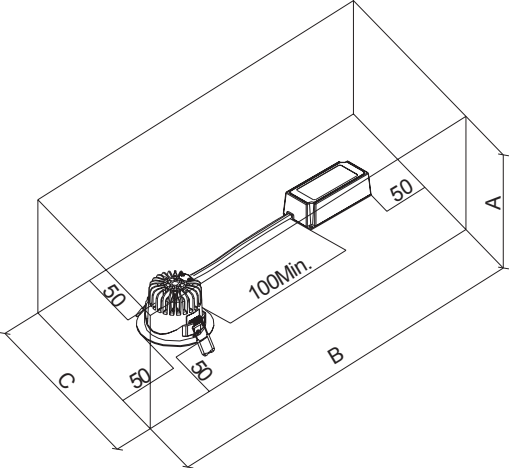
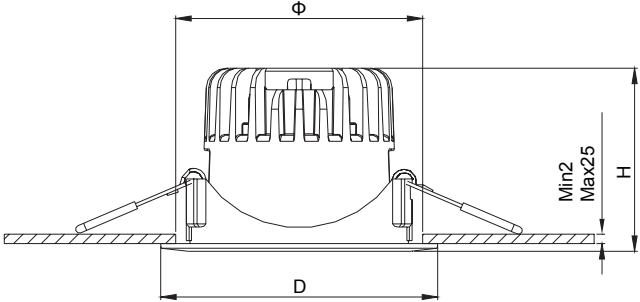


LED Spot

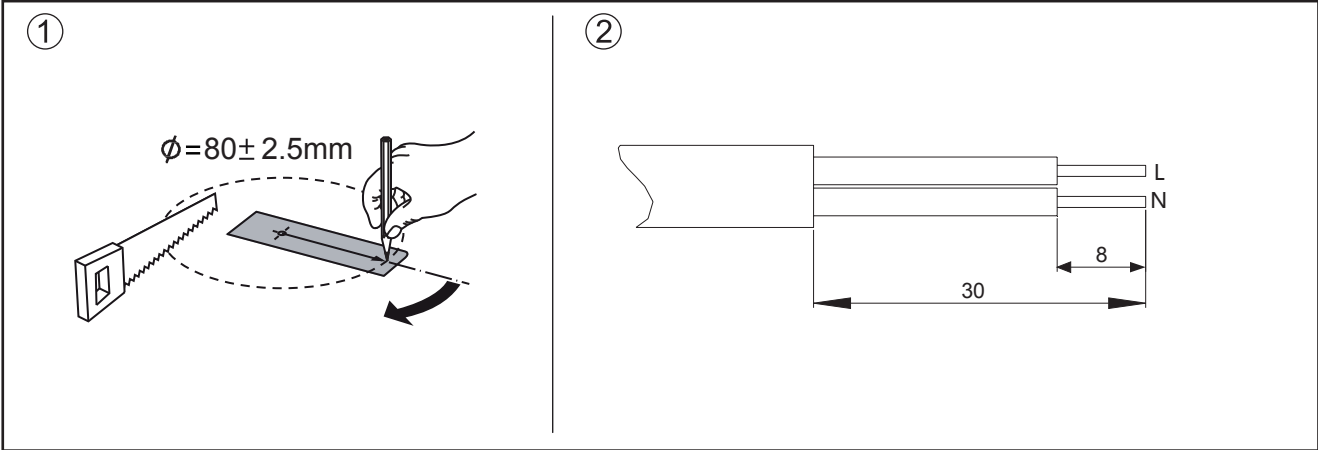
Type	CCT	kg	IP
LED SP-RA-HQ2 8W Dim-IP20	2700K	0.3kg	IP20
	3000K	0.3kg	IP20
	4000K	0.3kg	IP20
LED SP-RA-HQ2 8W Dim-IP44	2700K	0.4kg	IP44
	3000K	0.4kg	IP44
	4000K	0.4kg	IP44

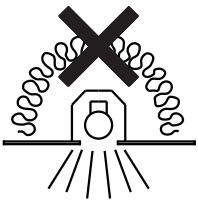
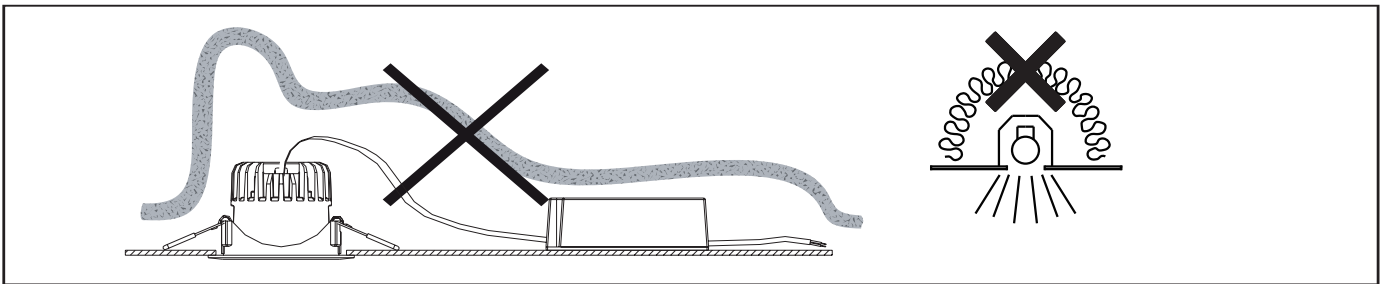
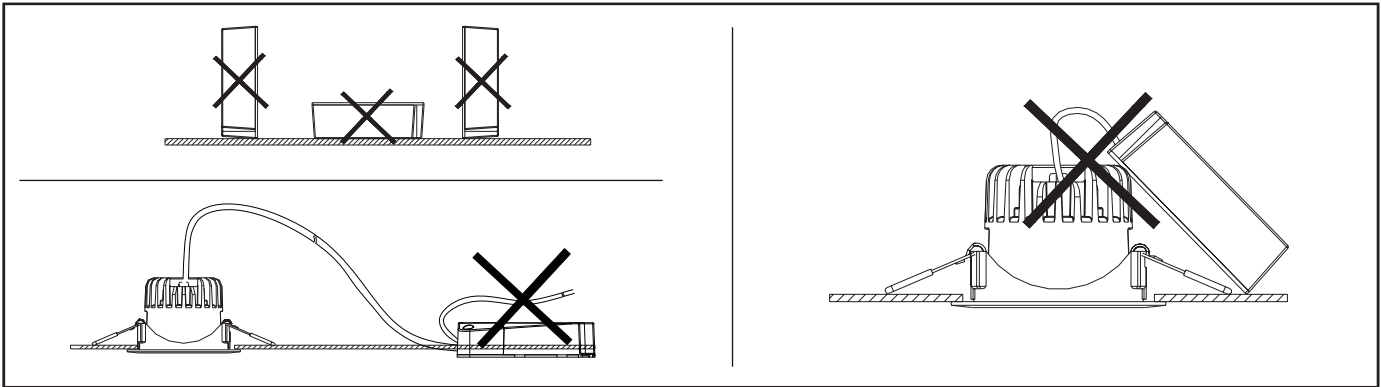
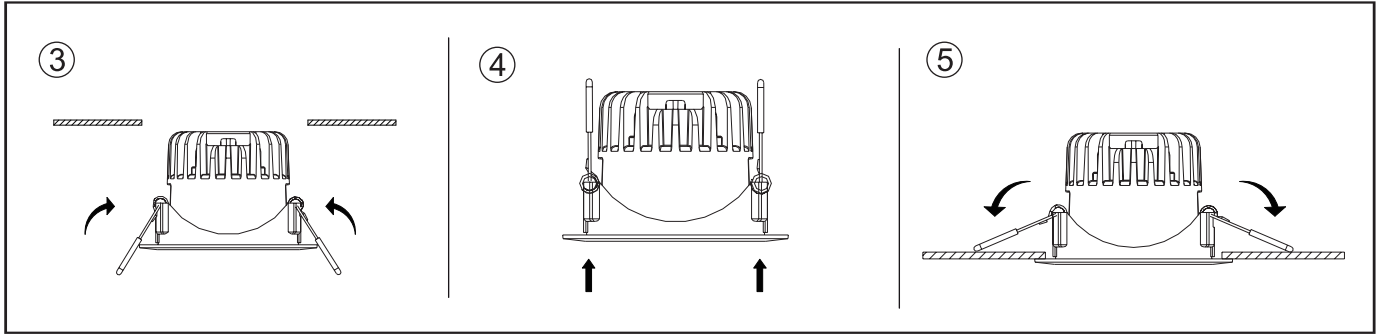



Type	A (mm)	B (mm)	C (mm)
LED SP-RA-HQ2 8W Dim-IP20	100	400	200
LED SP-RA-HQ2 8W Dim-IP44	100	400	200



Type	H (mm)	φ (mm)	D (mm)
LED SP-RA-HQ2 8W Dim-IP20	60	80	90
LED SP-RA-HQ2 8W Dim-IP44	60	80	90





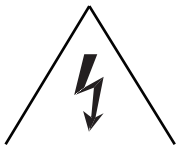
Luminaires not suitable for covering with thermally insulating material.
Leuchten sind nicht mit thermisch isolierenden Materialien abzudecken.

In case of damage to the wire, it has to be replaced only by the manufacturer, distributor or by an expert, to avoid risks.

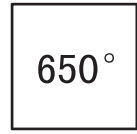
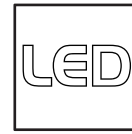
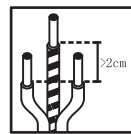
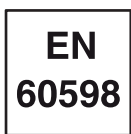
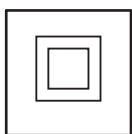


Caution: Any operation on LED module is forbidden while power-on.
Zur Vermeidung von Risiken müssen defekte Leitungen ausschließlich vom Hersteller, Inverkehrbringer oder Fachmann ausgetauscht werden.

Achtung: In Betrieb ist keine Arbeit am LED-Modul erlaubt.



For non-user replaceable light sources.
The light source contained in this luminaire shall only be replaced by the manufacturer or his service agent or a similar qualified person.



Suzhou Opplé Lighting Co., Ltd.
215200
East Side, Fenyang Road,
Fenhu Economic Development Zone,
Wujiang City, Jiangsu Province,
P.R.China

OPPLE Lighting B.V.
Materiaalweg 6-6A
5681 RJ Best
The Netherlands
service@opple.com
www.opple.com