



MASTER LEDspot ExpertColor LV



MAS LED ExpertColor 7.5-43W MR16 940 36D

MASTER LEDspot LV ExpertColor creates a warm and comfortable ambience for hospitality venues, homes and restaurants. It creates such an ambience with superior lighting that has a customized spectrum, high CRI, and deep dimming feature. The result? A beautiful lighting experience. What's more, the innovative, trimless lens design will suit almost any interior decor with its clean and neat look. In addition, you can take advantage of the full ExpertColor family, which also includes LEDspot MV and LEDspot Par lamps.

Product data

| General Information | | Luminous Flux in 90° Cone (Rated) | |
|---------------------------------------|--------------------|--|--------------------|
| Cap-Base | GU5.3 | | 520 lm |
| Nominal lifetime | 40,000 hour(s) | Photobiological safety according to EN 62471 RG1 | |
| Switching Cycle | 50,000 | Operating and Electrical | |
| Lighting Technology | LED | Line Frequency | - Hz |
| Flux measurement reference | Narrow Cone | Input Frequency | - Hz |
| | | Power Consumption | 7.5 W |
| Light Technical | | Lamp Current (Nom) | 720 mA |
| Color Code | 940 [CCT of 4000K] | Wattage Equivalent | 43 W |
| Beam Angle (Nom) | 36 degree(s) | Starting Time (Nom) | 0.5 s |
| Luminous Flux | 520 lm | Warm-up time to 60% light | 0.5 s |
| Luminous Intensity (Nom) | 1,650 cd | Power Factor (Fraction) | 0.7 |
| Color Designation | Cool White (CW) | Voltage (Nom) | ac electronic 12 V |
| Correlated Color Temperature (Nom) | 4000 K | Temperature | |
| Luminous Efficacy (rated) (Nom) | 69.00 lm/W | T-Case Maximum (Nom) | 93 °C |
| Color Consistency | <3 | | |
| Color rendering index (CRI) | 92 | | |
| LLMF At End Of Nominal Lifetime (Nom) | 70 % | | |

MASTER LEDspot ExpertColor LV

Controls and Dimming

| | |
|----------|----------------------------|
| Dimmable | Only with specific dimmers |
|----------|----------------------------|

Mechanical and Housing

| | |
|--------------------|----------|
| Bulb Shape | MR16 |
| Net Weight (Piece) | 0.052 kg |

Approval and Application

| | |
|-------------------------------|--------|
| Energy Efficiency Class | G |
| Suitable For Accent Lighting | Yes |
| Energy Consumption kWh/1000 h | 8 kWh |
| EPREL Registration Number | 624219 |
| CE mark | Yes |
| EU RoHS compliant | Yes |
| EyeComfort | Yes |

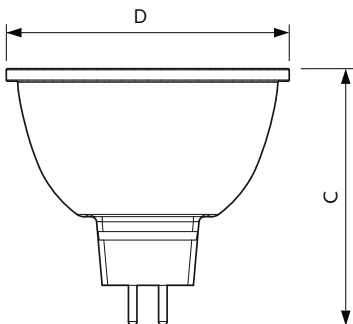
Application Conditions

| | |
|-------------------------------------|----|
| can it be used in closed luminaires | No |
|-------------------------------------|----|

Product Data

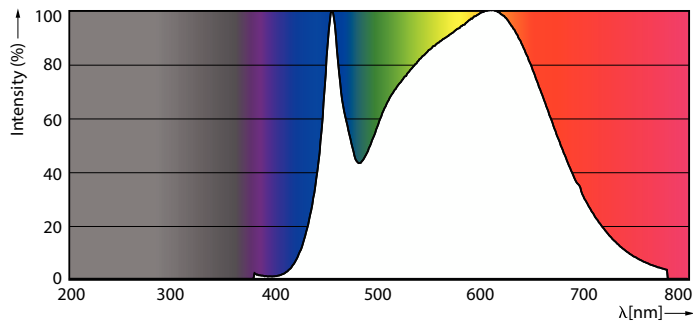
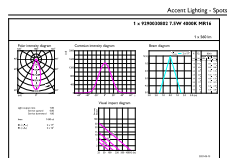
| | |
|---------------------------------|--|
| Order product name | MAS LED ExpertColor 7.5-43W MR16 940 36D |
| Full product name | MAS LED ExpertColor 7.5-43W MR16 940 36D |
| Full product code | 871951435875100 |
| Order code | 929003080202 |
| Material Nr. (12NC) | 929003080202 |
| Numerator - Quantity Per Pack | 1 |
| EAN/UPC - Product/Case | 8719514358751 |
| Numerator - Packs per outer box | 10 |
| EAN/UPC - Case | 8719514358768 |

Dimensional drawing



| Product | D | C |
|--|---------|-------|
| MAS LED ExpertColor 7.5-43W MR16 940 36D | 50.5 mm | 46 mm |

Photometric data

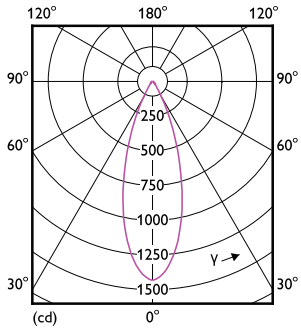


Accent Lighting Spots - MAS LED ExpertColor 7.5-43W MR16 940 36D

Spectral Power Distribution Colour - MAS LED ExpertColor 7.5-43W MR16 940 36D

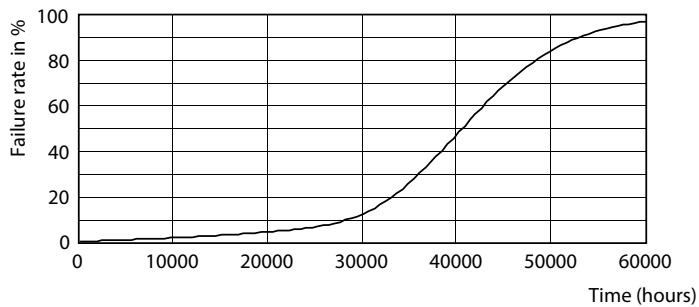
MASTER LEDspot ExpertColor LV

Photometric data

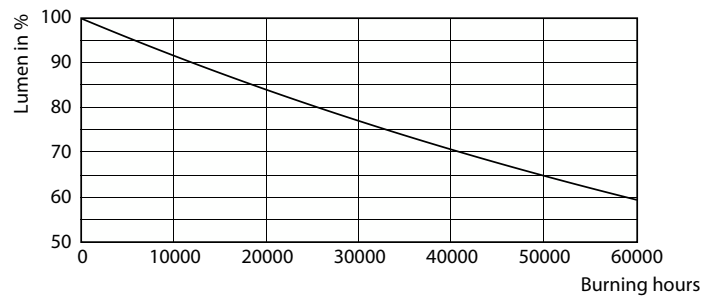


Light Distribution Diagram - MAS LED ExpertColor 7.5-43W MR16 940 36D

Lifetime



Life Expectancy Diagram



Lumen Maintenance Diagram - MAS LED ExpertColor 7.5-43W MR16 940 36D

