

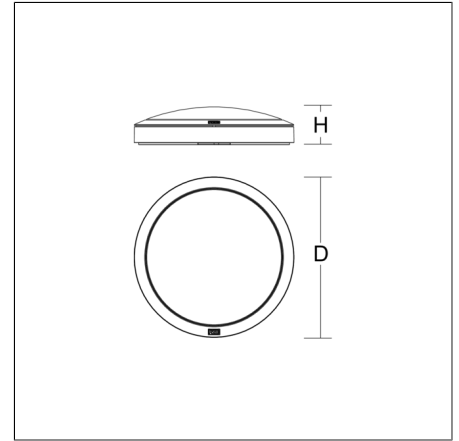
ROUNDED

582104.0031 | Ceiling and wall luminaires



Ceiling and wall luminaires
4051859774303
D 300, H 71

Ceiling mounting, Wall (surface)
anthracite metallic (DB703)



Decorative round LED surface-mounted luminaire for indoor and outdoor use. Base and housing made of corrosion resistant pressure die-cast aluminium, seawater resistant powder-coated. Standard Gore™ Protective Vents diaphragm valve to avoid condensation. Diffuser: crystal glass (satin finish) with diffuser fixing. Glass fastening: bayonet fixing. Uniform lighting achieved by the use of LED panel boards. Very easy installation thanks to plug & play connection. Drill hole deviations can be compensated to achieve precise positioning. The large connection compartment on the back for convenient connections is also ideal for through wiring. MultiLumen: 4 steps adjustable luminous flux. Factory setting is the lowest luminous flux. MultiColour: Colour temperature adjustable via switching element for 3000 K (factory setting) and 4000 K.

Product specifications

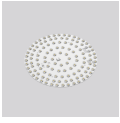
Diameter D	300 mm
Height H	71 mm
Weight	2.71 kg
Light source	LED
Colour temperature	3000 K 4000 K
Rated luminous flux	3000 K: 320 lm 820 lm 4000 K: 330 lm 850 lm
System power	3000 K: 3.5 W 9.5 W 4000 K: 3.5 W 9.5 W
System efficiency	3000 K: 91 lm/W 86 lm/W 4000 K: 94 lm/W 89 lm/W
Glare evaluation UGR (4H 8H)	3000 K: 18,5 21,8 4000 K: 18,6 21,9
Beam angle	115°
Rated life	50000 h (L90/B50)
Colour rendering index (CRI)	80
Colour tolerance	3
Photobiological safety according to EN 62471	Risk group 1
Driver	Converter
Control	on/off
Voltage	220 - 240 V / 50 Hz, 60 Hz
Inrush current / Inrush current duration	5 A / 150 µs
CIE Flux Code / CEN Flux Code	45 75 93 99 100
Type of protection	IP 66 ceiling mounting IP 66 wall mounting
Protection class	I
Filament test	960 °C
Impact resistance	IK07
Ambient temperature	-20 °C ... + 50 °C
Safety marks	D-mark
Conformity mark	CE, EAC

ROUNDED

582104.0031 | Ceiling and wall luminaires



Spareparts



982971.002
Replacement LED module

982970.002
Replacement glass