



HF-Regulator Intelligent Touch DALI for PL-T/C and TL5C

HF-Ri TD 1 26-42 PL-T/C E+

Intelligent high-frequency electronic dimming ballast, using DALI (Digital Addressable Lighting Interface according to IEC62386) or Touch and Dim push-button protocol for fluorescent lamps. Features Corridor Mode, programmable with Philips MultiOne. High-frequency operation improves light quality and lamp lifetime. Pre-empting upcoming legislation as it meets A1BAT requirements. The ballast is primarily designed for Indoor application. For outdoor application, the luminaire should be minimum Classland need to be sufficiently protected against water & dust. The installation should also be guard against any lightening surge or any other necessary electrical protection as deemed in such typical installation & application.

Product data

General Information	
Number of Lamps	1 piece/unit
Operating and Electrical	
Input Voltage	195-240 V
Line Frequency	50 to 60 Hz
Input Frequency	50 to 60 Hz
Earth Leakage Current (Max)	0.5 mA
Inrush Current Width	0.35 ms
Inrush Current Peak (Max)	27 A
Number of Products on MCB (16A Type B) (Nom)	28

Wiring	
Connector Type Input Terminals	WAGO 250 series
Connector Type Output Terminals	WAGO 250 series
Temperature	
Ambient temperature range	-25 °C to 50 °C
T-Case Lifetime (Max)	75 °C
T-Case Maximum (Max)	75 °C
Controls and Dimming	
Control Interface	TD

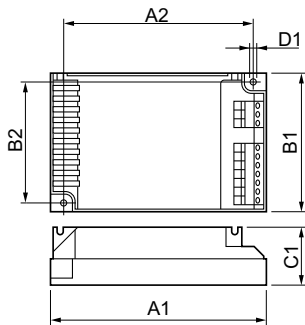
HF-Regulator Intelligent Touch DALI for PL-T/C and TL5C

Mechanical and Housing	
Housing	L 123x79x33
Approval and Application	
Ingress protection code	IP20 [Finger-protected]
Energy Efficiency Index	A1 BAT
Safety Standard	IEC 61347-2-3
Environmental Standard	ISO 14001
Approval Marks	EMC CE marking ENEC certificate CCC certificate
Product Data	
Full product code	871829124167600

Order product name	HF-Ri TD 1 26-42 PL-T/C E+
Order code	913700684766
Numerator - Quantity Per Pack	1
Numerator - Packs per outer box	12
Material number (12NC)	913700684766
Full product name	HF-Ri TD 1 26-42 PL-T/C E+
EAN/UPC - Case	8718291241683



Dimensional drawing



Product	D1	C1	A1	A2	B1	B2
HF-Ri TD 1 26-42 PL-T/C E	4.5 mm	33.0 mm	123.0 mm	111.0 mm	79.0 mm	67.0 mm
+						

