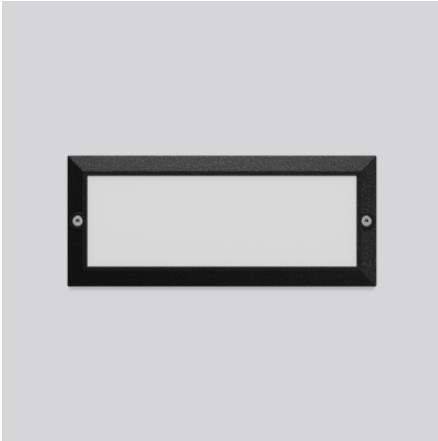


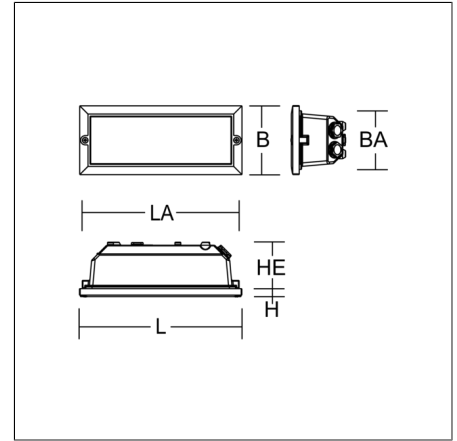
# BRICK STEPS

641306.0031.1 | Recessed luminaires



Recessed wall and step luminaires  
4051859141303  
L 236, B 100, H 5

wall (recessed)  
anthracite metallic (DB703)



Robust LED wall and step luminaires. Housing and cover frame: die-cast aluminium, powder-coated. Shock resistant plastic (polycarbonate) cover, opal. Driver integrated. With second cable entry for loop through. Recommended accessory: recessed support.

## Product specifications

Length L	236 mm
Width B	100 mm
Height H	5 mm
Cut-out length LA	228 mm
Cut-out width BA	85 mm
Installation space height HE	70 mm
Weight	410 g
Light source	LED
Colour temperature	4000 K
Rated luminous flux	200 lm
System power	6 W
System efficiency	33 lm/W
Glare evaluation UGR (4H 8H)	31,2
Beam angle	down 90°/72°/0°/72° up 90°/72°/0°/72°
Rated life	50000 h (L70/B10)
Colour rendering index (CRI)	80
Colour tolerance	3
Photobiological safety according to EN 62471	Risk group 1
Driver	Converter
Control	on/off
Voltage	220 - 240 V / 50 - 60 Hz
Luminaires on B10A fuse	31
Luminaires on B16A fuse	50
Luminaires on C10A fuse	52
Luminaires on C16A fuse	85
Inrush current / Inrush current duration	5 A / 50 µs
CIE Flux Code / CEN Flux Code	12 36 66 50 100
Type of protection	IP 66
Protection class	I
Filament test	850°C - 30 seconds
Impact resistance	IK08
Ambient temperature	-20 °C ... + 30 °C
Conformity mark	CE, EAC

# BRICK STEPS

641306.0031.1 | Recessed luminaires

## Accessories



64253.000  
Recessed mounting box for concrete or brick walls



90-2780  
Housing for cavity walls