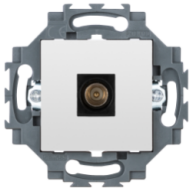


Product Data Sheet

GW35261W

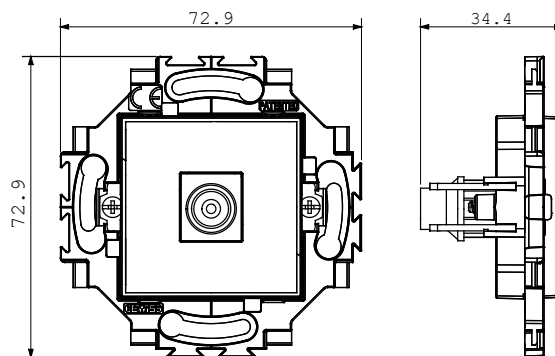
DAHLIA - Domestic range



Residential series suitable for installations on round and square boxes, characterised by an elegant appearance and classic shapes. The plates, made of technopolymer in seven colours and with different modularities, from 1 to 5-gang, can be installed in both horizontal and vertical positions. The series, developed around a core of monobloc devices, is available in two colours: white and ivory, both with a glossy finish. Expandable with ChorusSmart modular devices.

Category	TV socket-outlet	Colour	White
Material	Technopolymer	Finishing	Glossy
Description	Direct	Attenuation	0 dB
Fixing	With clutches/Screws	Glow wire test	850 °C
Thermo-pressure with ball	125 °C	Standard	IEC 60169

DIMENSIONAL



TECHNICAL SYMBOLOGY

GWT



850 °C

125 °C

STANDARDS/APPROVALS

