



# MASTER MHN-FC

## MASTER MHN-FC 1000W/740 230V XW

Compact quartz metal halide lamps with double pinch

### Warnings and Safety

- Use only in totally enclosed luminaire, even during testing (IEC61167, IEC 62035, IEC60598)
- The luminaire must be able to contain hot lamp parts if the lamp ruptures
- A lamp breaking is extremely unlikely to have any impact on your health. If a lamp breaks, ventilate the room for 30 minutes and remove the parts, preferably with gloves. Put them in a sealed plastic bag and take it to your local waste facilities for recycling. Do not use a vacuum cleaner.

### Product data

Operating and Electrical	
Power Consumption	1,040.0 W
Voltage (Nom)	130 V
Voltage (Nom)	130 V

General Information	
Cap-Base	DOUBLEENDED [Double Ended]
Operating Position	P5 [Parallel +/-5D or Horizontal(HOR)]

Light Technical	
Color Code	740 [CCT of 4000K]
Color Designation	White (WH)
Chromaticity Coordinate X (Nom)	374
Chromaticity Coordinate Y (Nom)	366
Correlated Color Temperature (Nom)	4100 K
Luminous Efficacy (rated) (Nom)	91 lm/W
Color rendering index (CRI)	65

Controls and Dimming	
Dimmable	No

Mechanical and Housing	
Bulb Finish	Clear

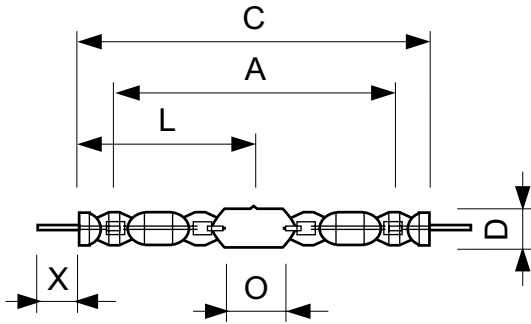
  

Approval and Application	
Mercury (Hg) Content (Nom)	74 mg
Energy Consumption kWh/1000 h	1144 kWh

Product Data	
Full product code	871150021424900
Order product name	MASTER MHN-FC 1000W/740 230V XW
Order code	928075705130
Numerator - Quantity Per Pack	1
Numerator - Packs per outer box	1
Material number (12NC)	928075705130
Full product name	MASTER MHN-FC 1000W/740 230V XW
EAN/UPC - Case	8711500214249

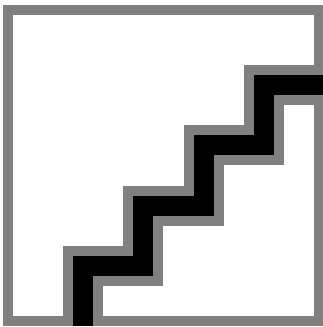
# MASTER MHN-FC

## Dimensional drawing



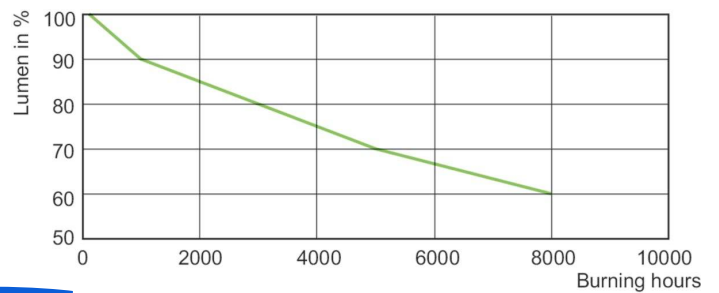
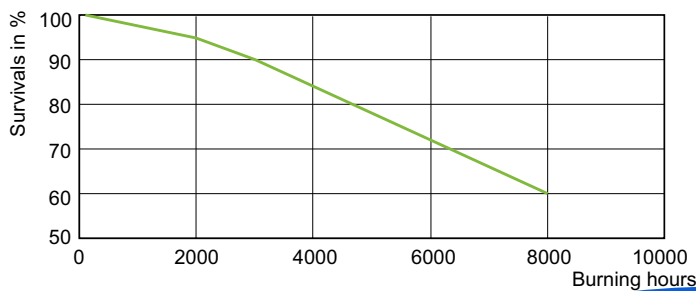
Product	D (max)	D	O	X	L	A	C (max)
MASTER MHN-FC 1000W/740 230V XW	33 mm	25.5 mm	42.5 mm	58 mm	144 mm	226 mm	290 mm

## Photometric data



Spectral Power Distribution Colour - MASTER MHN-FC 1000W/740 230V XW

## Lifetime



Life Expectancy Diagram - MASTER MHN-FC 1000W/740 230V XW

Lumen Maintenance Diagram - MASTER MHN-FC 1000W/740 230V XW

