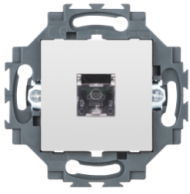


Product Data Sheet

GW35251W

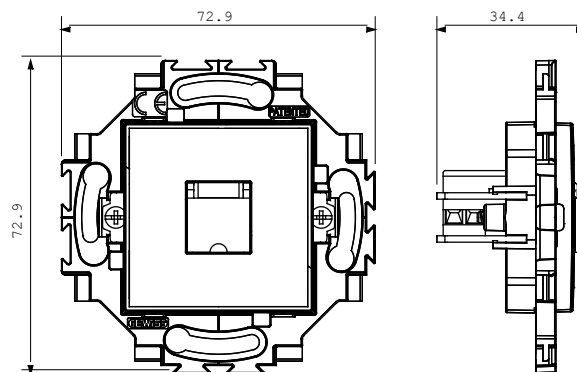
DAHLIA - Domestic range



Residential series suitable for installations on round and square boxes, characterised by an elegant appearance and classic shapes. The plates, made of technopolymer in seven colours and with different modularities, from 1 to 5-gang, can be installed in both horizontal and vertical positions. The series, developed around a core of monobloc devices, is available in two colours: white and ivory, both with a glossy finish. Expandable with ChorusSmart modular devices.

Category	Telephone socket-outlet	Colour	White
Material	Technopolymer	Finishing	Glossy
Description	RJ11	Connection	Screw-on terminals
Fixing	With clutches/Screws	Glow wire test	850 °C
Thermo-pressure with ball	125 °C	Standard	EN 50173

DIMENSIONAL



TECHNICAL SYMBOLOGY

GWT



850 °C

125 °C

STANDARDS/APPROVALS

