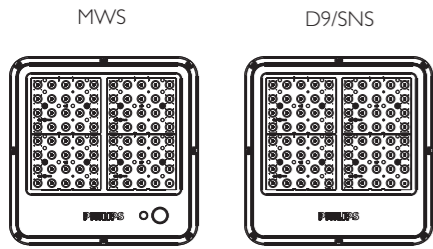
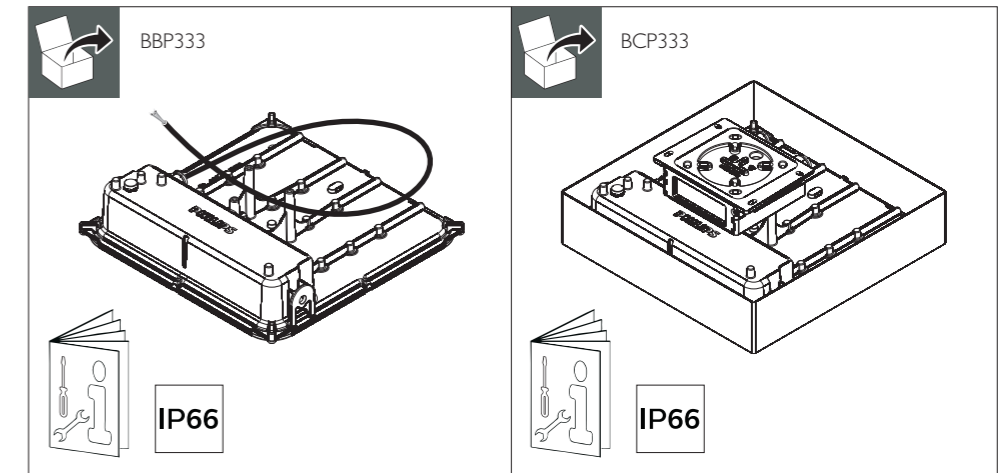
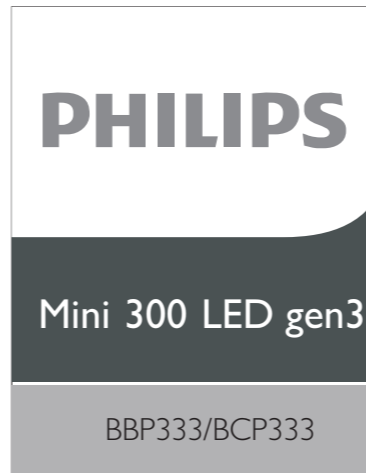
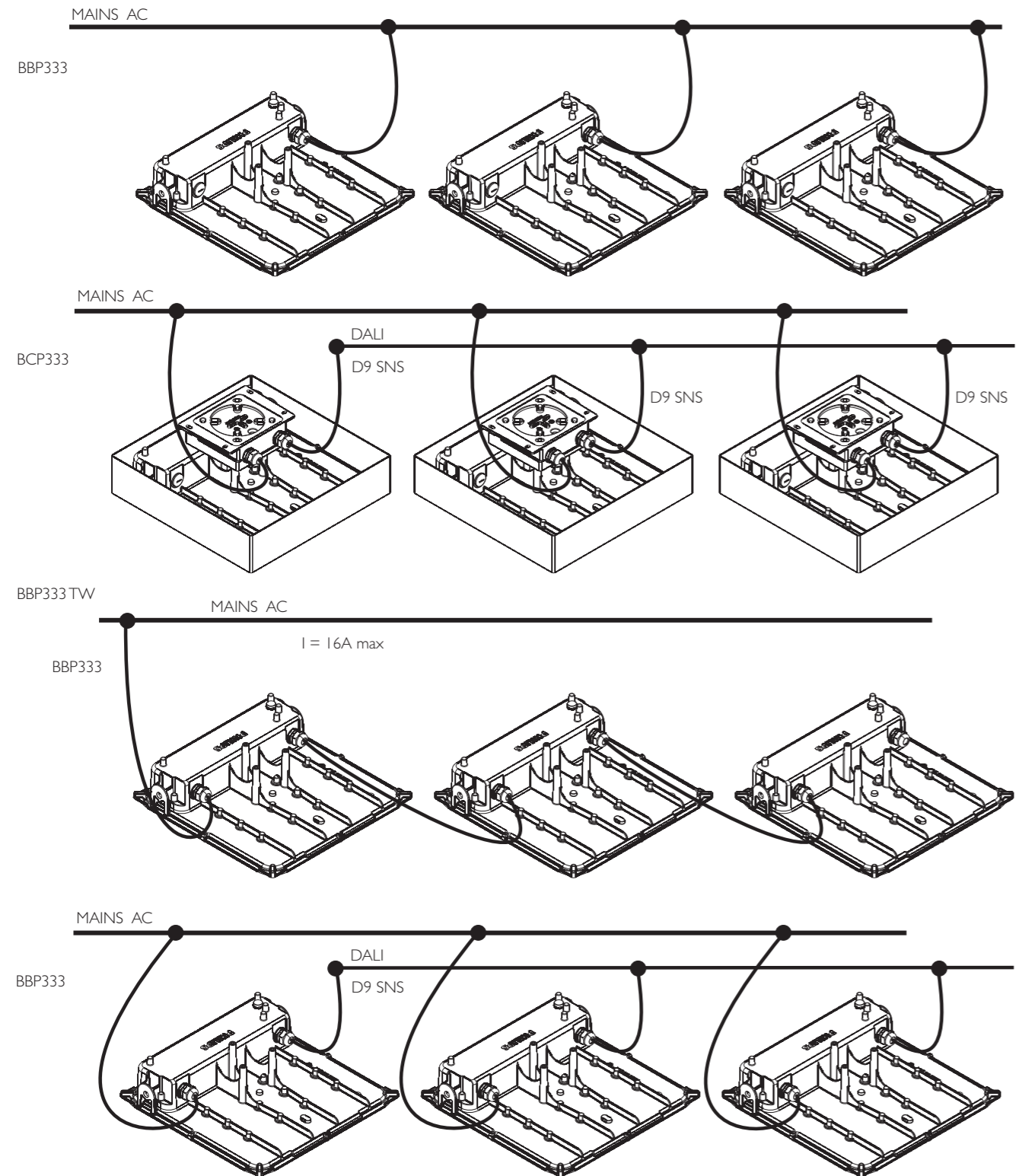


1 pce MASTER (MWS) - max 6 pcs SLAVE (D9/SNS)



\*SENSOR - standard factory settings

MDUW	PH	MDUW PH
Fade in - 1 sec Fade out - 5 sec Dim down delay time - 3 min Dim level from 100% to 30%	200 lx	Fade in - 1 sec Fade out - 5 sec Dim down delay time - 3 min Dim level from 100% to 30% 200 lx

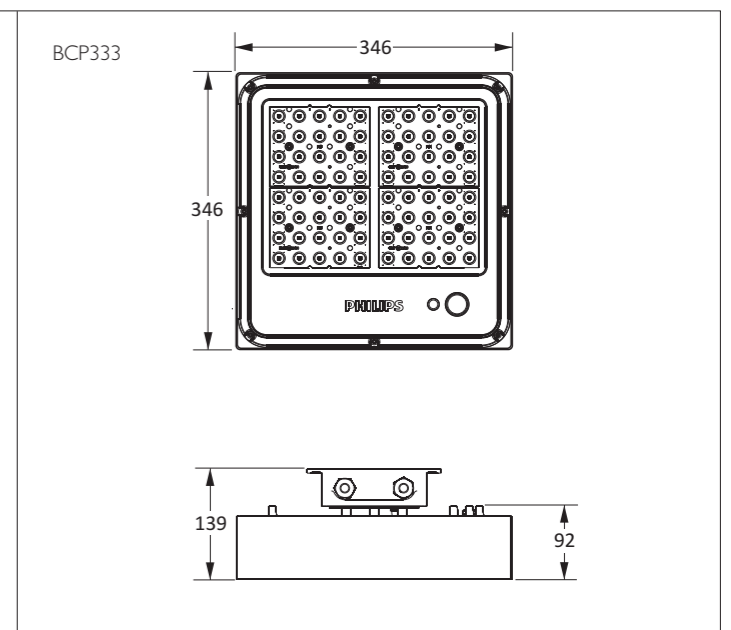
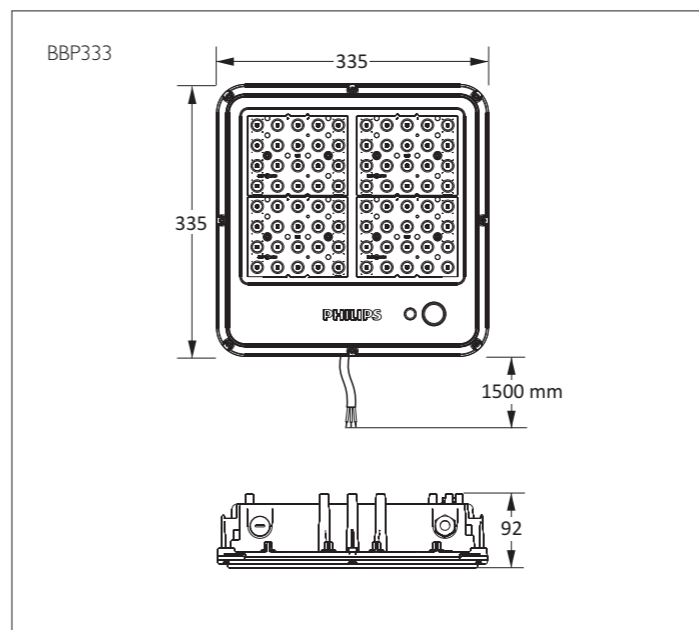


CE 220V 240V 50Hz 60Hz LEDs outdoor IK08 IEC EN60598

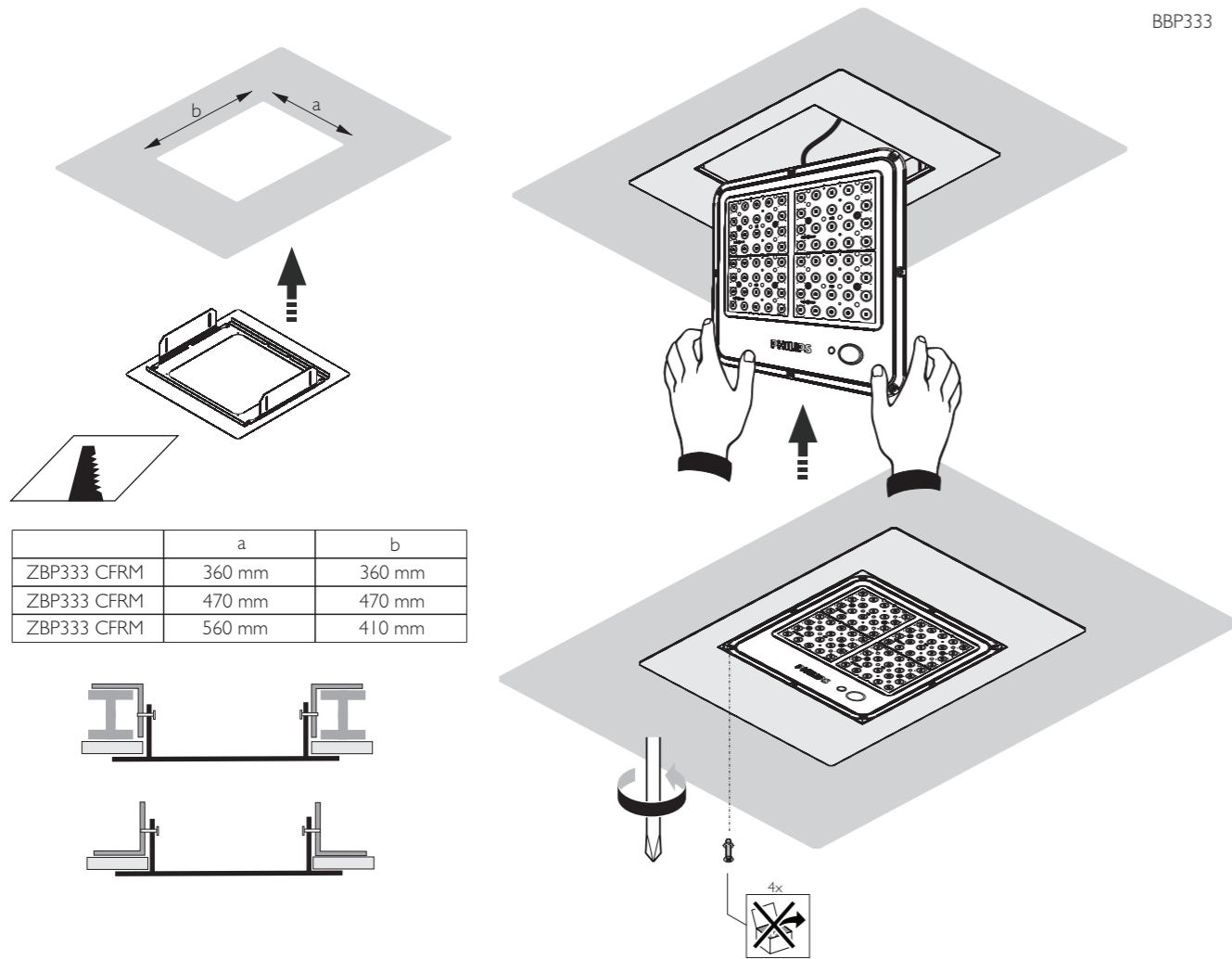
LIFE L80B10

Disconnect before servicing  
Mettre hors tension avant intervention  
Öffnen nur spannungsfrei  
Demontieren voor onderhoud  
Togliere tensione prima di fare manutenzione  
Desconectar antes de manipular  
Bryt strömmen före lampbyte

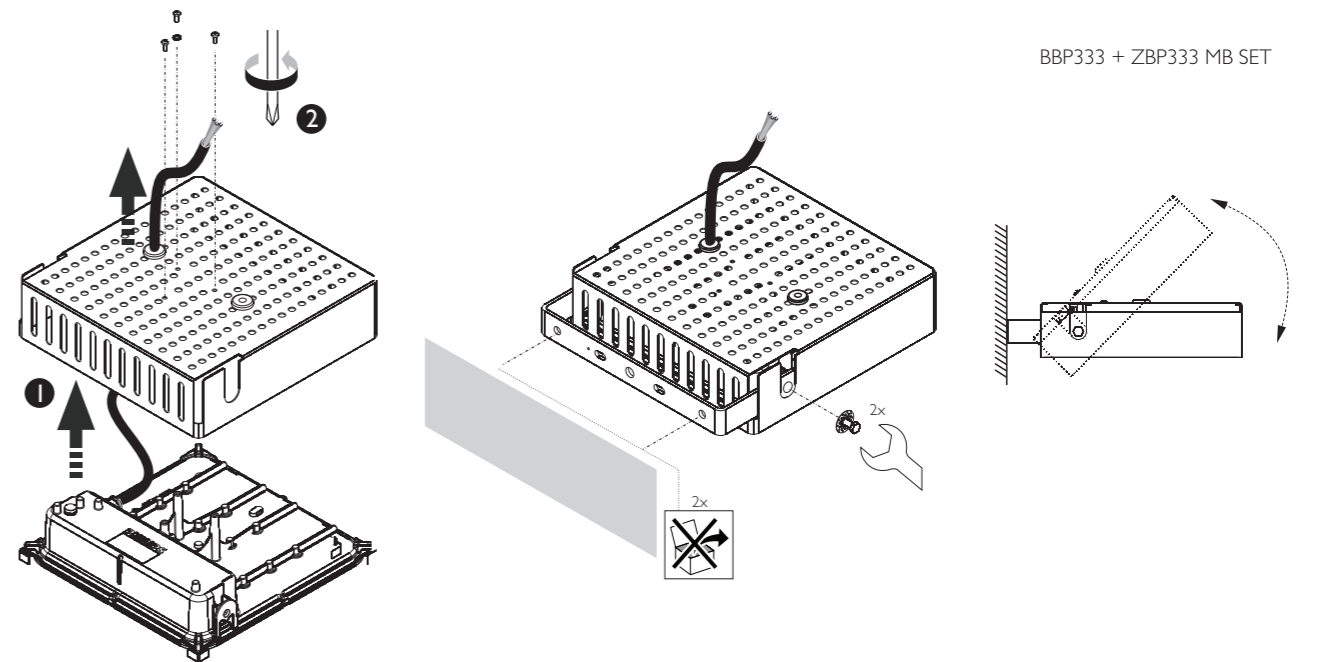
	LED Color	Color temperature (K)	Light Engine	Source Lumen Output	System power (W)	Inrush current	Max. No of luminaires on MCB 16A/230V	max	min	kg
BBP333	740	4000	LED81	8000 lm	50	46A/250µs	11	+40 °C	-30 °C	5Kg (-/+10%)
BBP333	740	4000	LED128	13000 lm	80	53A/300µs	9	+40 °C	-30 °C	5Kg (-/+10%)
BBP333	740	4000	LED159	16000 lm	97	53A/300µs	9	+40 °C	-30 °C	5Kg (-/+10%)
BBP333	757	5700	LED81	8000 lm	50	46A/250µs	11	+40 °C	-30 °C	5Kg (-/+10%)
BBP333	757	5700	LED128	13000 lm	80	53A/300µs	9	+40 °C	-30 °C	5Kg (-/+10%)
BBP333	757	5700	LED159	16000 lm	97	53A/300µs	9	+40 °C	-30 °C	5Kg (-/+10%)
BCP333	740	4000	LED81	8000 lm	50	46A/250µs	11	+40 °C	-30 °C	6Kg (-/+10%)
BCP333	740	4000	LED128	13000 lm	80	53A/300µs	9	+40 °C	-30 °C	6Kg (-/+10%)
BCP333	740	4000	LED159	16000 lm	97	53A/300µs	9	+40 °C	-30 °C	6Kg (-/+10%)
BCP333	757	5700	LED81	8000 lm	50	46A/250µs	11	+40 °C	-30 °C	6Kg (-/+10%)
BCP333	757	5700	LED128	13000 lm	80	53A/300µs	9	+40 °C	-30 °C	6Kg (-/+10%)
BCP333	757	5700	LED159	16000 lm	97	53A/300µs	9	+40 °C	-30 °C	6Kg (-/+10%)



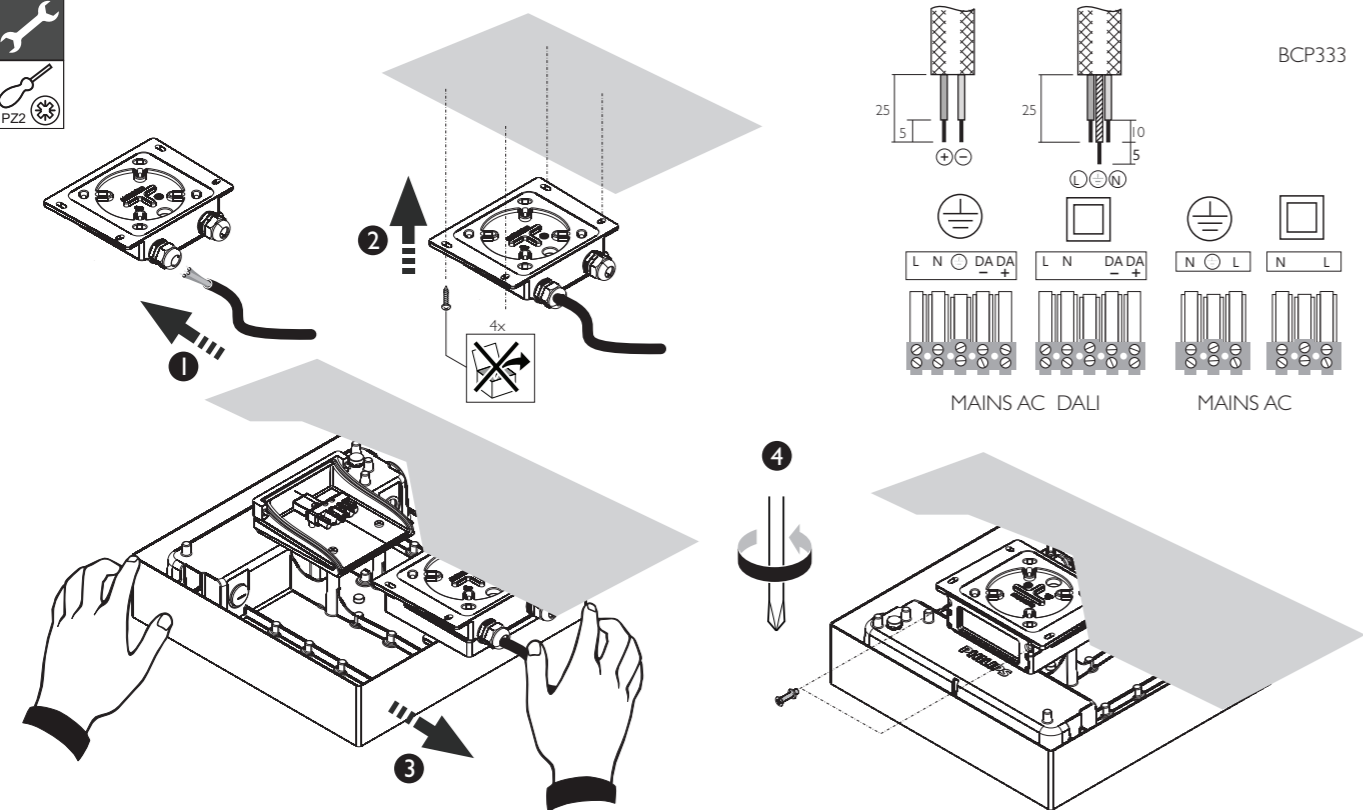
BBP333



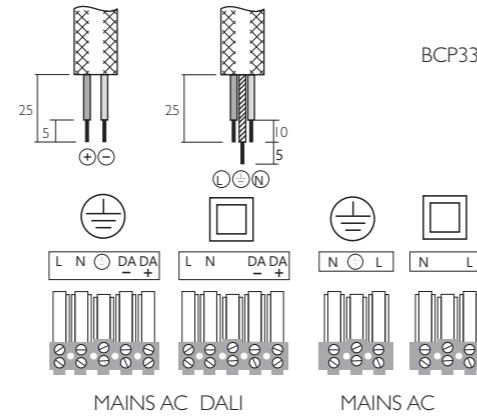
- GB The light source contained in this luminaire shall only be replaced by the manufacturer or his service agent or a similar qualified person.
- DE Die in dieser Leuchte enthaltenen Lichtquelle darf nur durch den Hersteller oder seinen Kundendienst oder eine ähnlich qualifizierte Person ersetzt werden.
- IT La sorgente di luce contenuta in questo apparecchio potrà essere sostituita solo dal costruttore, da suo personale addetto all'assistenza tecnica od ugualmente qualificato
- NL De lichtbron in dit armatuur mag alleen worden vervangen door de fabrikant of zijn service agent of een soortgelijk gekwalificeerd persoon.
- DK Lyskilden er indeholdt i dette armatur må kun udskiftes af fabrikanten eller hans serviceværksted eller en tilsvarende kvalificeret person.
- PL Źródłem światła w oprawie zawarte powinny być wymieniane wyłącznie przez producenta lub jego przedstawiciela serwisu lub wykwalifikowaną osobę.



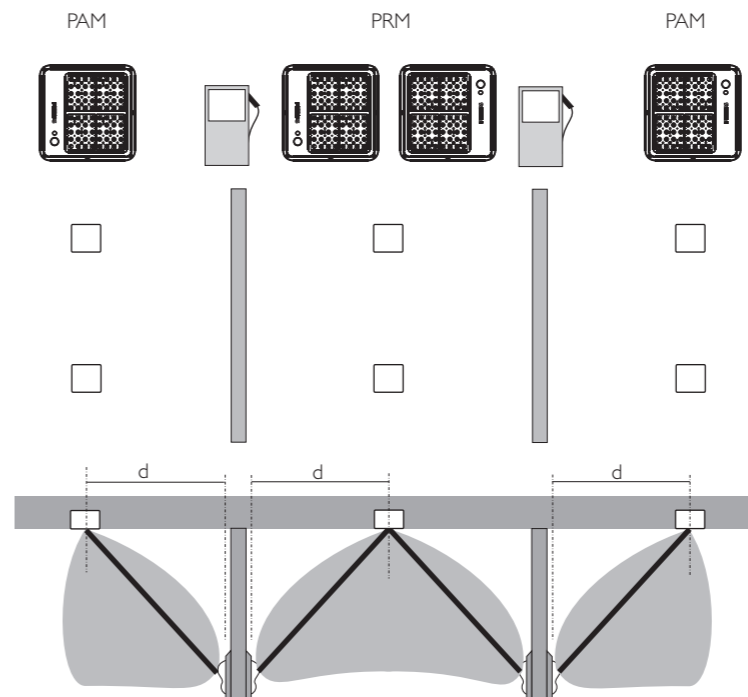
BBP333 + ZBP333 MB SET



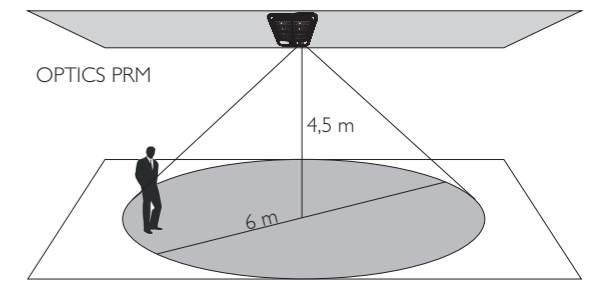
BCP333



LUMINAIRE POSITIONING



MOVEMENT DETECTION ZONE  
( see details in sensor's manual  
I2NC: 4427 100 67750 or 4427 103 34710)



This product has the option to communicate via mobile communication technology. Take careful attention to signs, instructions and safety rules, and obey these. This includes restrictions on the use of mobile phones or laptops in defined safety zones around the dispensers. Commissioning should only to be performed by certified professionals in strict accordance of local regulations and site rules.

Optic	PRM, PRW	PAM
h (m)	4,5	4,5
d (m)	3	3