

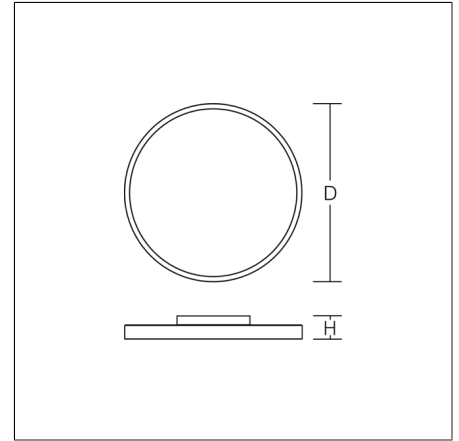
# TRIONA round

312387.002.1.76 | Surface-mounted luminaires



Ceiling and wall luminaires  
4051859334125  
D 845, H 88

Ceiling mounting, Wall (surface)  
traffic white, matt (RAL 9016)



Decorative round LED surface-mounted luminaire. Flat, seamless frame: aluminium extrusion profile, powder coated. Cover made of sheet steel, powder-coated. Light emission through a diffuser: plastic, opal. Lightguide and diffuser made of non-yellowing plastic (PMMA). Lateral light emission (RZB SIDELITE® technology) for above-average homogeneous light distribution. Suitable for Ceiling mounting, Wall (surface). Tool-free mounting via bayonet connection. Electronic ballast included. Very easy installation thanks to plug & play connection.

## Product specifications

Diameter D	845 mm
Height H	88 mm
Weight	16.31 kg
Light source	LED
Colour temperature	4000 K
Rated luminous flux	8300 lm
System power	80 W
System efficiency	104 lm/W
Glare evaluation UGR (4H 8H)	21,8
Beam angle	106°
Rated life	50000 h (L80/B50)
Colour rendering index (CRI)	80
Colour tolerance	3
Photobiological safety according to EN 62471	Risk group 1
Driver	Converter, dimmable
Control	DALI
Voltage	220 - 240 V / 50 - 60 Hz
Luminaires on B10A fuse	8
Luminaires on B16A fuse	13
Luminaires on C10A fuse	14
Luminaires on C16A fuse	22
Inrush current / Inrush current duration	53 A / 200 µs
CIE Flux Code / CEN Flux Code	49 80 96 100 100
Type of protection	IP 20
Protection class	I
Filament test	650°C - 30 seconds
Impact resistance	IK03
Ambient temperature	25 °C
Conformity mark	CE, EAC