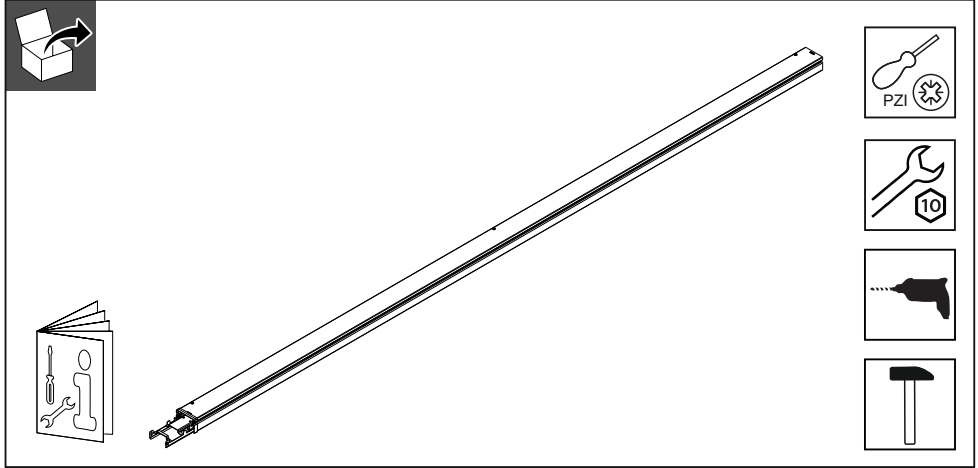


PHILIPS

Maxos Fusion

LL500T / LL600T



50Hz
60Hz

220V
240V



LEDs

IP54
LL600T

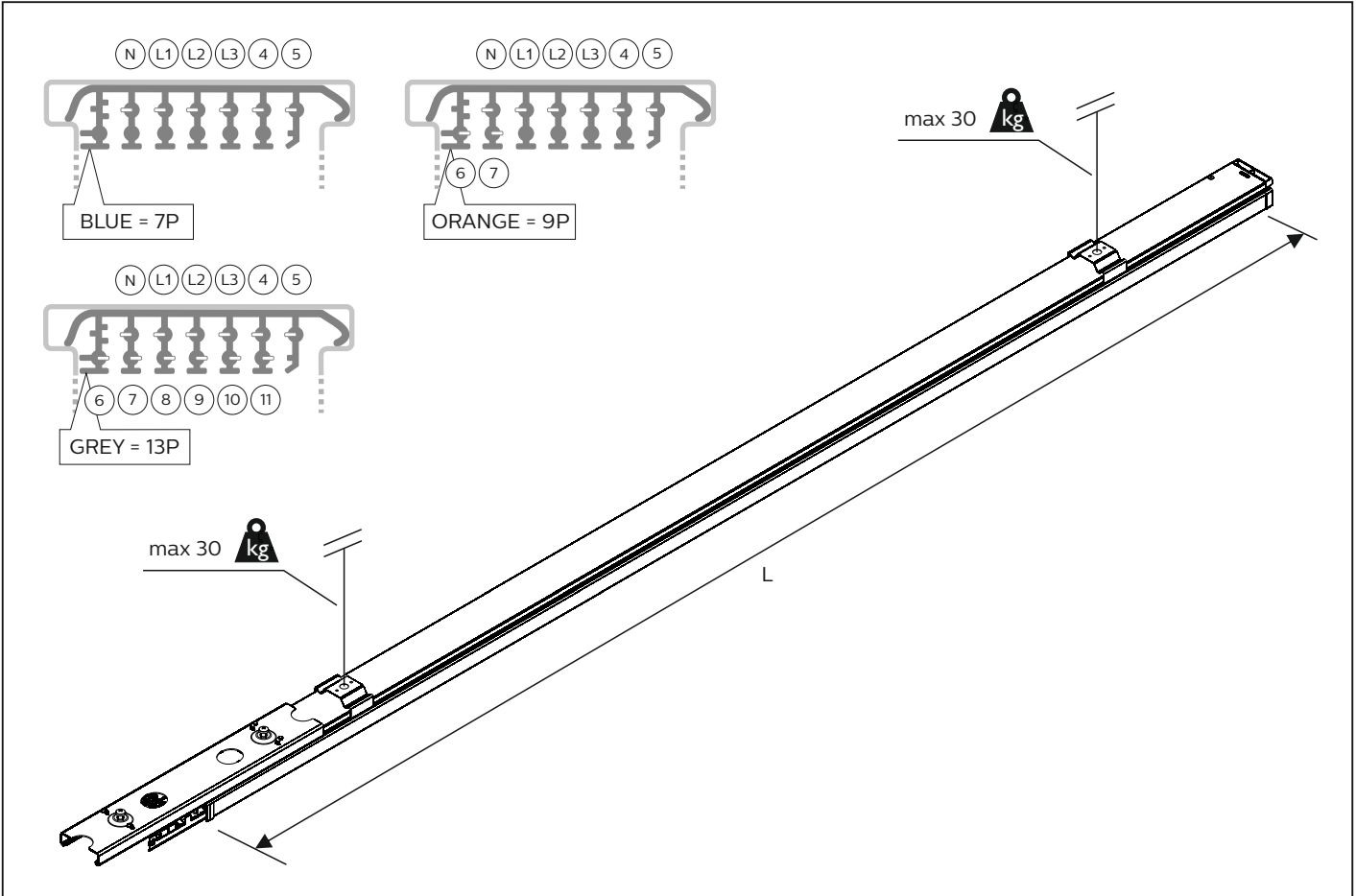
IP20
LL500T

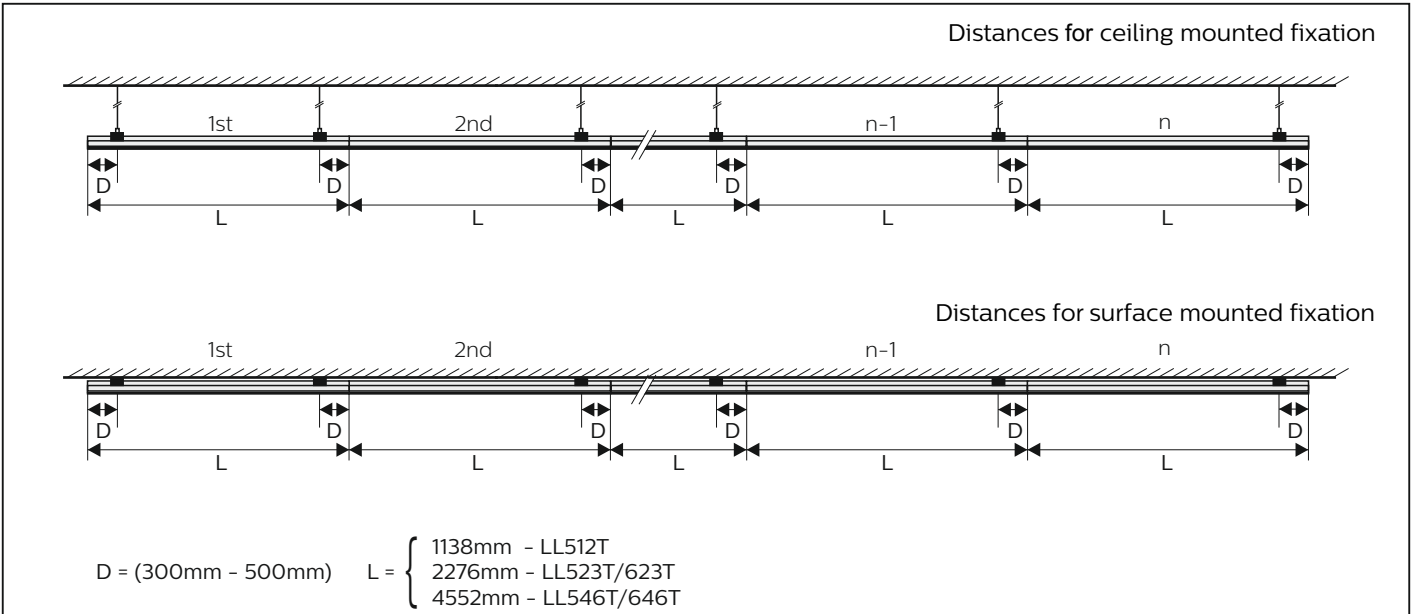
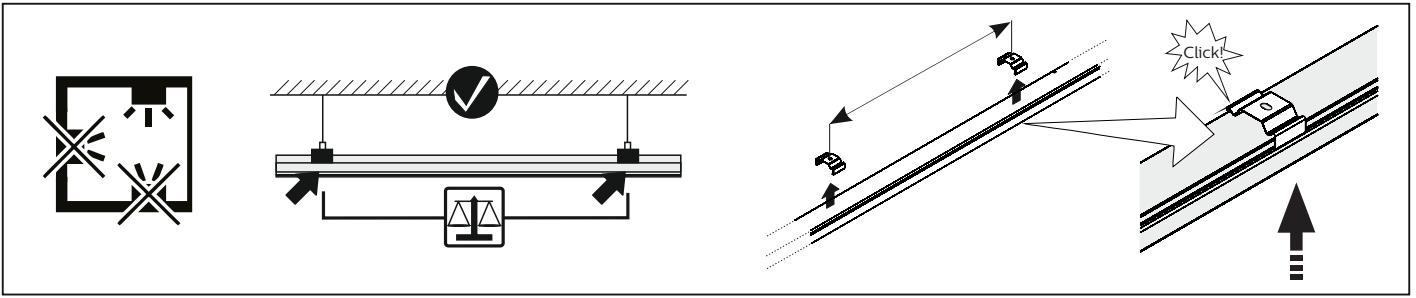
IK02

Max.
35 °C
Min.
-20 °C

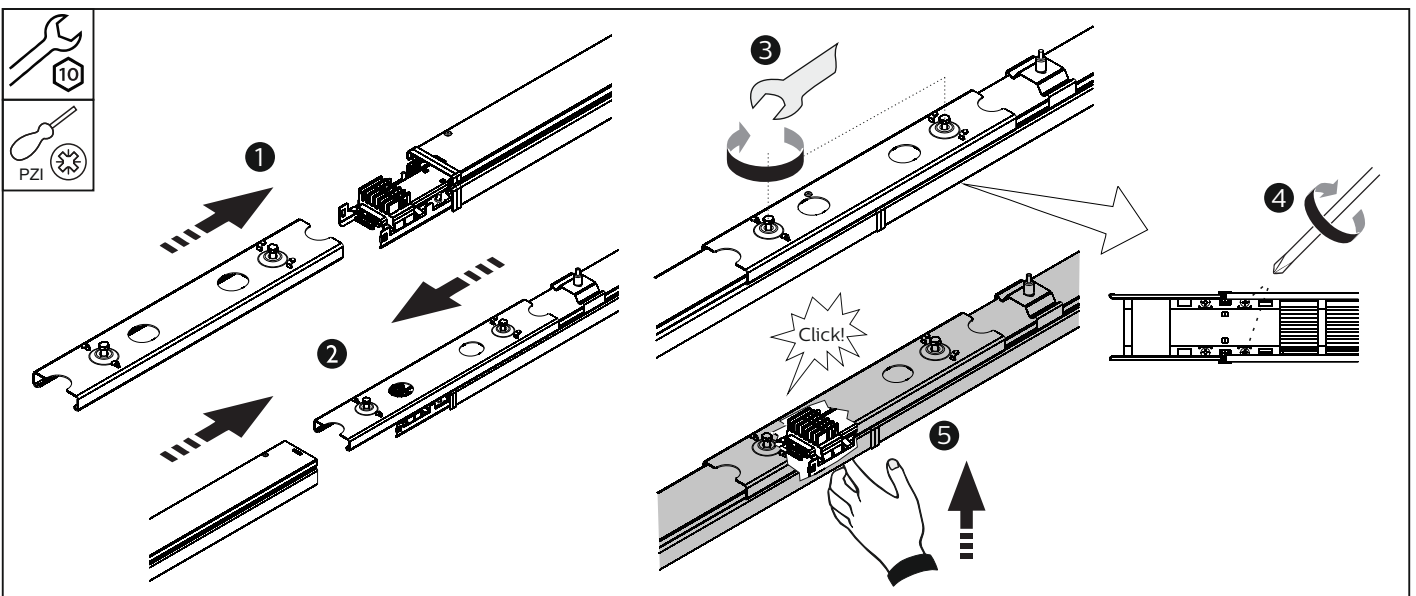
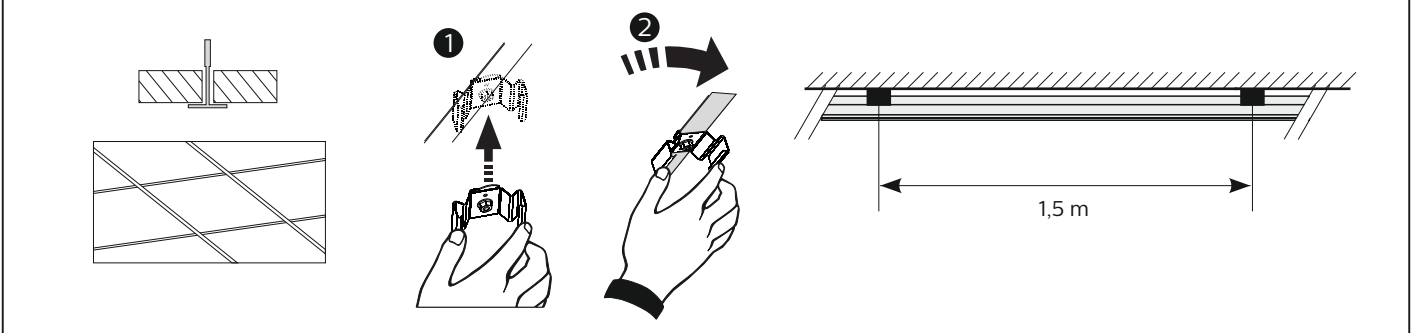


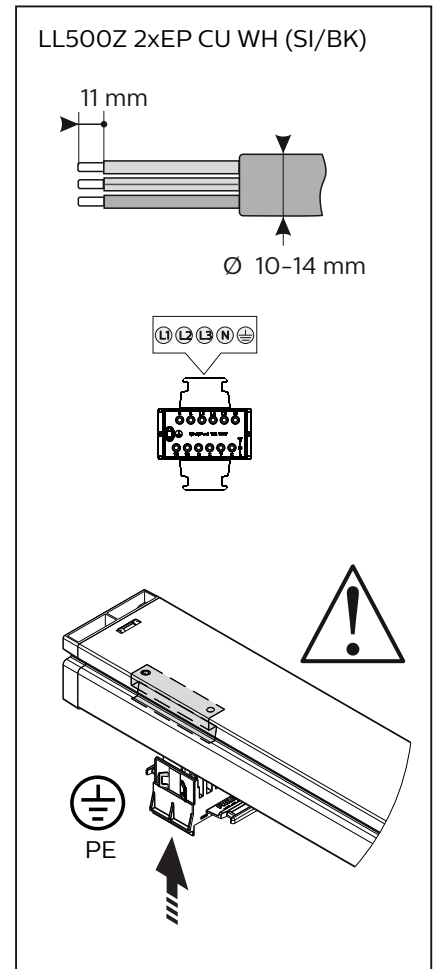
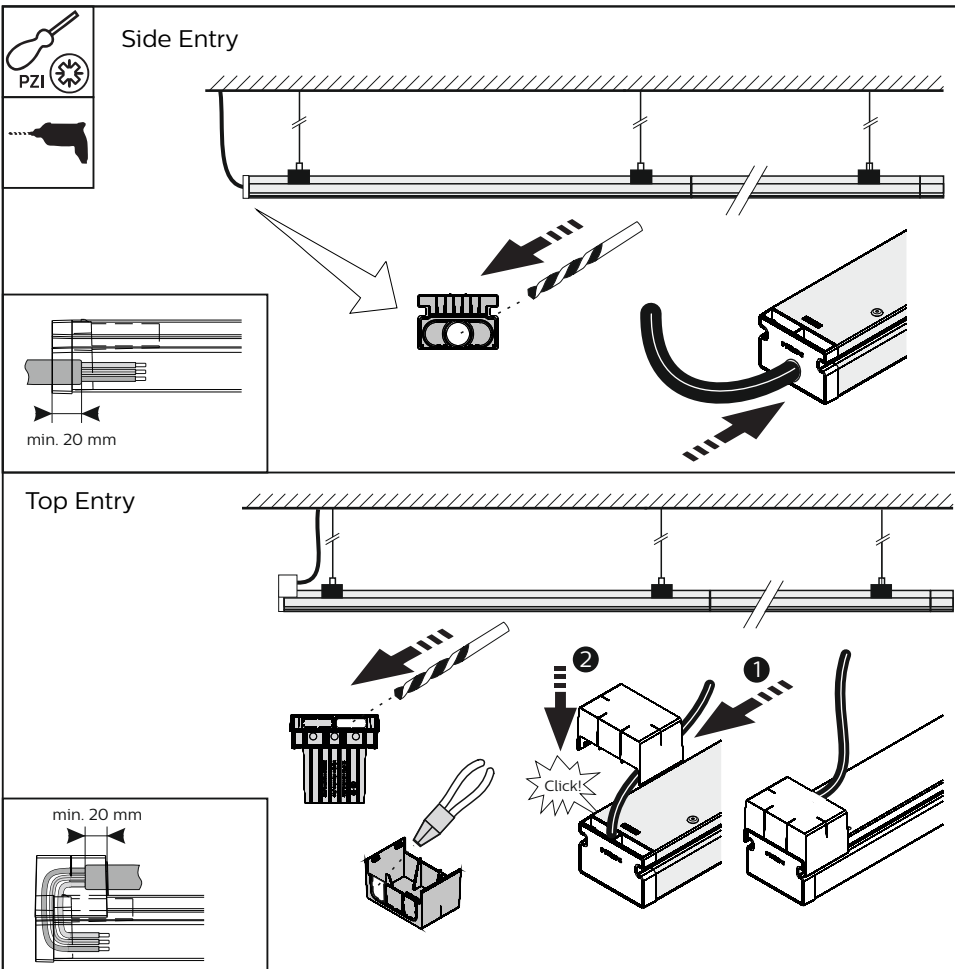
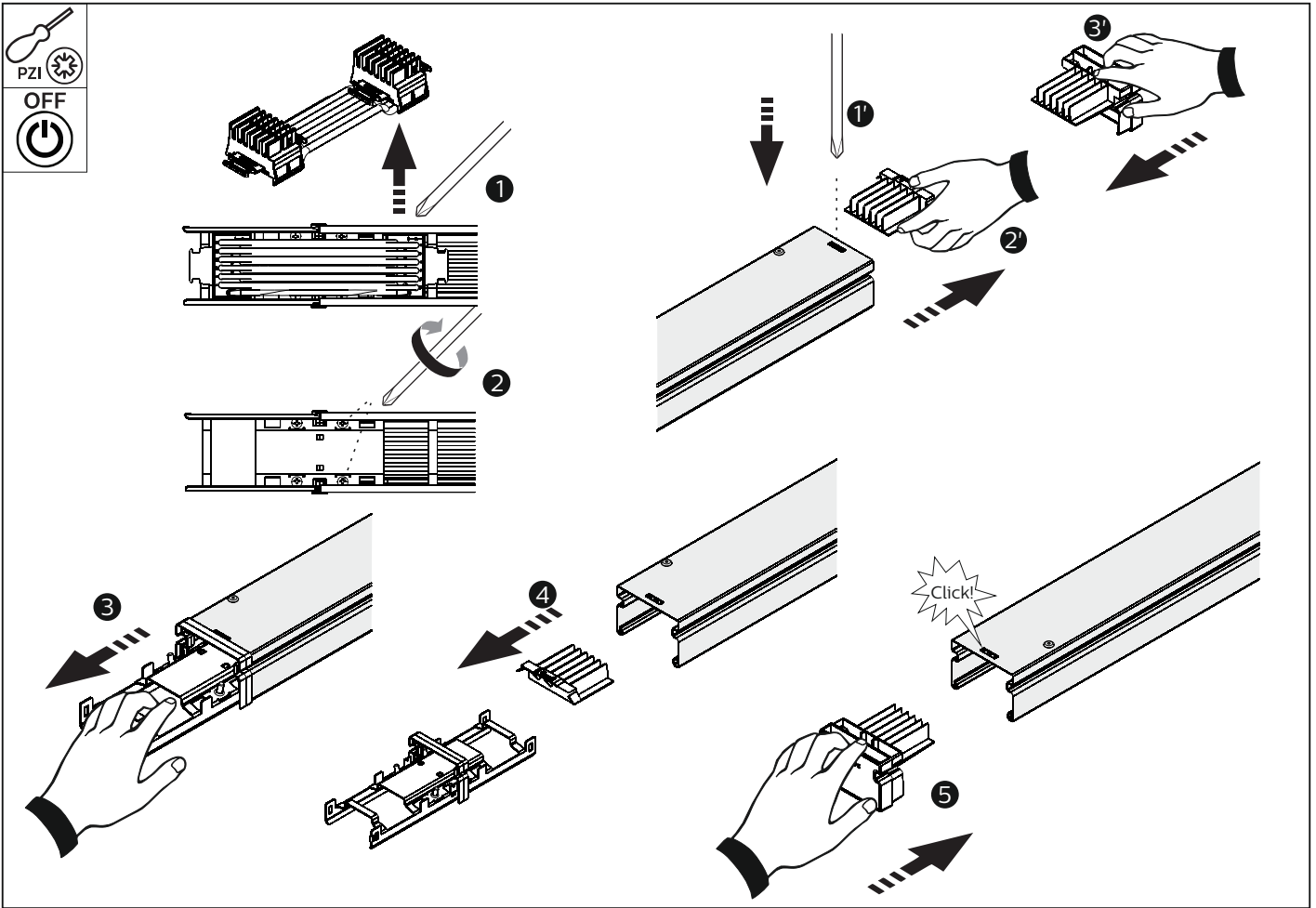
	L(mm)	7P kg	9P kg	13P kg
LL512T	1138	1.7	1.7	1.7
LL523T / LL623T	2276	3.3	3.3	3.3
LL546T / LL646T	4552	6.4	6.4	6.4

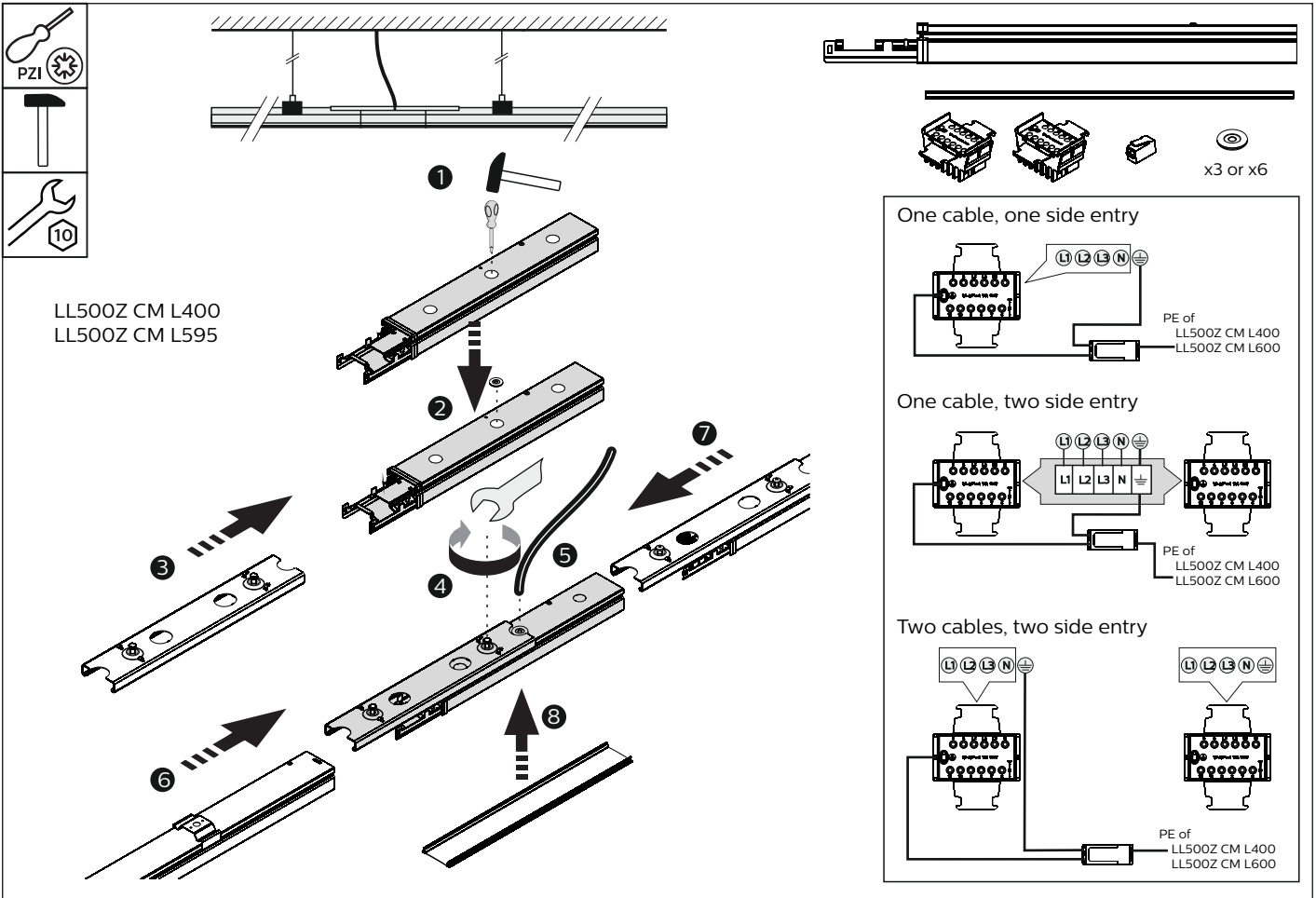




LL500Z PB







Suspension brackets

Pos.	Description
1	LL500Z SMB WH Surface mounted bracket white
	LL500Z SMB SI Surface mounted bracket silver
	LL500Z SMB BK Surface mounted bracket black
2	LL500Z MB-SW WH Mounting bracket for suspension wire (2 mm), white
	LL500Z MB-SW SI Mounting bracket for suspension wire (2 mm), silver
	LL500Z MB-SW BK Mounting bracket for suspension wire (2 mm), black
3	LL500Z MB-SW2 L5000 WH Mounting bracket with suspension wire l = 5000 mm, white
	LL500Z MB-SW2 L5000 SI Mounting bracket with suspension wire l = 5000 mm, silver
	LL500Z MB-SW2 L5000 BK Mounting bracket with suspension wire l = 5000 mm, black
4	LL500Z CB-CH WH Chain bracket, white
	LL500Z CB-CH SI Chain bracket, silver
	LL500Z CB-CH BK Chain bracket, black
5	LL500Z PB WH profile bracket for visible T-profiles, white
	LL500Z PB SI profile bracket for visible T-profiles, silver
	LL500Z PB BK profile bracket for visible T-profiles, black
6	LL500Z SW2 L1250 suspension wire diameter 2 mm, L=1250mm
	LL500Z SW2 L3000 suspension wire diameter 2 mm, L=3000mm
	LL500Z SW2 L5000 suspension wire diameter 2 mm, L=5000mm

© 2017 Philips Lighting Holding B.V.
All rights reserved. Reproduction in whole or in part is prohibited without the prior written consent of the copyright owner.
The information presented in this document does not form part of any quotation or contract, is believed to be accurate and reliable and may be changed without notice. No liability will be accepted by the publisher for any consequence of its use.
Publication thereof does not convey nor imply any license under patent- or other industrial or intellectual property rights.

Philips Lighting Holding B.V.
The Netherlands