



CorePro LEDspot LV

CorePro LED spot ND 7-50W MR16 840 36D

CorePro LEDspots are a perfect fit for spot lighting and deliver warm halogen-like light. They are compatible with most existing fixtures with MR16 GU5.3 holders and are designed as a retrofit replacement for halogen or incandescent spots. CorePro LEDspots deliver huge energy savings and minimize maintenance cost.

Product data

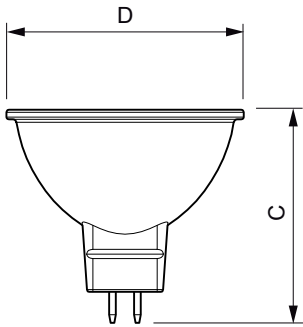
General Information		Power Consumption	
Cap-Base	GU5.3 [GU5.3]	Power Consumption	7 W
Nominal lifetime	15,000 hour(s)	Lamp Current (Nom)	730 mA
Switching Cycle	50,000	Wattage Equivalent	50 W
Lighting Technology	LED	Starting Time (Nom)	0.5 s
Flux measurement reference	Narrow Cone	Warm-up time to 60% light	0.5 s
		Power Factor (Fraction)	0.8
		Voltage (Nom)	12 V
Light Technical		Temperature	
Color Code	840 [CCT of 4000K]	T-Case Maximum (Nom)	85 °C
Beam Angle (Nom)	36 degree(s)		
Luminous Flux	660 lumen	Controls and Dimming	
Luminous Intensity (Nom)	1,500 cd	Dimmable	No
Color Designation	Cool White (CW)		
Correlated Color Temperature (Nom)	4000 K	Mechanical and Housing	
Luminous Efficacy (rated) (Nom)	94.00 lm/W	Bulb Shape	MR16 [2inch/50mm]
Color Consistency	<6		
Color rendering index (CRI)	80	Approval and Application	
LLMF At End Of Nominal Lifetime (Nom)	70 %	Suitable For Accent Lighting	Yes
Luminous Flux in 90° Cone (Rated)	660 lumen	Energy Consumption kWh/1000 h	7 kWh
		EPREL Registration Number	465,223
Operating and Electrical		CE mark	Yes
Line Frequency	- Hz		
Input Frequency	- Hz		

CorePro LEDspot LV

EU RoHS compliant	Yes
Product Data	
Full product code	871869681479600
Order product name	CorePro LED spot ND 7-50W MR16 840 36D
Order code	929001905002
Numerator - Quantity Per Pack	1

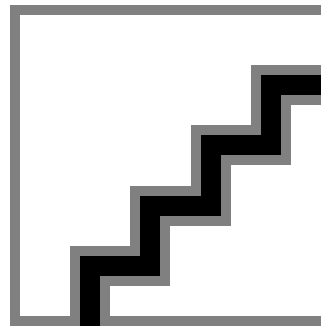
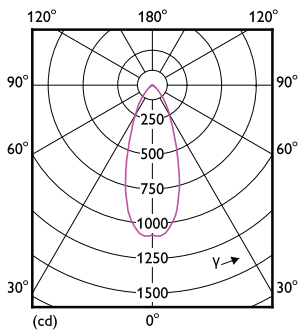
Numerator - Packs per outer box	10
Material number (12NC)	929001905002
Full product name	CorePro LED spot ND 7-50W MR16 840 36D
EAN/UPC - Case	8718696814802

Dimensional drawing



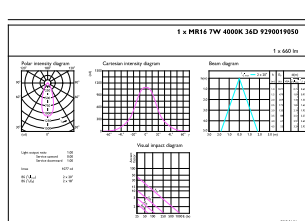
Product	D	C
CorePro LED spot ND 7-50W MR16 840 36D	50.5 mm	45 mm

Photometric data



Light Distribution Diagram - CorePro LED spot ND 7-50W MR16 840 36D

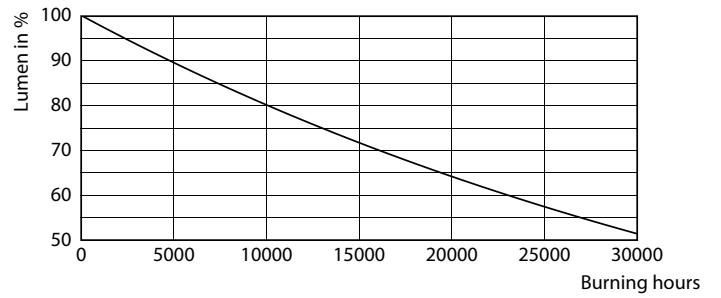
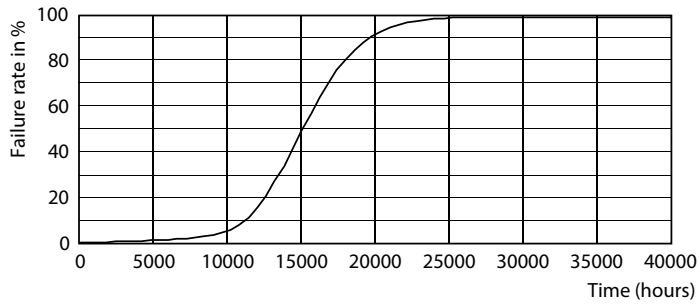
Spectral Power Distribution Colour - CorePro LED spot ND 7-50W MR16 840 36D



Accent Lighting - Spots

CorePro LEDspot LV

Lifetime



Life Expectancy Diagram - CorePro LED spot ND 7-50W MR16 840 36D

Lumen Maintenance Diagram - CorePro LED spot ND 7-50W MR16 840 36D

