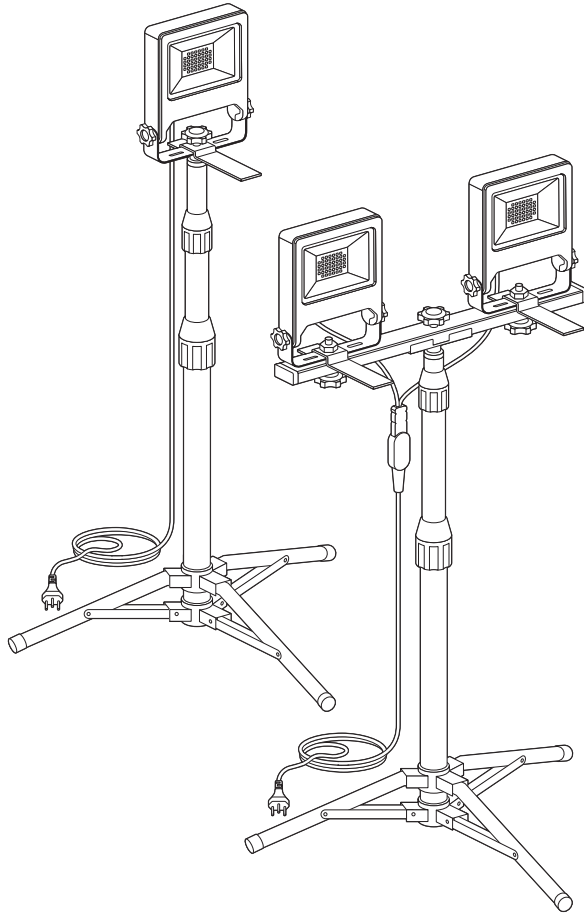

LED WORKLIGHT TRIPOD



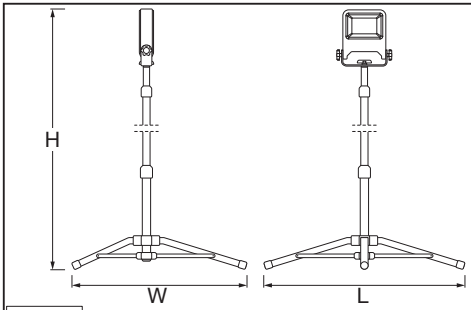
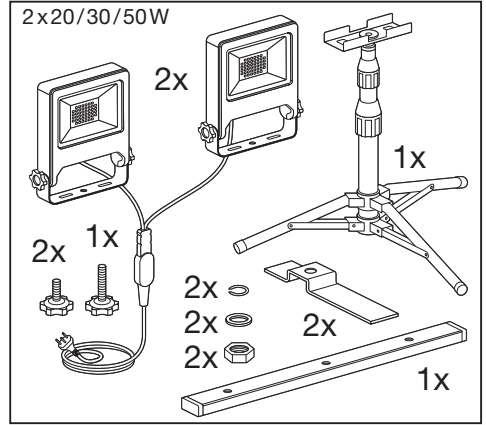
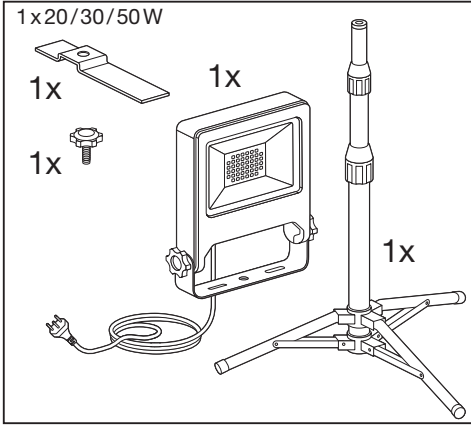
IP65



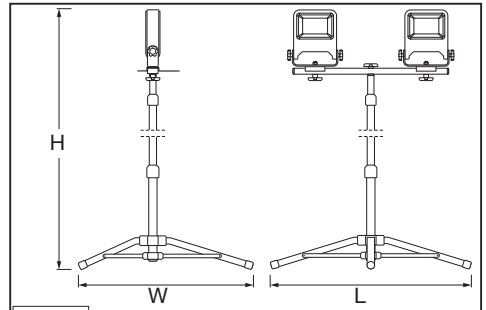
IP20

	EAN	W	lm	K	°(°C)	V~	mA	Hz	PF
LED WORKLIGHT 1x30 W 840 TRIPOD CH	4058075403338	30	2700	4000	-20...+45	220-240	145	50/60	>0.9
LED WORKLIGHT 2x30 W 840 TRIPOD CH	4058075403352	2x30	2x2700	4000	-20...+45	220-240	290	50/60	>0.9

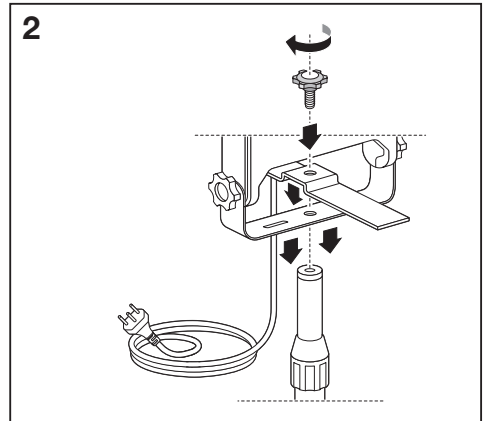
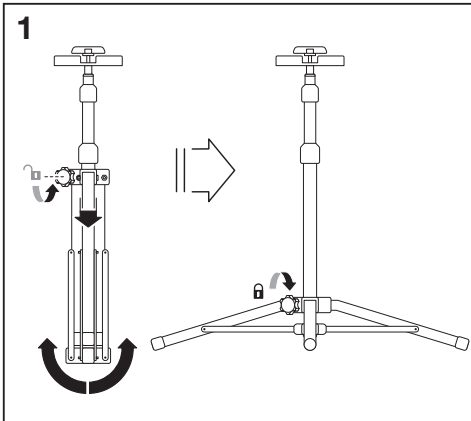
TRIPOD

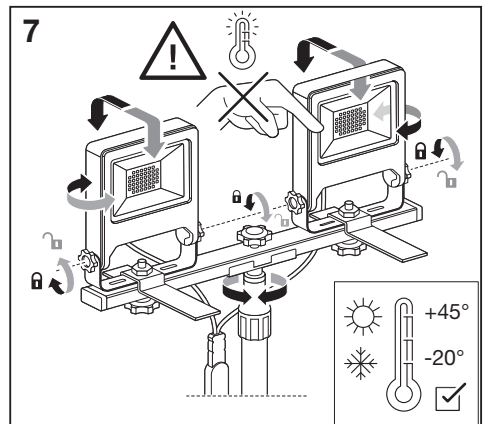
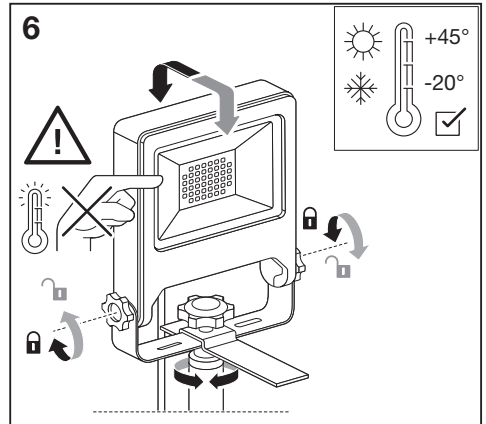
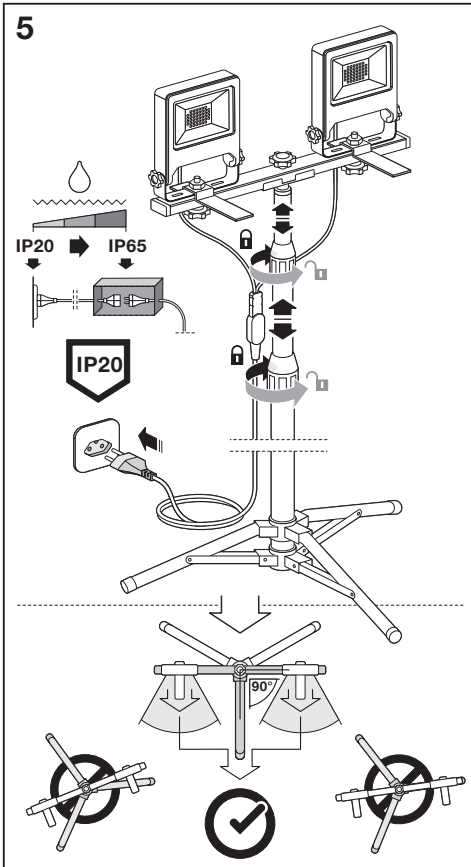
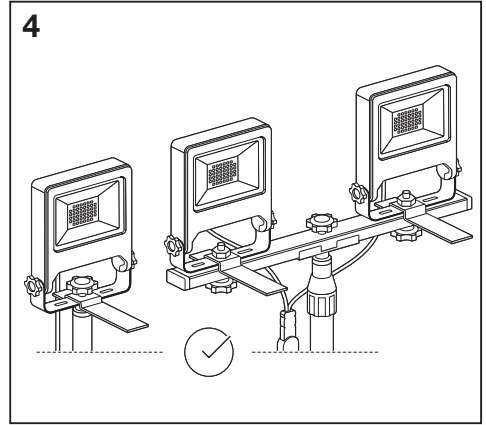
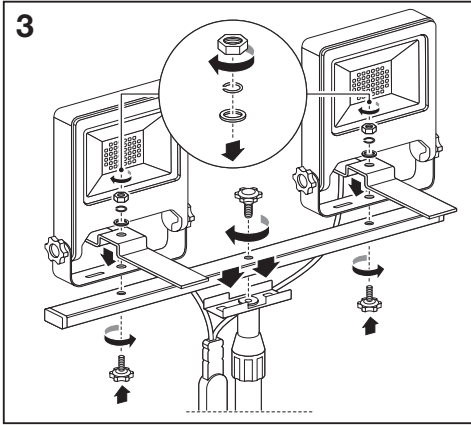


mm				
	L	W	H	
LED WORKLIGHT 1x30W	780	680	1750	2.9kg



mm				
	L	W	H	
LED WORKLIGHT 2x30W	780	680	1750	3.9kg







C10449057
G11089039
17.12.2019



LEDVANCE GmbH
Steinerne Furt 62
86167 Augsburg, Germany
www.ledvance.com