



XLED PRO ONE S  
XLED PRO ONE Plus S  
XLED PRO ONE Max S  
XLED PRO ONE  
XLED PRO ONE Plus  
XLED PRO ONE Max

# Index

1.	About this document	3
2.	General safety precautions	3
3.	System description	4
4.	Electrical connection	12
5.	Installation	14
6.	Function	24
7.	Remote control accessory	29
8.	Cleaning and maintenance	32
9.	Disposal	33
10.	Manufacturer's warranty	34
11.	Technical specifications	35
12.	Troubleshooting	37

# 1. About this document

- Under copyright. Reproduction either in whole or in part only with our consent.
- Subject to change in the interest of technical progress.



**Hazard warning!**



**Warning of hazards from electricity!**



**Warning of hazards from water!**

# 2. General safety precautions



**Failure to observe these operating instructions presents hazards!**

These instructions contain important information on the safe use of this product. Particular attention is drawn to potential hazards. Failure to observe this information may lead to death or serious injuries.

- Read instructions carefully.
- Follow safety advice.
- Keep instructions within easy reach.
- Working with electrical current may produce hazardous situations. Touching live parts can result in electrical shock, burns or death.
- Work on mains voltage must only be performed by qualified, skilled personnel.
- National wiring regulations and electrical operating conditions must be observed (e.g. DE: VDE 0100, AT: ÖVE-ÖNORM E8001-1, CH: SEV 1000).
- Only use genuine replacement parts.
- Repairs must only be carried out by companies qualified to do so.

## 3. System description

### Proper use

#### XLED PRO ONE S/Plus S/Max S

- LED floodlight with infrared motion sensor.
- For indoor and outdoor wall mounting
- Not suitable for connecting to a dimmer.

### Operating principle

- The integrated infrared sensor detects the heat radiated from moving objects (e.g. people, animals). The heat detected in this way is converted electronically into a signal that switches the LED floodlight ON automatically.
- The most reliable way of detecting motion is to install the unit with the sensor aimed across the direction in which a person would walk.
- Motion detection reach is restricted when the unit is approached head on.
- Obstacles (such as trees, walls or panes of glass) may restrict or prevent the detection of movement.
- Sudden fluctuations in temperature as a result of changes in weather are not distinguished from sources of heat.

### Proper use

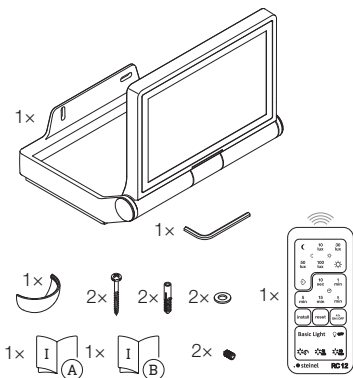
#### XLED PRO ONE/Plus/Max

- LED floodlight.
- For indoor and outdoor wall mounting
- Not suitable for connecting to a dimmer.

## Package contents

- XLED PRO ONE S
- XLED PRO ONE Plus S
- XLED PRO ONE Max S

### 3.1

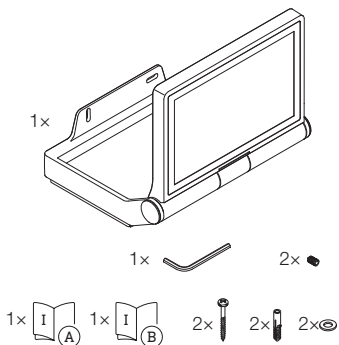


- 1 LED floodlight with infrared motion sensor
- 1 Allen key
- 1 shroud
- 2 screws
- 2 wall plugs
- 2 washers
- 2 grub screws
- 1 remote control RC 12
- 1 safety data sheet
- 1 quick-start guide

## Package contents

- XLED PRO ONE
- XLED PRO ONE Plus
- XLED PRO ONE Max

### 3.2

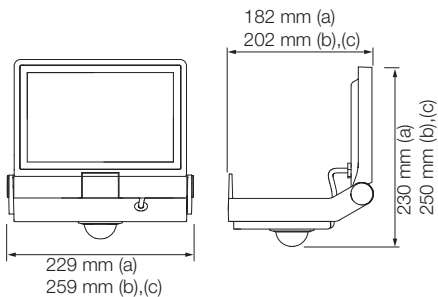


- 1 LED floodlight
- 1 Allen key
- 2 grub screws
- 2 screws
- 2 wall plugs
- 2 washers
- 1 safety data sheet
- 1 quick-start guide

## XLED PRO ONE S product dimensions

- XLED PRO ONE S (a)
- XLED PRO ONE Plus S (b)
- XLED PRO ONE Max S (c)

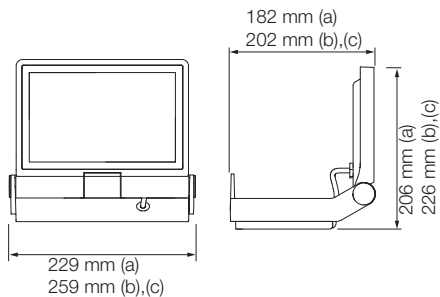
### 3.3



## XLED PRO ONE product dimensions

- XLED PRO ONE (a)
- XLED PRO ONE Plus (b)
- XLED PRO ONE Max (c)

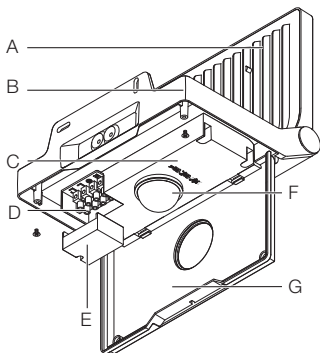
3.4





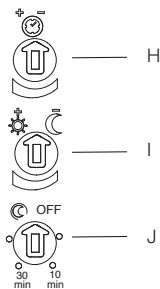
## XLED PRO ONE S/Plus S/Max S product components

3.5



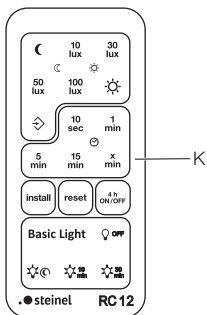
- A LED floodlight head
- B Mounting bracket
- C Control dial
- D Connecting terminal
- E Terminal cover
- F Sensor unit
- G Cover

## 3.6



- H** Time setting  
**I** Twilight setting  
**J** Basic light level

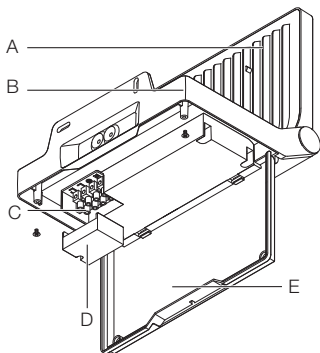
## 3.7



- K** Remote control RC 12

## XLED PRO ONE/Plus/Max product components

3.8

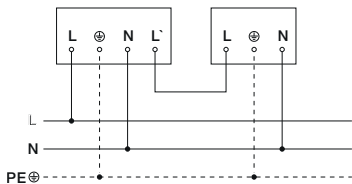
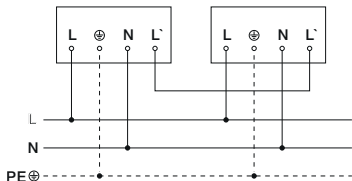
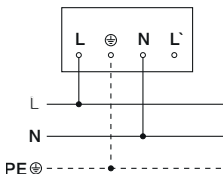


- A LED floodlight head
- B Mounting bracket
- C Connecting terminal
- D Terminal cover
- E Cover

## 4. Electrical connection

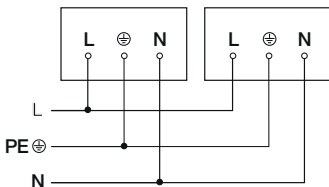
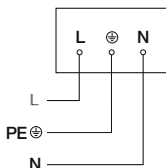
### XLED PRO ONE S/Plus S/Max S wiring diagrams

4.1



## XLED PRO ONE/Plus/Max wiring diagrams

4.2



The mains power supply lead is a 3-core cable:

**L** = phase conductor (usually black, brown or grey)

**N** = neutral conductor (usually blue)

**PE** = protective-earth conductor (green/yellow)

The floodlight can also be connected to the power supply downstream of a mains switch if it is ensured that the mains switch is left ON all the time.

The LEDs in this floodlight cannot be replaced. In the event of LED failure, the entire product must be replaced.

## 5. Installation



**Hazard from electrical power.**

Touching live parts can result in electrical shock, burns or death.

- Switch OFF power and interrupt power supply.
- Using a voltage tester, check to make sure that the power supply is disconnected.
- Make sure power supply remains interrupted.

### **Risk of damage to property!**

Mixing up connection leads may produce a short circuit.

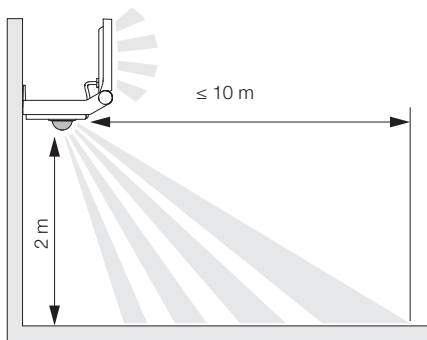
- Identify connection leads.
- Connect the leads correctly.

### **Preparing for installation**

- Check all components for damage. Do not use the floodlight if it is damaged.
- Select an appropriate site to install the product.
  - Take reach into consideration.
  - Take reach and motion detection into consideration.
  - Vibration-free.
  - No obstacles in detection zone.
  - Not in explosive atmospheres.
  - Not on normally flammable surfaces.
  - Do not look into the light source from a short distance (< 30 cm).
  - Spaced at a distance of at least 50 cm from other LED floodlights.

## XLED PRO ONE S/Plus S/Max S reach

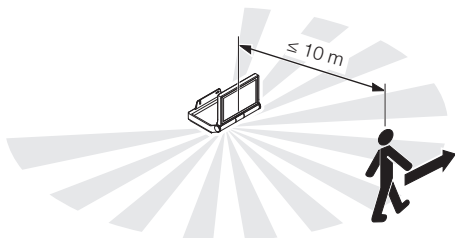
5.1



Detecting motion across the direction in which a person walks.

XLED PRO ONE S/Plus S/Max S

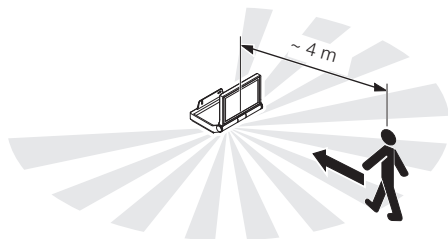
5.2



Detecting motion in the direction in which a person walks.

XLED PRO ONE S/Plus S/Max S

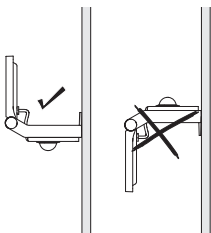
5.3





## Aiming the floodlight

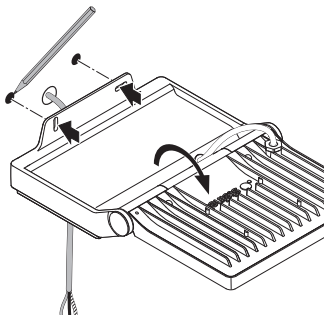
5.4



- Correctly aim floodlight.

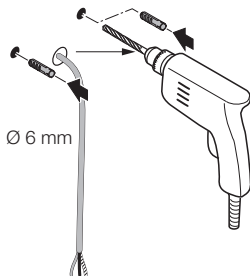
## Mounting procedure

5.5



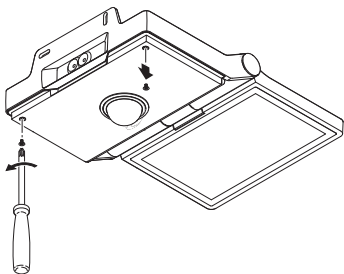
- Check to make sure the power supply is switched OFF.
- Mark drill holes.

5.6



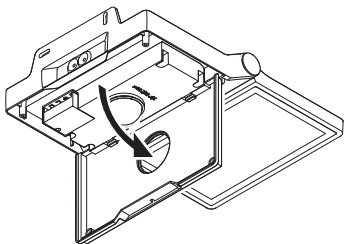
- Drill holes (ø 6 mm) and fit wall plugs.

5.7



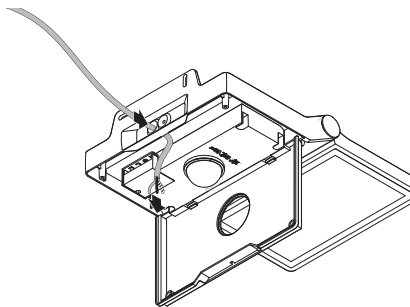
- Unscrew cover.

5.8



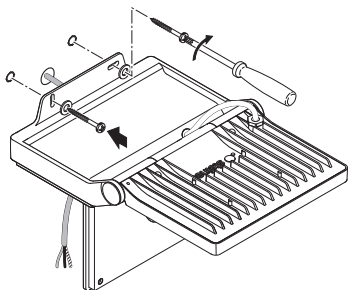
- Open cover.

5.9



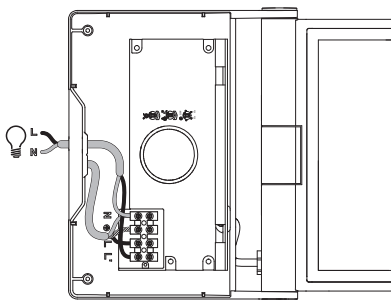
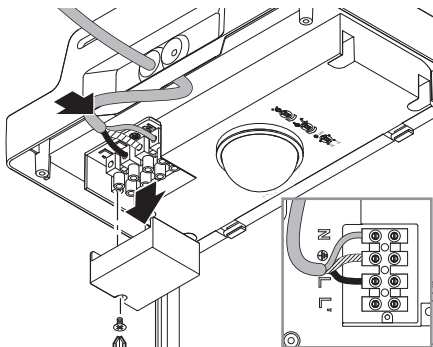
- Pull cable through opening.

5.10



- Screw bracket to mounting surface.

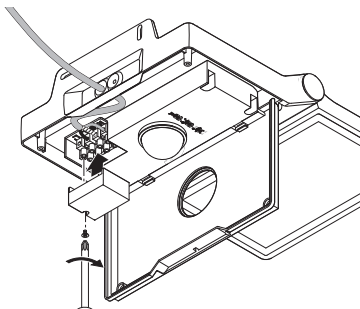
## 5.11



- Unscrew terminal cover.
- Connect mains power supply lead as shown in the wiring diagram.

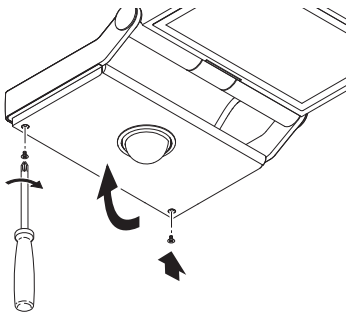
→ "4. Electrical connection"

5.12



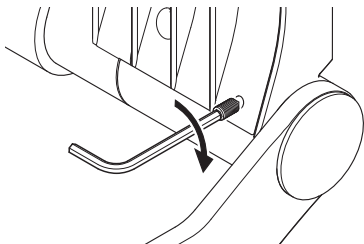
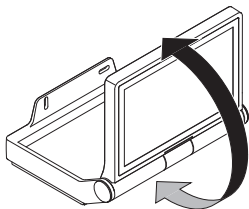
- Screw terminal cover in place.

5.13



- Close cover.
- Screw in retaining screws.

5.14



- Aim floodlight head and fix in place with grub screws.

5.15

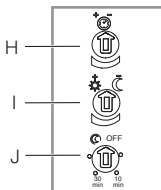
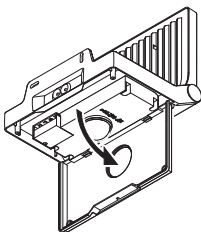
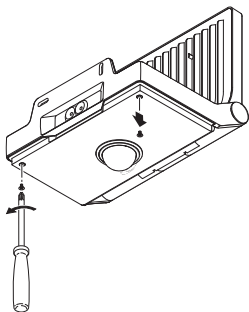


- Switch ON power supply.
  - Setting functions.
- "6. Function"

## 6. Function

### XLED PRO ONE S/Plus S/Max S

#### 6.1



- Remove screws to open cover.
- Make settings.



## Factory settings

- Time setting: 5 seconds
- Twilight setting: Daylight mode 1,000 lux
- Basic light level: OFF

## Time setting (H)

The stay-ON time) can be set to any period from approx. 5 seconds to a maximum of 15 minutes. Every movement detected re-activates the light.

**Note:** After the LED floodlight switches OFF, it takes approx. 1 second before it is able to start detecting movement again. The LED floodlight can then switch ON again in response to movement.

The shortest time setting is recommended when adjusting the detection zone and performing the functional test.

## Twilight setting (I)

The response threshold (twilight) can be infinitely varied from approx. 2 to 2,000 lux.


- ☀ = daylight mode (depending on ambient light level)
- ☾ = night-time operation (approx. 2 lux)

The control dial must be turned to ☀ when adjusting the detection zone and performing the functional test in daylight.

## Basic light level (J)

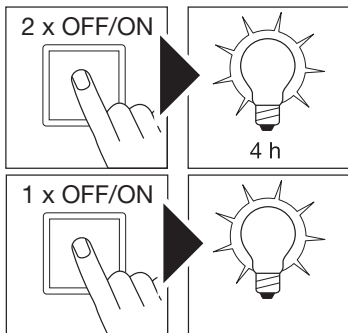
The basic level of lighting from basic light LEDs provides a low level of illumination.

The main light is only switched ON for the preset time in response to movement within the detection zone. The light then switches to the selected basic brightness.

- OFF = no basic light
- 10 min = basic light for 10 minutes upon expiry of the stay-ON time selected.
- 30 min = basic light for 30 minutes upon expiry of the stay-ON time selected.
-  = basic light all night. Basic lighting comes back on again as soon as ambient light level falls below the selected response threshold.

## Manual override

6.2



### 1) Activate manual override:

- Switch OFF and ON twice.

The LED floodlight is set to manual override for 4 hours.  
Then it returns automatically to sensor mode.

### 2) Deactivate manual override:

- Switch OFF and ON once.

Light goes out or switches to sensor operation.

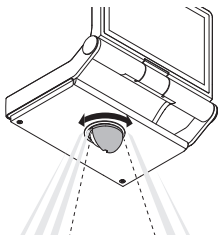
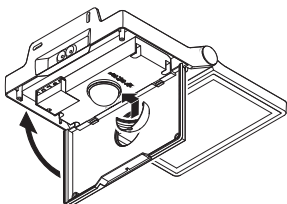
Important:

Switching must take place within 0.2 to 1 second.

## Adjusting the detection zone

To rule out inadvertent triggering or to target specific areas, the detection zone can be limited or adjusted with the shroud.

6.3



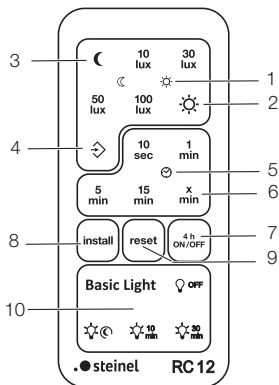
- Fit the shroud on the sensor.
- Fix the shroud in place by closing the cover.

## 7. Remote control accessory

### Remote control RC 12

(EAN 4007841079000)

#### 7.1



- Makes it easier to install larger-scale lighting systems. The LED floodlights can be set in any chosen way once they have been installed.
- Any number of LED floodlights can be controlled via the remote control unit.
- A status LED acknowledges each valid press of a button on the remote control unit.

The RC 12 remote control uses a CR2032-type battery.

The RC 12 remote control can be used for selecting and setting the following XLED PRO ONE S/Plus S/Max S functions:

- 1 **Twilight setting:** The chosen response threshold can be set from approx. 2 to 2,000 lux.  
→ Twilight setting (I)
- 2 **Daylight mode** (depending on ambient light level)
- 3 **Night mode** (2 lux)
- 4 **Light-level setting via the memory button / teach mode** (2-2,000 lux). At the levels of light at which you want the sensor to respond to movement from now on: press button. The current value is stored.
- 5 **Time setting:** The period of time you want the light to stay ON for after the last detected movement can be set to 10 s, 1 min, 5 min, 15 min by pressing these buttons.  
→ Time setting (H)
- 6 **Chosen ON time:** Sets the light to stay ON for a time of your own choice. Each press of the button increments the current time setting by 1 min (up to 15 min).
- 7 **Manual override:**  
Pressing this button in sensor mode switches the LED floodlight ON for 4 h (status LED lights up permanently). Pressing this button in 4 h-ON mode switches the floodlight OFF for 4 h (status LED lights up permanently). The 4 h mode is terminated after the time elapses, by pressing the reset button or, in the 4 h OFF mode ,by pressing the 4 h button.  
→ Manual override

- 8 Install mode (test mode):** Install mode has the purpose of checking for proper working order as well for testing the detection zone. Irrespective of light level, the floodlight switches ON for 10 s in response to movement. Movement is signalled by the status LED. Install mode has priority over all other settings. Install mode ends automatically after 10 min. Install mode ends immediately after pressing reset.  
Note: Teach mode and Install mode cannot be used at the same time.
- 9 Reset:** Resets all settings to the values manually selected on the floodlight or to the factory settings.
- 10 Basic light level:** The basic level of lighting from basic light LEDs provides a low level of illumination. The main light is only switched ON for the preset time in response to movement within the detection zone. The light then switches to the selected basic brightness.  
→ Basic light level (J)

### **Intelligent remote control (optional)**

(EAN 4007841009151)

- Control via smartphone or tablet.
- Replaces the remote control.
- Load appropriate app and connect via Bluetooth.

## 8. Cleaning and maintenance

The tool requires no maintenance.



**Hazard from electrical power.**

Contact between water and live parts can result in electrical shock, burns or death.

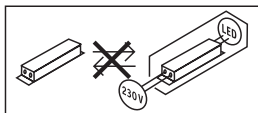
- Only clean tool in a dry state.

### **Risk of damage to property!**

Using the wrong cleaning product can damage the light.

- Clean tool with a moist cloth without detergent.

**Important note:** The control gear cannot be replaced.





## 9. Disposal

Electrical and electronic equipment, batteries, accessories and packaging must be recycled in an environmentally compatible manner.



**Do not dispose of batteries or electrical and electronic equipment as domestic waste.**

The remote control contains a battery of type CR 2032 (lithium manganese dioxide/organic electrolyte).

### **EU countries only:**

Under the current European Directive on Waste Electrical and Electronic Equipment and its implementation in national law, batteries and electrical and electronic equipment no longer suitable for use must be collected separately and recycled in an environmentally compatible manner.

## 10. Manufacturer's warranty

As purchaser, you are entitled to your statutory rights against the vendor. If these rights exist in your country, they are neither curtailed nor restricted by our Warranty Declaration. We guarantee that your STEINEL Professional sensor product will remain in perfect condition and proper working order for a period of 5 years. We guarantee that this product is free from material-, manufacturing- and design flaws. In addition, we guarantee that all electronic components and cables function in the proper manner and that all materials used and their surfaces are without defects.

### Making Claims

If you wish to make a claim, please send your product complete and carriage paid with the original receipt of purchase, which must show the date of purchase and product designation, either to your retailer or contact us at **STEINEL (UK) Limited, 25 Manasty Road, Axis Park, Orton Southgate, Peterborough, PE2 6UP**, for a returns number. For this reason, we recommend that you keep your receipt of purchase in a safe place until the warranty period expires. STEINEL shall assume no liability for the costs or risks involved in returning a product.

For information on making claims under the terms of the warranty, please go to **[www.steinel-professional.de/garantie](http://www.steinel-professional.de/garantie)**

If you have a warranty claim or would like to ask any question regarding your product, you are welcome to call us at any time on our Service Hotline **01733 366700**.

**5 YEAR**  
MANUFACTURER'S  
WARRANTY

## 11. Technical specifications

- Dimensions (H x W x D):
  - XLED PRO ONE S: 230 x 229 x 182 mm*
  - XLED PRO ONE PLUS S/Max S: 250 x 259 x 202 mm*
  - XLED PRO ONE: 206 x 229 x 182 mm*
  - XLED PRO ONE PLUS/Max: 226 x 259 x 202 mm*
- Power supply: *220-240 V, 50/60 Hz*
- Output/efficiency:
  - XLED PRO ONE S: 118.9 lm/W*
  - XLED PRO ONE PLUS S: 135 lm/W*
  - XLED PRO ONE Max S: 125.7 lm/W*
  - XLED PRO ONE: 123.6 lm/W*
  - XLED PRO ONE PLUS: 136.6 lm/W*
  - XLED PRO ONE Max: 128 lm/W*
- Luminous flux / brightness:
  - XLED PRO ONE S: 2,200 lm*
  - XLED PRO ONE PLUS S: 4,550 lm*
  - XLED PRO ONE Max S: 6,350 lm*
  - XLED PRO ONE: 2,250 lm*
  - XLED PRO ONE PLUS: 4,630 lm*
  - XLED PRO ONE Max: 6,300 lm*
- Power consumption:
  - XLED PRO ONE S: 18.5 W*
  - XLED PRO ONE PLUS S: 33.7 W*
  - XLED PRO ONE Max S: 50.5 W*
  - XLED PRO ONE: 18.2 W*
  - XLED PRO ONE PLUS: 33.9 W*
  - XLED PRO ONE Max: 49.2 W*
- Projected floodlight area:
  - XLED PRO ONE S: 180 cm<sup>2</sup>*
  - XLED PRO ONE PLUS S/Max S: 254 cm<sup>2</sup>*
  - XLED PRO ONE: 180 cm<sup>2</sup>*
  - XLED PRO ONE PLUS/Max 254 cm<sup>2</sup>*

- *Weight*
  - XLED PRO ONE S: 1.45 kg*
  - XLED PRO ONE PLUS S: 1.7 kg*
  - XLED PRO ONE Max S: 1.72 kg*
  - XLED PRO ONE: 1.4 kg*
  - XLED PRO ONE PLUS: 1.7 kg*
  - XLED PRO ONE Max: 1.72 kg*
- *Mains current:*
  - XLED PRO ONE S: 86.73 mA*
  - XLED PRO ONE PLUS S: 233.1 mA*
  - XLED PRO ONE Max S: 158.4 mA*
  - XLED PRO ONE: 88.28 mA*
  - XLED PRO ONE PLUS: 233.3 mA*
  - XLED PRO ONE Max: 160.7 mA*
- *Power factor:*
  - XLED PRO ONE S: 0.8278*
  - XLED PRO ONE PLUS S: 0.9328*
  - XLED PRO ONE Max S: 0.9057*
  - XLED PRO ONE: 0.841*
  - XLED PRO ONE PLUS: 0.9376*
  - XLED PRO ONE Max: 0.9093*
- *Light colour:* *3,000 K (warm white)*
- *Colour rendering index:* *R<sub>a</sub> ≥ 80*
- *Sensor technology:*
  - XLED PRO ONE S/PLUS S/Max S: passive infrared*
- *Reach:*
  - XLED PRO ONE S/PLUS S/Max S: Max. 10 m*
- *Angle of coverage:*
  - XLED PRO ONE S/PLUS S/Max S: 240°*
- *Time setting:*
  - XLED PRO ONE S/PLUS S/Max S: 8 s - 35 min*
- *Twilight setting:*
  - XLED PRO ONE S/PLUS S/Max S: 2-2,000 lux*
- *IP protection rating:* *IP44/I*

## Additional switching capacity

### XLED PRO ONE S/PLUS S/Max S:

- Incandescent / halogen lamp load:	1,500 W
- Fluorescent lamps, electronic ballasts:	430 W
- Fluorescent lamps, uncorrected:	500 VA
- Fluorescent lamps, series-corrected:	900 VA
- Fluorescent lamps, parallel-corrected:	500 VA
- Low-voltage halogen lamps:	1,500 VA
- LED lamps < 2 W:	16 W
- 2 W < LED lamps < 8 W:	64 W
- LED lamps > 8 W:	64 W
- Capacitive load:	88 $\mu$ F

## 12. Troubleshooting

### Unit without power.

- Fuse not switched ON or faulty.
  - Switch ON fuse.
  - Change faulty fuse.
- Break in wiring.
  - Check wiring with voltage tester.
- Short circuit in mains power supply lead.
  - Check connections.
- Any mains switch OFF
  - Switch ON mains switch.

### **Unit does not switch ON.**

- Wrong twilight setting selected.
  - Reset twilight setting.
- Mains switch OFF.
  - Turn on mains switch.
- Fuse not switched ON or faulty.
  - Switch ON fuse.
  - Change faulty fuse.
- Rapid movements being suppressed to minimise malfunctioning, or detection zone too small or incorrectly defined.
  - Check and adjust detection zone.
- Light source faulty.
  - The light source cannot be changed. Completely replace unit.

### **Unit does not switch OFF.**

- Continued movement within the detection zone.
  - Check detection zone.
  - If necessary, limit or change detection zone.

### **Unit switches ON when it should not.**

- Floodlight not mounted for detecting movement reliably.
  - Securely mount floodlight.
- Movement occurred but not identified by the observer (movement behind wall, small object moving in immediate proximity of lamp etc.).
  - Check detection zone.
  - If necessary, limit or change detection zone.

---

**STEINEL Vertrieb GmbH**  
Dieselstraße 80-84  
33442 Herzebrock-Clarholz  
Tel: +49/5245/448-188  
[www.steinel.de](http://www.steinel.de)



**Contact**

[www.steinel.de/contact](http://www.steinel.de/contact)

