



MASTER LEDspot ExpertColor LV

MAS LED ExpertColor 6.7-35W MR16 930 24D

MASTER LEDspot LV ExpertColor creates a warm and comfortable ambience for hospitality venues, homes and restaurants. It creates such an ambience with superior lighting that has a customized spectrum, high CRI, and deep dimming feature. The result? A beautiful lighting experience. What's more, the innovative, trimless lens design will suit almost any interior decor with its clean and neat look. In addition, you can take advantage of the full ExpertColor family, which also includes LEDspot MV and LEDspot Par lamps.

Product data

| General Information | | Luminous Flux in 90° Cone (Rated) | |
|---------------------------------------|--------------------|-----------------------------------|--------------------|
| Cap-Base | GU5.3 [GU5.3] | | 440 lumen |
| Nominal lifetime | 40,000 hour(s) | Operating and Electrical | |
| Switching Cycle | 50,000 | Line Frequency | - Hz |
| Lighting Technology | LED | Input Frequency | - Hz |
| Flux measurement reference | Narrow Cone | Power Consumption | 6.7 W |
| Light Technical | | Lamp Current (Nom) | 650 mA |
| Color Code | 930 [CCT of 3000K] | Wattage Equivalent | 35 W |
| Beam Angle (Nom) | 24 degree(s) | Starting Time (Nom) | 0.5 s |
| Luminous Flux | 440 lumen | Warm-up time to 60% light | 0.5 s |
| Luminous Intensity (Nom) | 2,200 cd | Power Factor (Fraction) | 0.7 |
| Color Designation | White (WH) | Voltage (Nom) | ac electronic 12 V |
| Correlated Color Temperature (Nom) | 3000 K | Temperature | |
| Luminous Efficacy (rated) (Nom) | 65.00 lm/W | T-Case Maximum (Nom) | 92 °C |
| Color Consistency | <3 | | |
| Color rendering index (CRI) | 97 | | |
| LLMF At End Of Nominal Lifetime (Nom) | 70 % | | |

MASTER LEDspot ExpertColor LV

Controls and Dimming

| | |
|----------|----------------------------|
| Dimmable | Only with specific dimmers |
|----------|----------------------------|

Mechanical and Housing

| | |
|------------|-------------------|
| Bulb Shape | MR16 [2inch/50mm] |
|------------|-------------------|

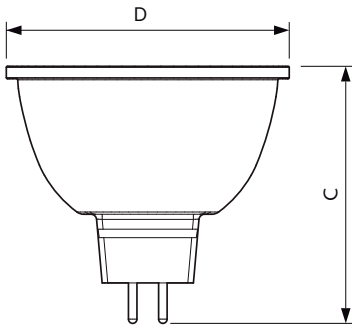
Approval and Application

| | |
|-------------------------------|---------|
| Suitable For Accent Lighting | Yes |
| Energy Consumption kWh/1000 h | 7 kWh |
| EPREL Registration Number | 624,214 |
| CE mark | Yes |
| EU RoHS compliant | Yes |

Product Data

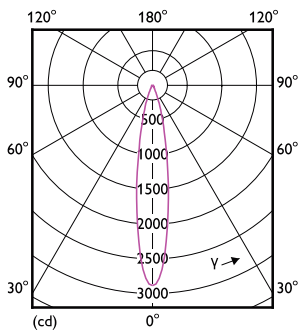
| | |
|---------------------------------|--|
| Full product code | 871951435855300 |
| Order product name | MAS LED ExpertColor 6.7-35W MR16 930 24D |
| Order code | 929003079202 |
| Numerator - Quantity Per Pack | 1 |
| Numerator - Packs per outer box | 10 |
| Material number (12NC) | 929003079202 |
| Full product name | MAS LED ExpertColor 6.7-35W MR16 930 24D |
| EAN/UPC - Case | 8719514358560 |

Dimensional drawing

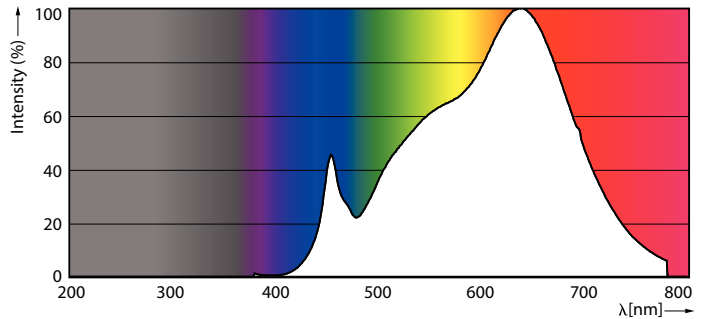


| Product | D | C |
|--|---------|-------|
| MAS LED ExpertColor 6.7-35W MR16 930 24D | 50.5 mm | 46 mm |

Photometric data



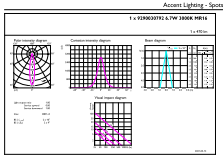
Light Distribution Diagram - MAS LED ExpertColor 6.7-35W MR16 930 24D



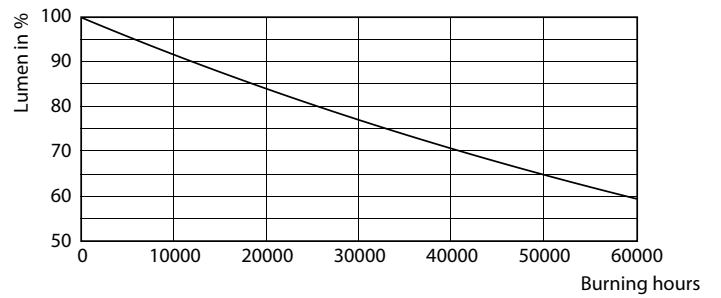
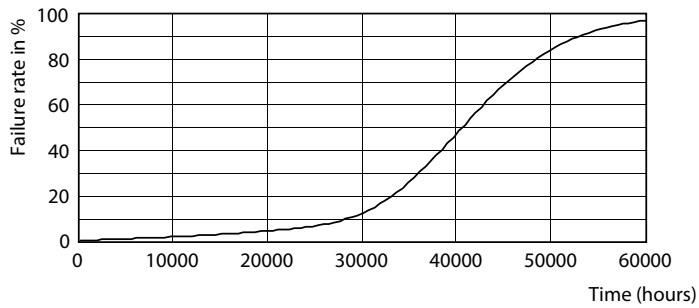
Spectral Power Distribution Colour - MAS LED ExpertColor 6.7-35W MR16 930 24D

MASTER LEDspot ExpertColor LV

Photometric data



Lifetime



Life Expectancy Diagram - MAS LED ExpertColor 6.7-35W MR16 930 24D

Lumen Maintenance Diagram - MAS LED ExpertColor 6.7-35W MR16 930 24D

