

SPECIFICATIONS

Power Supply	12V	Dimming Type	5-grade brightness touch dimmer
Lamp Illumination	> 1000LUX	Power wattage	7W
CRI	> 80Ra	Luminous Flux	> 420Lm
Lamp Color Temperature	Cold light: 5500K±500K Warm light: 3000K±280K Natural Light: 4200K±400K		

Warranty Card

Applicable for

- * Since buying date, the user enjoys one year free repair services under normal use. After one year, will be charged according to each component part cost.
- * In case change component part, will be charged according to our company's component part cost list.
- * The following situations not free repair in warranty period:
 - 1) Damage caused by natural earthquake, rat disaster, and unusual use.
 - 2) Damage caused in transportation, fall, and improper storage.
 - 3) Consumable component, such as spare parts, batteries, light bulbs, etc.
 - 4) Warranty information records is not complete, no purchase date, no buying shop seal, etc.
 - 5) Featured using environment, such as humidity, sulfur area, high salty and the ship, etc. easy corrosion area.
 - 6) Using not according to the instructions.
 - 7) Special offer.
- * When return to factory for repair, the user should make sure the LED lamp packed properly to avoid any damage during transportation.
- * Factory not responsible for the damages caused by the user themselves unproper disassemble.

Important
Thank you for purchasing our products.
To guarantee your rights, please fill in this from properly. Thank you

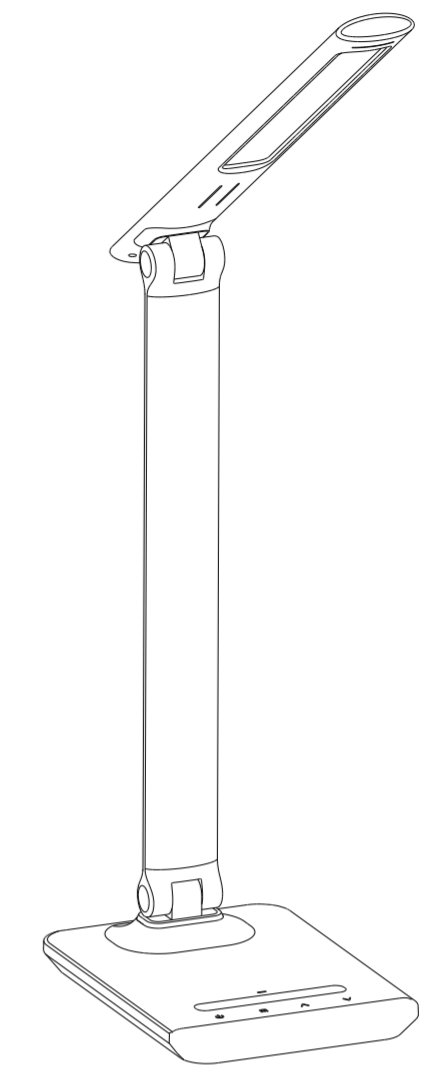
Name
Address
Telephone
Invoice number
Purchase date
Item number
Dealers Note: this field requires the dealers seal!

Warning: please keep this warranty paper for repair presentation.

Attention

- * Do not self-disassemble the product, to avoid any electric shock.
- * Please use supplier's specified adapter and power socket, to maintain normal working.
- * Please do not over-adjusting the joint activity parts, to avoid any damage to the lamp.
- * Please do not put the lamps on the unstable desk to avoid the lamps dropping out.
- * Please do not put the lamp into high temperature or high-humidity environment.
- * Please do not look at the LED light source straightly, to avoid your eyes hurt.
- * In case below conditions occur, please pull out the power cord, stop using:
 - * The power cord or power plug break
 - * The lamp holder damp or rain
 - * The shell and joint activities of the lamp holder breaks
 - * The lamp holder smokes or sparks
 - * The abnormal flickering or break of the LED light bulb
- * If needed, please call for support staff:

THORGEON LED TABLE LAMP 09002

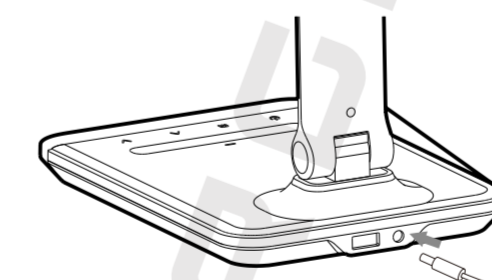


Instruction

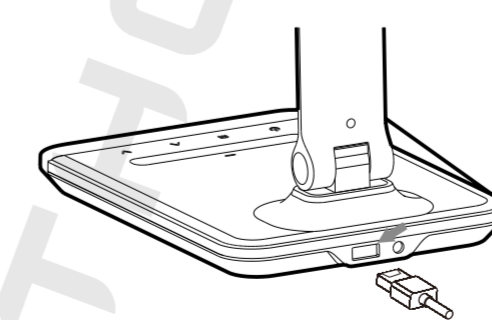
FUNCTION

- * High quality imitated leather design, can be used for long time. Advanced precision etching technology, to show more realistic imitated leather effect.
- * Touchable sliding for brightness, make it more convenient.
- * 5-grade brightness meet different lighting requirements.
- * 3 color temperature to choose (Cold light, Warm light, Natural light)
- * USB output, suitable for the devices that current is less than 2.1A
- * Nightlight function, 7-color's temperature is adjustable.

USE MANUAL

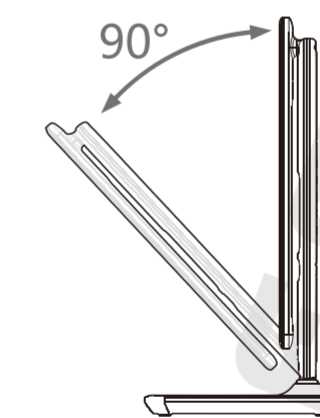


Insert the adaptor head into the socket behind the lamp
Notice: The power supply in the box is only for this lamp, forbid to use in other electrical appliances.

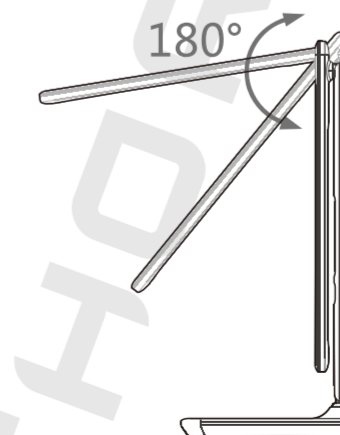


USB output: DC5V/2.1A
Notice: USB can only charge for the devices that current is less than 2.1A.

USE MANUAL



- * Lamp arm can be fold-able to 90° angle
- * Please hold the lamp base when you adjust lamp arm angle



- * Lamp head can be fold-able to 180° angle (It may be broken if you over-adjust)

OPERATING INSTRUCTION



* Instruction of Button (as image)

- Power On/Off
- Cold light-Warm light-Natural Light
- Turn up brightness
- Turn down brightness

* Instruction of Nightlight Button (As image)



* Touch the power icon 1 second for power on/off nightlight, touch the power icon 3 seconds for nightlight color changing automatically or adjusting color option.