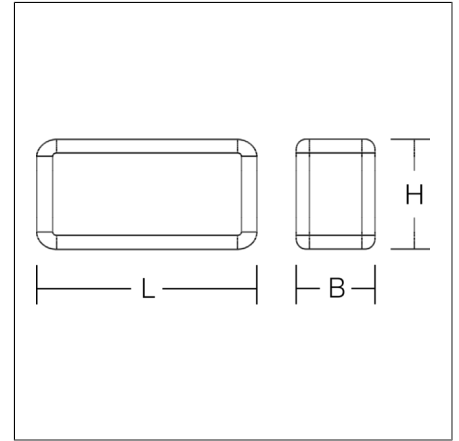




Wall luminaires
4051859985877
L 250, B 90, H 140

Wall (surface)
anodised aluminium



Luminaire for escape route identification. Housing: aluminium, with plastic corner connectors. Display panel: plastic, opal, with legend on one side. Electronic ballast included. Self-contained system with automatic self-test and feedback to the RZB monitoring system MULTIDIGIT. Please indicate legend number when placing your order!

Product specifications

Typ of emergency lighting	Self-contained system
Monitoring	MultiDigit
Battery	LiFePO4
Duration	3 h
Operating mode	maintained power mode
Viewing Distance	21 m
Length L	250 mm
Width B	90 mm
Height H	140 mm
Weight	1.22 kg
Light source	LED
Colour temperature	4000 K
System power, mains operation	3,1 W undefined W
Colour rendering index (CRI)	70
Photobiological safety according to EN 62471	Risk group 1
Driver	Converter
Control	on/off
Voltage	220 - 240 V / 50 Hz, 60 Hz
CIE Flux Code / CEN Flux Code	34 63 85 72 100
Type of protection	IP 44
Protection class	I
Filament test	650 °C
Impact resistance	IK03
Ambient temperature for maintained power	0 °C ... + 25 °C
Ambient temperature for non-maintained power mode	5 °C ... + 40 °C
Conformity mark	CE, EAC