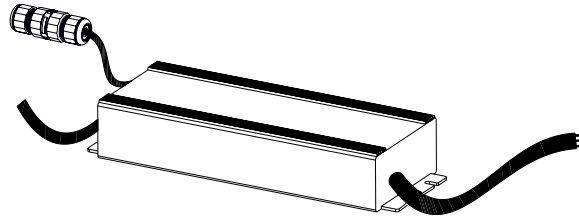
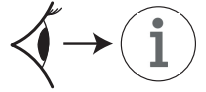


# Smart [PRO]e

# GEWISS



GWP20010 1-10V

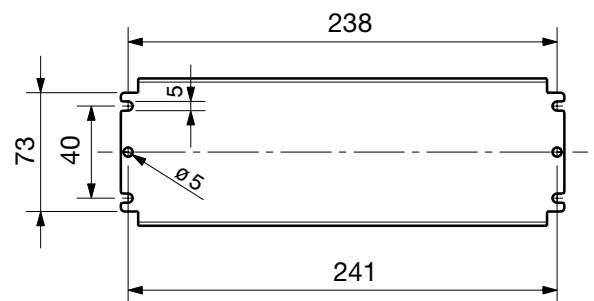
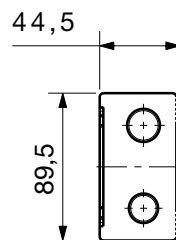
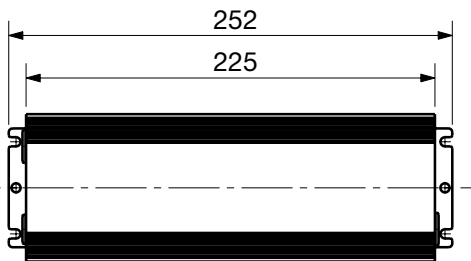


**IP66**

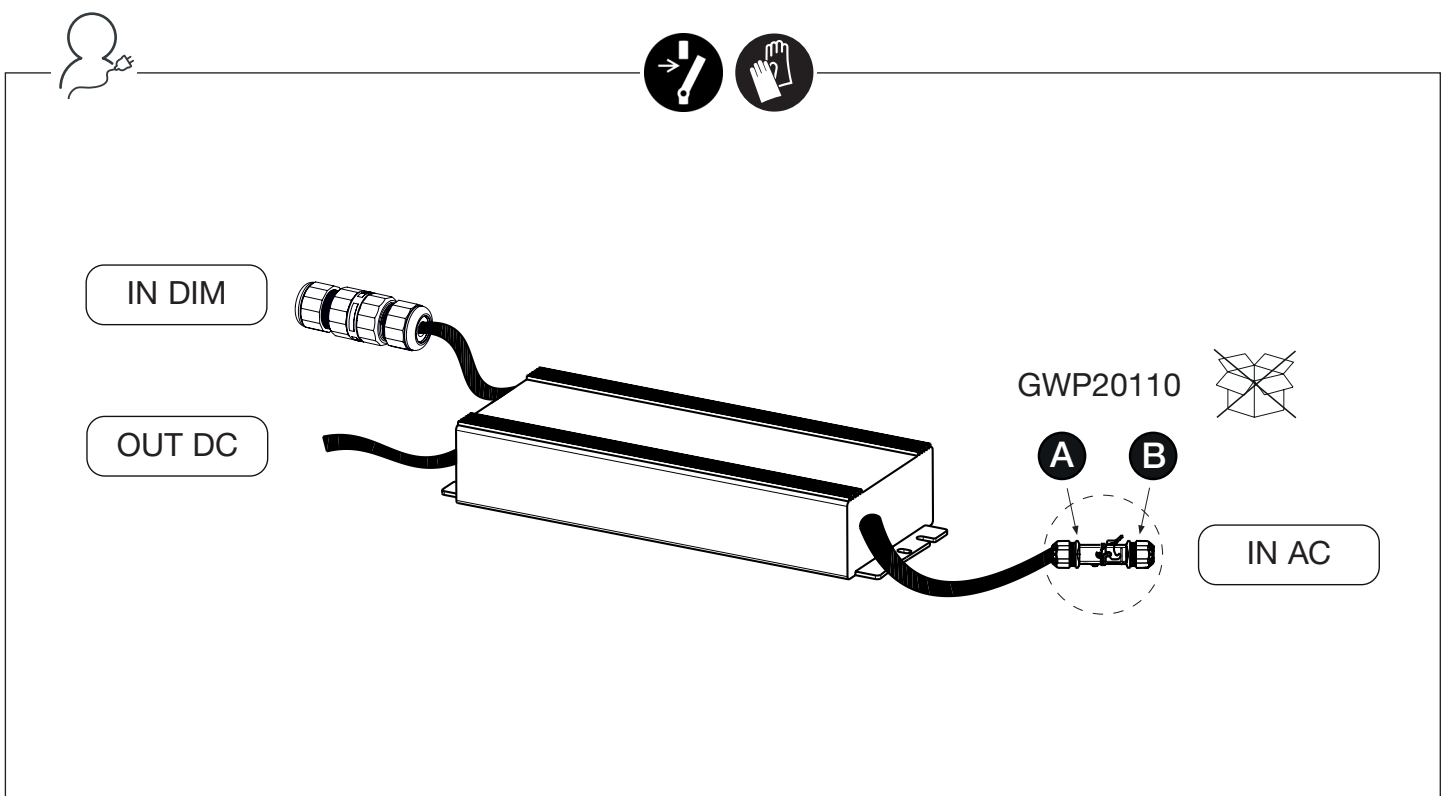
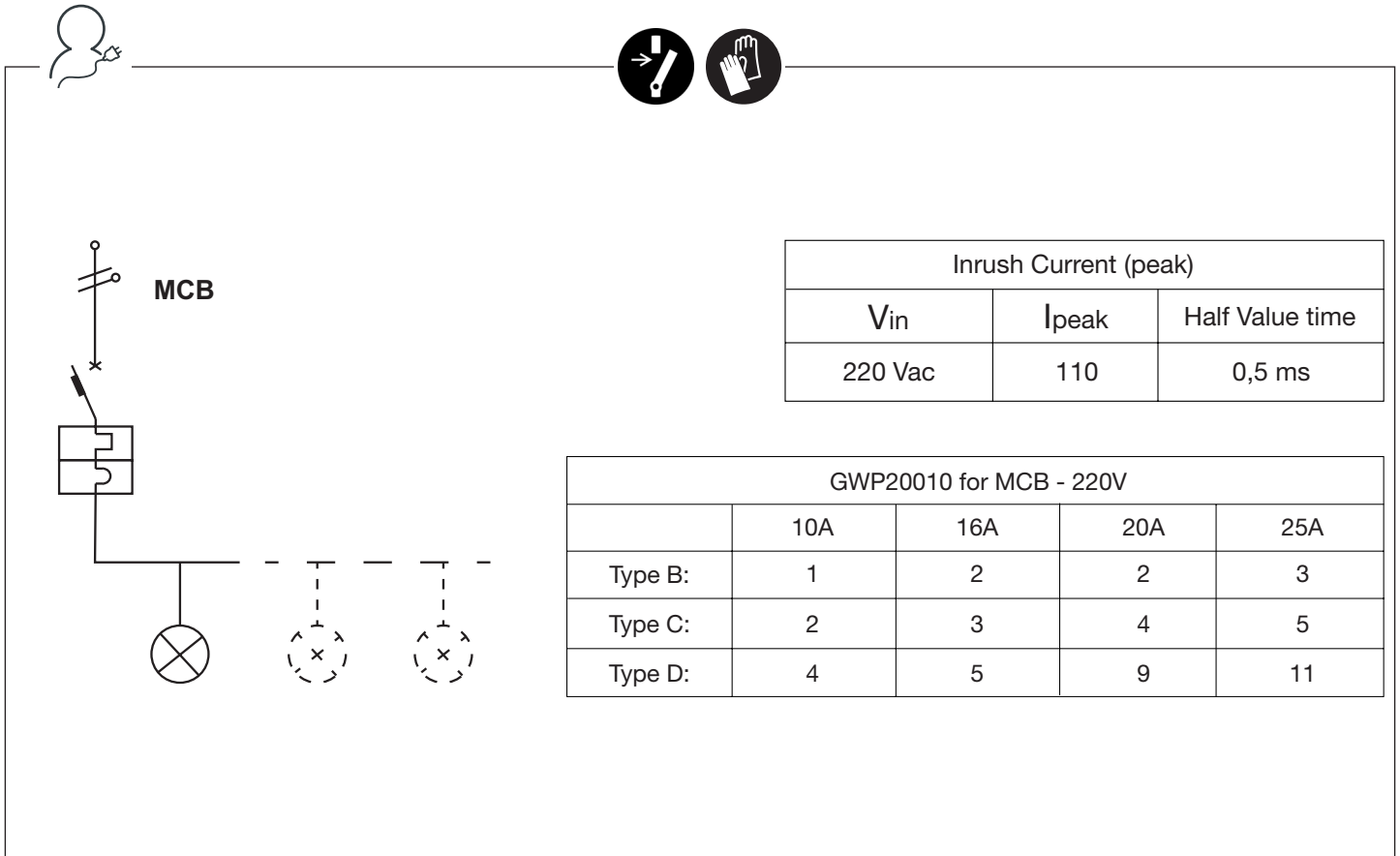


+50°C  
-30°C

	<b>V</b>	<b>I</b>	<b>U<sub>out</sub></b>
1-10V	220-240Vac	Max 1,4A	Max 340V <sup>~</sup>

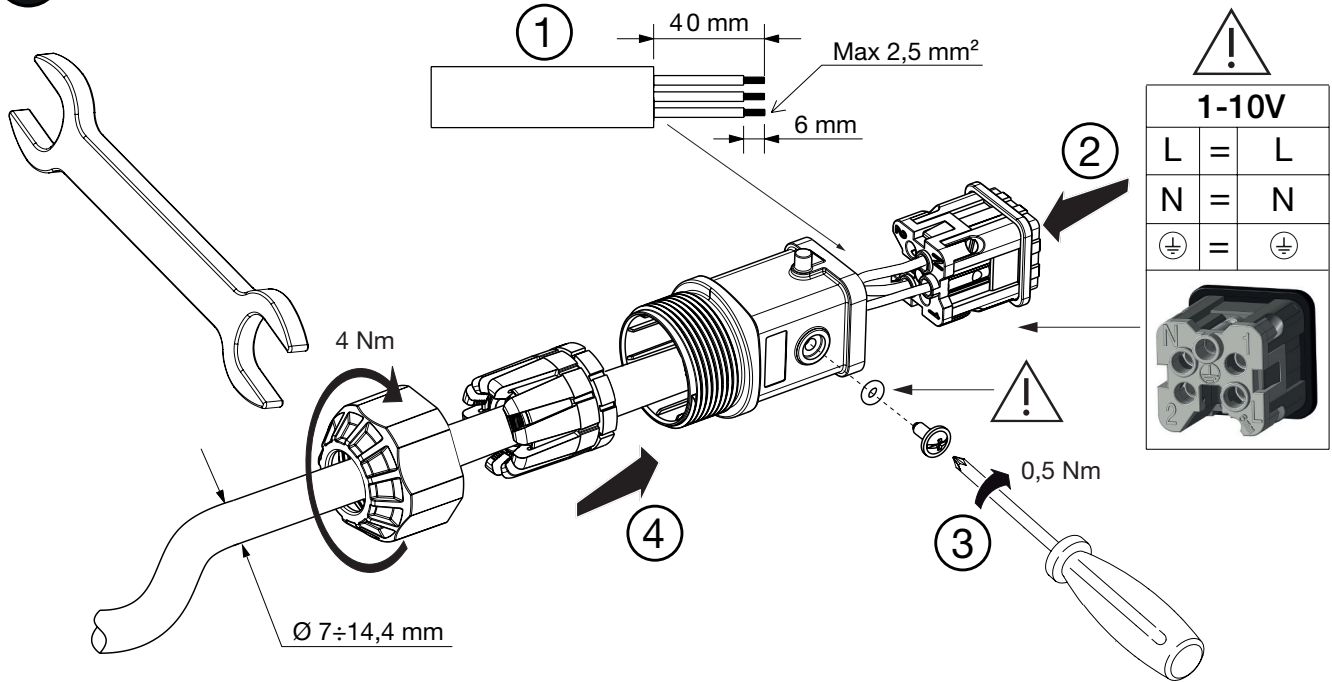


**Kg** Max 2 kg

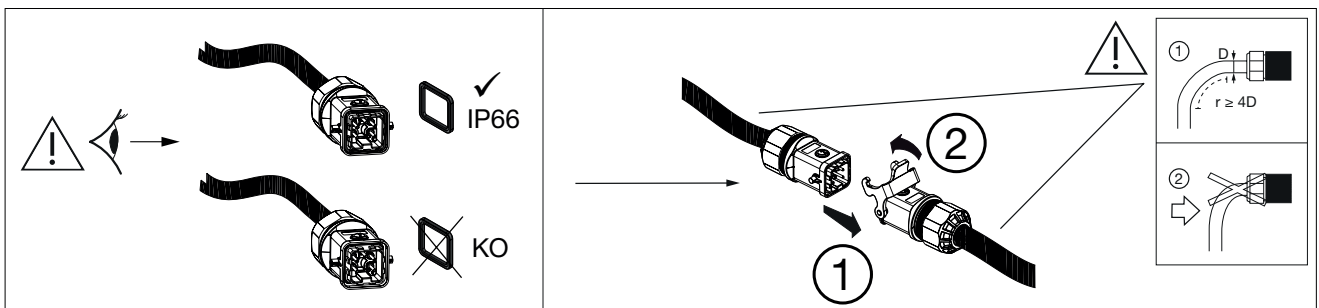
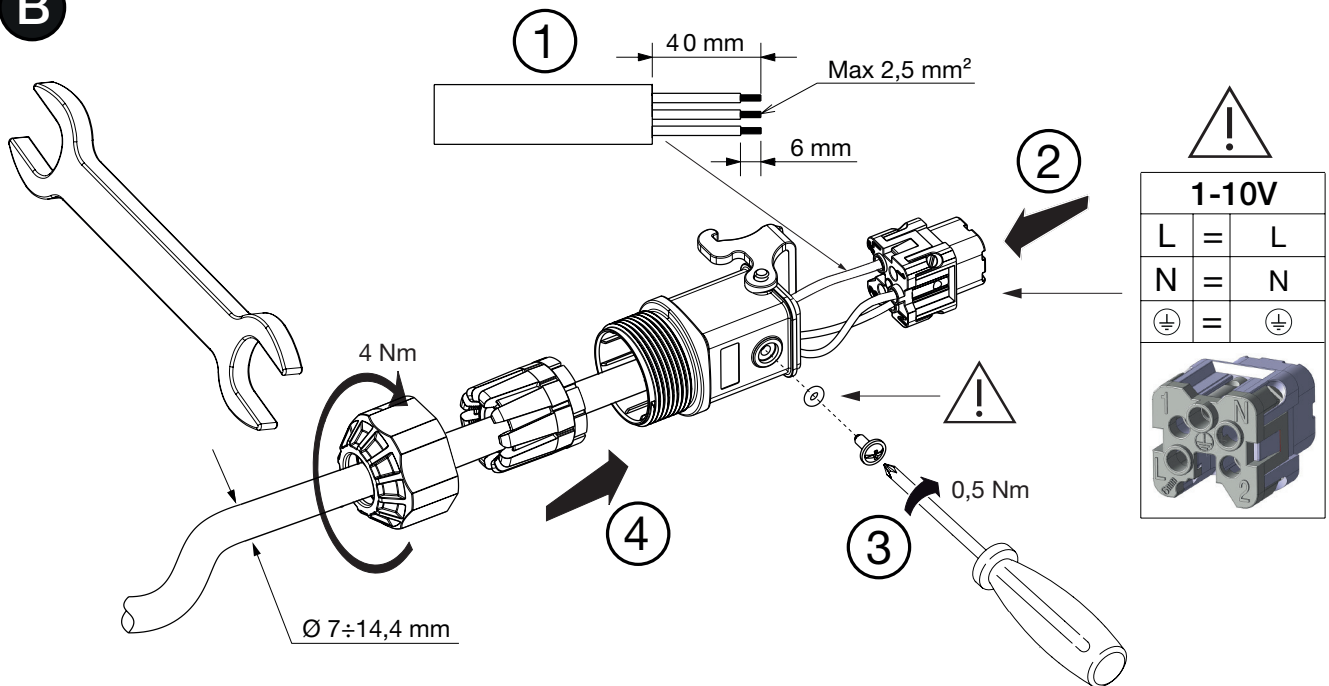




**A**

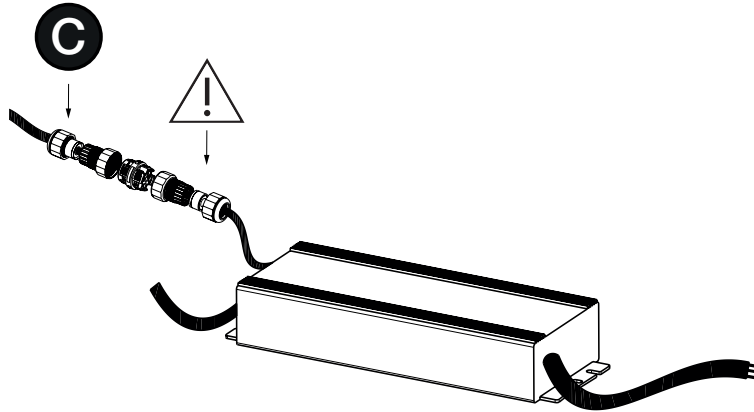


**B**





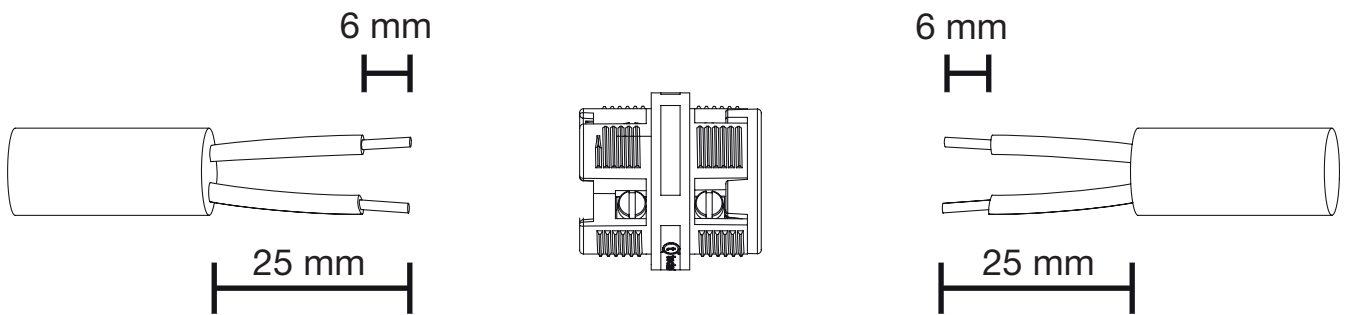
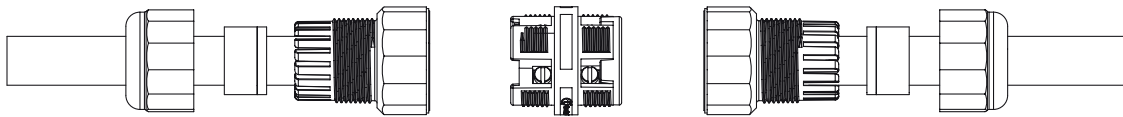
1-10V



!

1-10V		
2	=	DIM-
3	=	DIM+

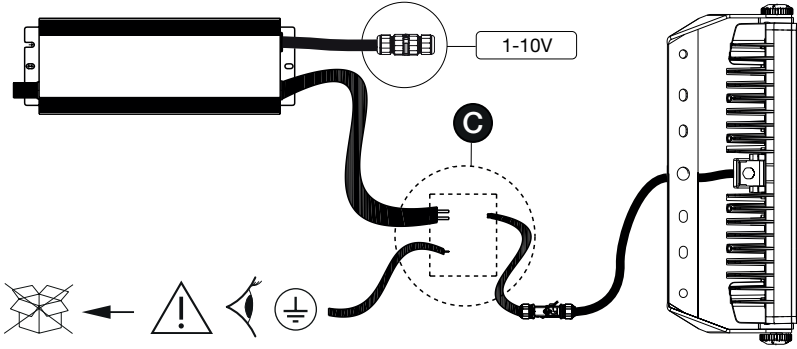
**C**



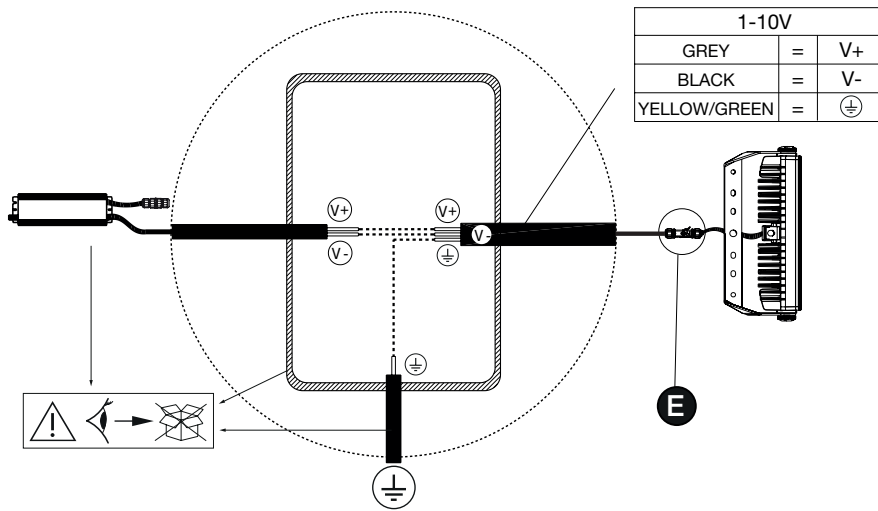


OUT

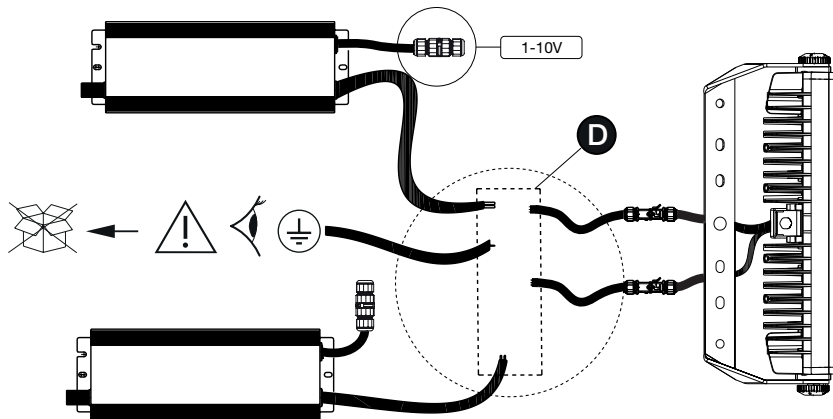
**C**



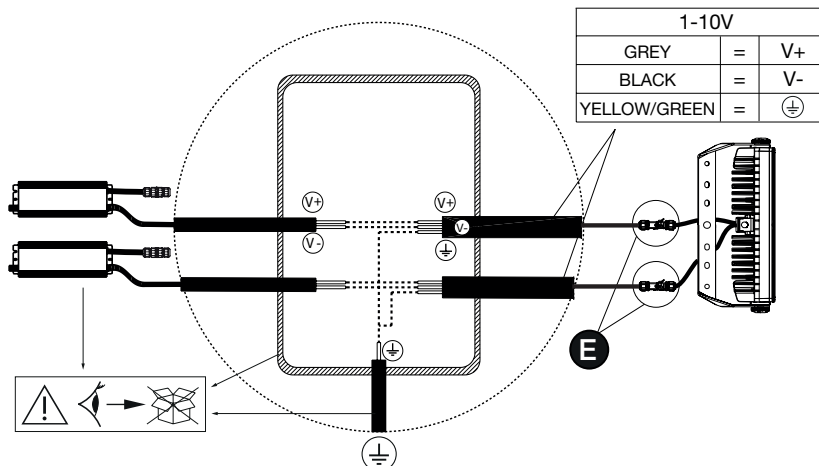
GWP2234A..



**D**

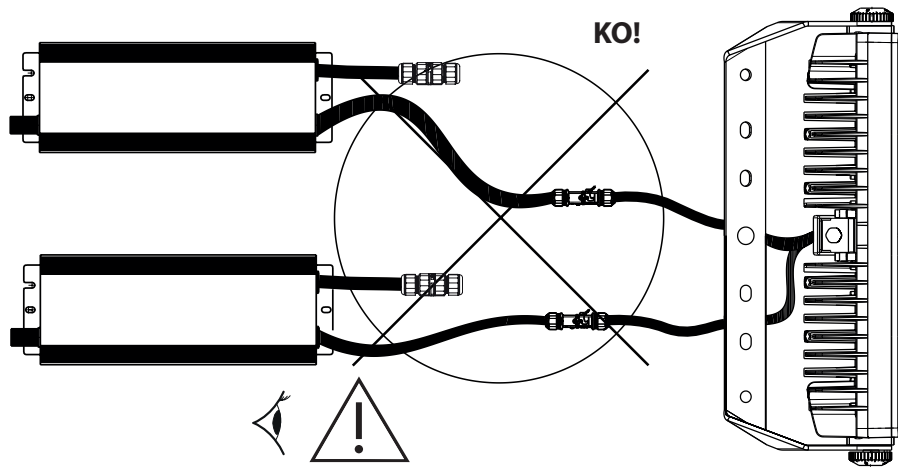
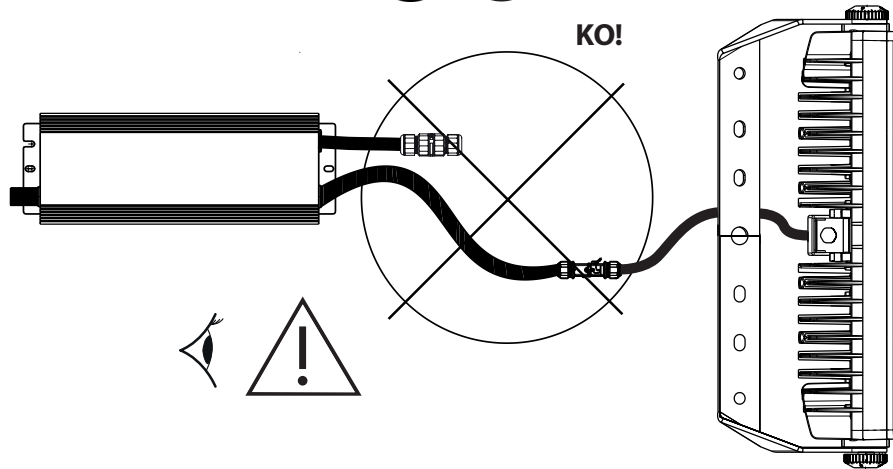


GWP2434A..

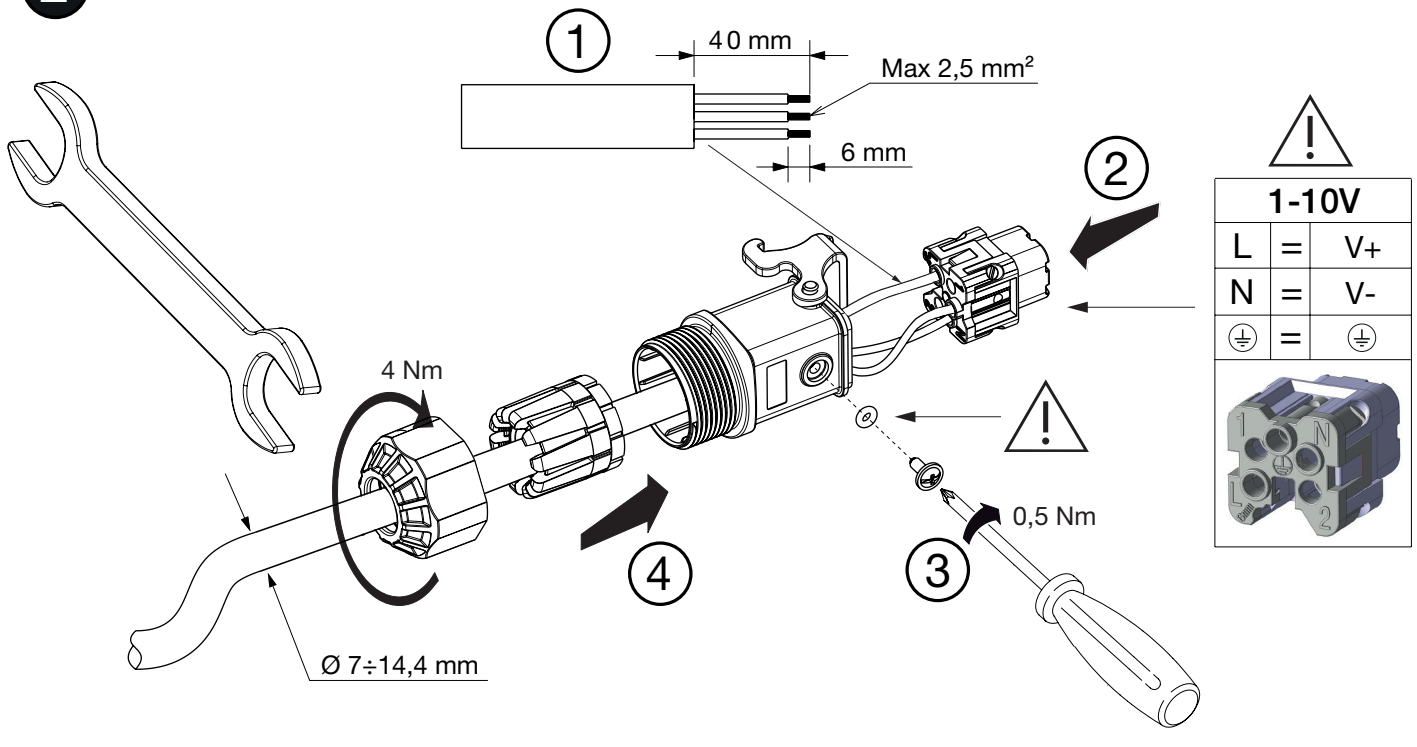


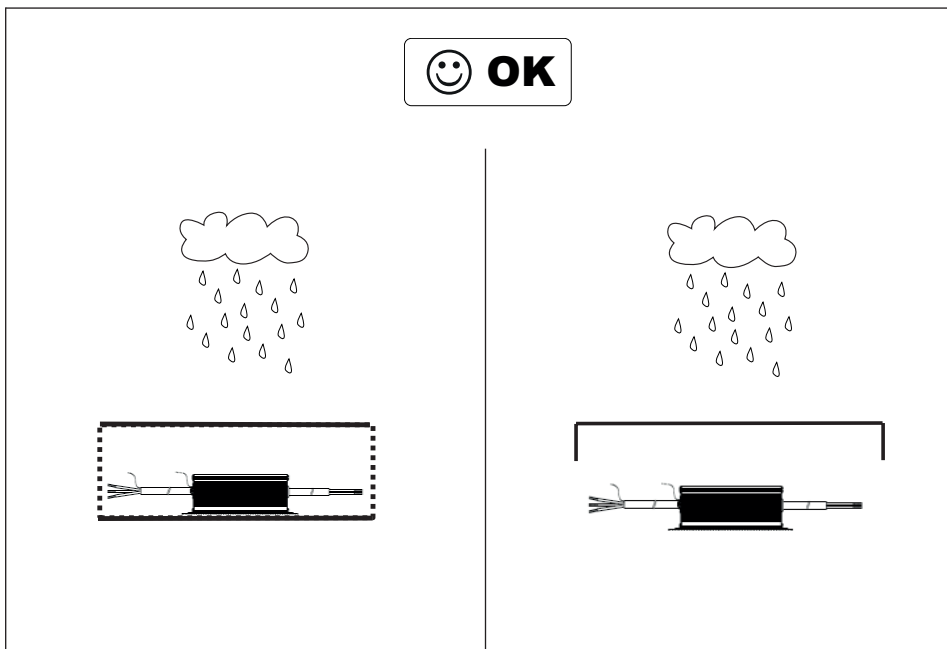
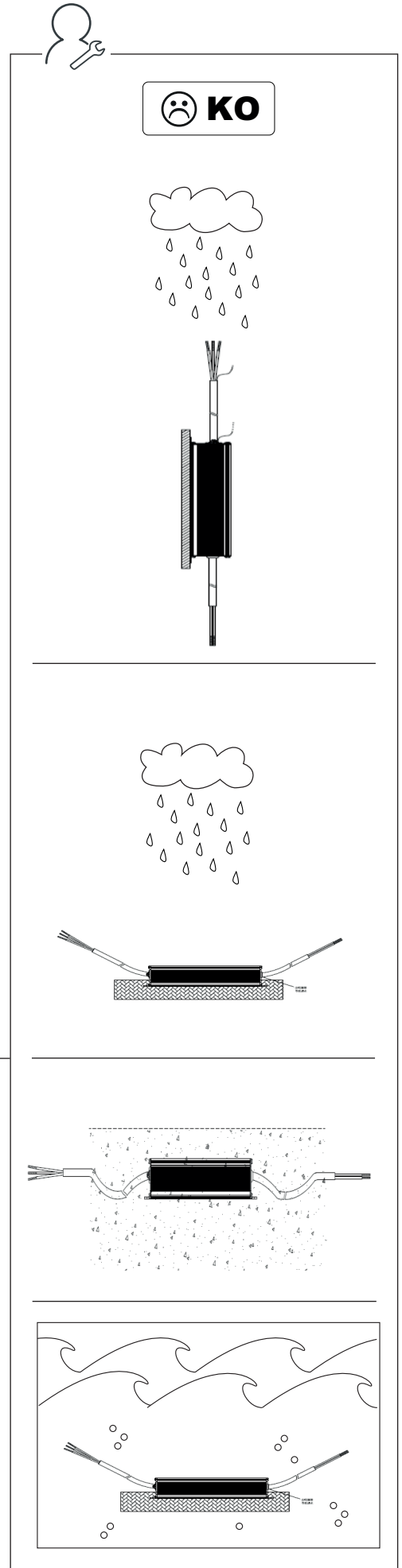
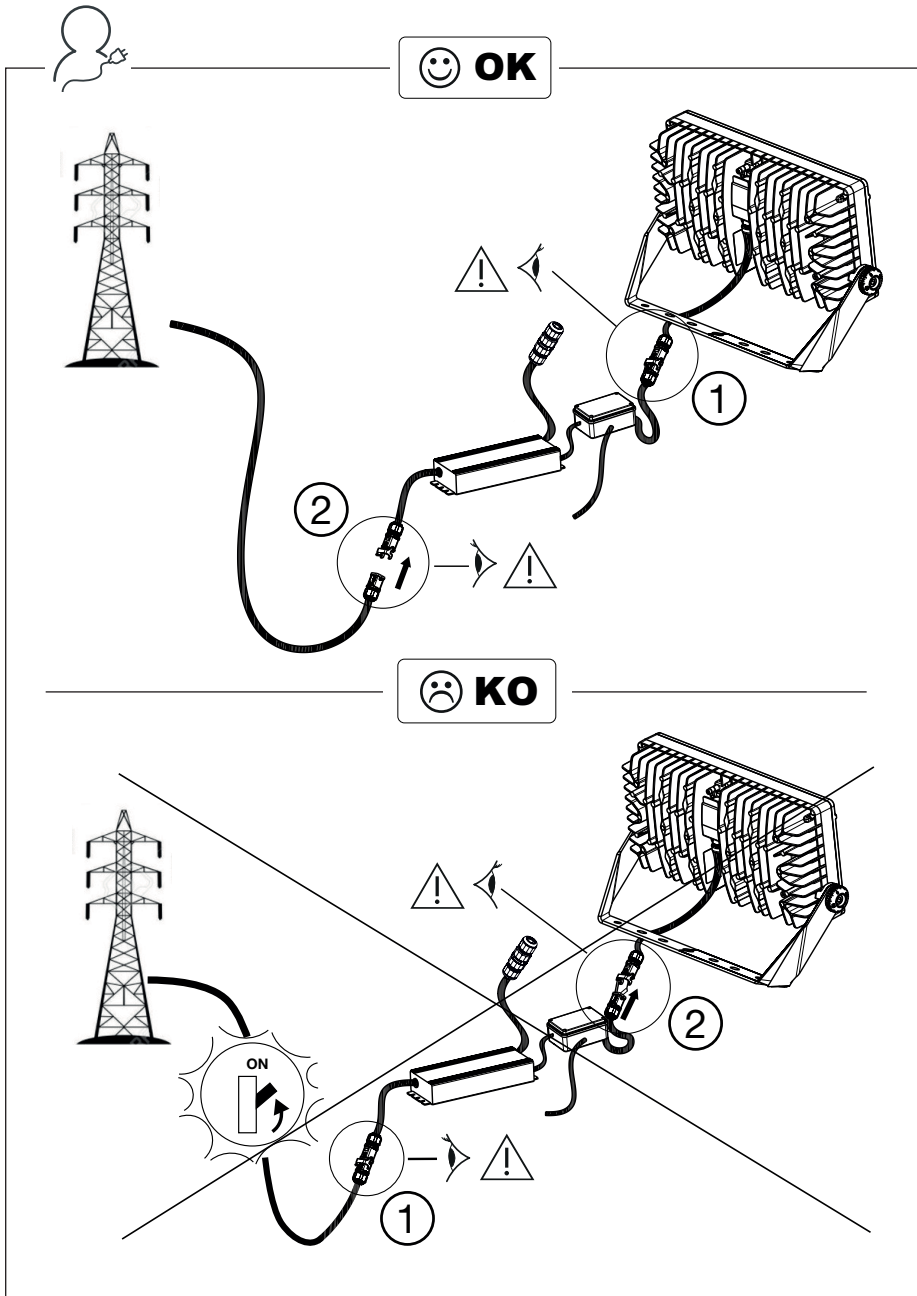


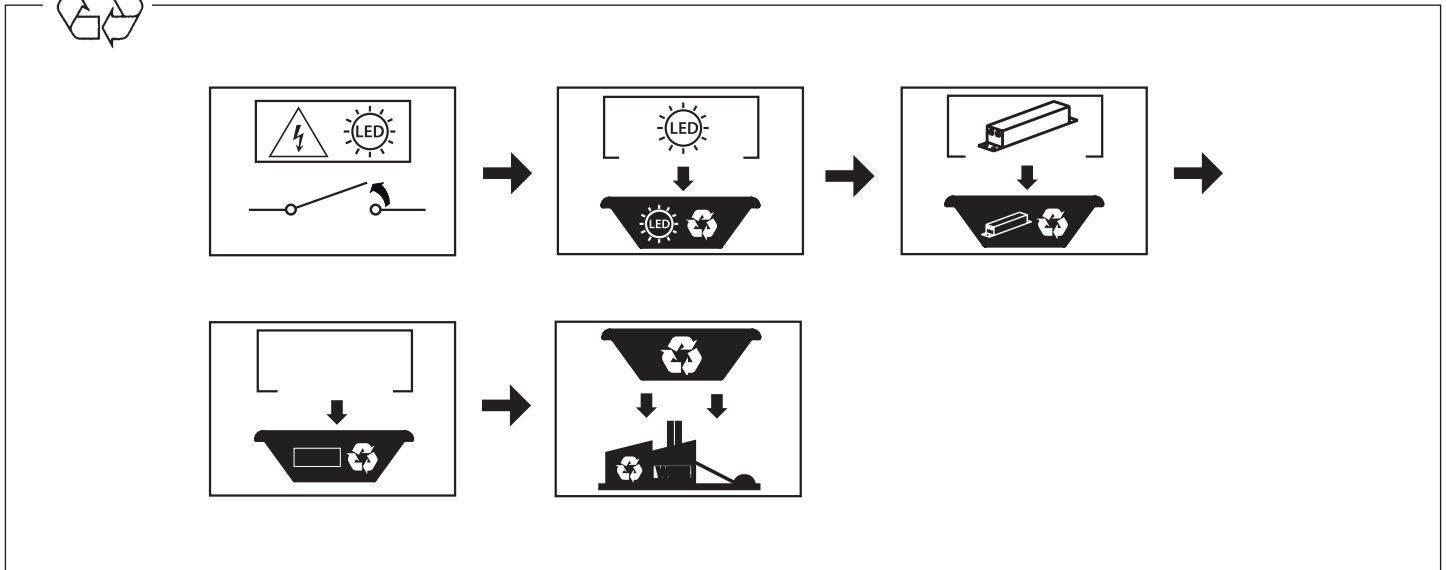
OUT



**E**







Punto di contatto indicato in adempimento ai fini delle direttive e regolamenti UE applicabili:  
 Contact details according to the relevant European Directives and Regulations:  
 GEWISS S.p.A. Via A.Volta, 1 IT-24069 Cenate Sotto (BG) Italy tel: +39 035 946 111 E-mail: qualitymarks@gewiss.com

According to applicable UK regulations, the company responsible for placing the goods in UK market is:  
 GEWISS UK LTD - Unity House, Compass Point Business Park, 9 Stocks Bridge Way, ST IVES  
 Cambridgeshire, PE27 5JL, United Kingdom tel: +44 1954 712757 E-mail: gewiss-uk@gewiss.com



**+39 035 946 11**  
 8:30 - 12:30 / 14:00 - 18:00  
 lunedì - venerdì / monday - friday



[www.gewiss.com](http://www.gewiss.com)

