



# MASTER VALUE LEDs pot LV

## MAS LED SPOT VLE D 7.5-50W MR16 930 36D

Philips MASTER VALUE MR16 is the series of Low Voltage (12VAC) Halogen MR16 replacements. Not only does it employ Philips' patented solution to guarantee the broadest possible compatibility with standard 12V Halogen electronic transformers. It also delivers beam intensity which is equivalent to the 50W Philips Halogen MR16 lamps. The form-factor of Philips MASTER Value LED MR16 guarantees a 100% form on the back-side of the lamp (exact form with Halogen lamps.)

### Warnings and Safety

- Operating temperature range is between -20° C and 45° C ambient
- Only to apply in dry or damp locations and most of open fixtures with lamp-holders that offer sufficient space (10 mm free air space)
- Not intended for use with emergency light fixtures or exit lights

### Product data

General Information		Operating and Electrical	
Cap-Base	GU5.3 [GU5.3]	Correlated Color Temperature (Nom)	3000 K
Nominal lifetime	25,000 hour(s)	Luminous Efficacy (rated) (Nom)	84 lm/W
Switching Cycle	50,000	Color Consistency	<6
Lighting Technology	LED	Color rendering index (CRI)	90
Flux measurement reference	Narrow Cone	LLMF At End Of Nominal Lifetime (Nom)	70 %
		Luminous Flux in 90° Cone (Rated)	630 lumen
Light Technical			
Color Code	930 [CCT of 3000K]	Line Frequency	- Hz
Beam Angle (Nom)	36 degree(s)	Input Frequency	- Hz
Luminous Flux	630 lumen	Power Consumption	7.5 W
Luminous Intensity (Nom)	1,600 cd	Lamp Current (Nom)	660 mA
Color Designation	White (WH)	Wattage Equivalent	50 W

# MASTER VALUE LEDspot LV

Starting Time (Nom)	0.5 s
Warm-up time to 60% light	0.5 s
Power Factor (Fraction)	0.7
Voltage (Nom)	ac electronic 12 V

## Temperature

T-Case Maximum (Nom)	95 °C
----------------------	-------

## Controls and Dimming

Dimmable	Only with specific dimmers
----------	----------------------------

## Mechanical and Housing

Bulb Shape	MR16 [2inch/50mm]
------------	-------------------

## Approval and Application

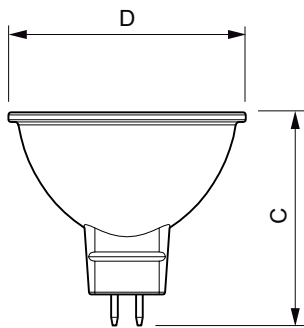
Suitable For Accent Lighting	Yes
------------------------------	-----

Energy Consumption kWh/1000 h	8 kWh
EPREL Registration Number	453,181
CE mark	Yes
EU RoHS compliant	Yes

## Product Data

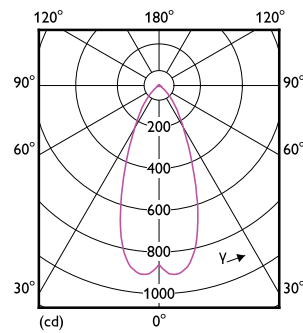
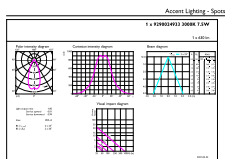
Full product code	871951430734600
Order product name	MAS LED SPOT VLE D 7.5-50W MR16 930 36D
Order code	929002493302
Numerator - Quantity Per Pack	1
Numerator - Packs per outer box	10
Material number (12NC)	929002493302
Full product name	MAS LED SPOT VLE D 7.5-50W MR16 930 36D
EAN/UPC - Case	8719514307353

## Dimensional drawing



Product	D	C
MAS LED SPOT VLE D 7.5-50W MR16 930 36D	50.5 mm	45.5 mm

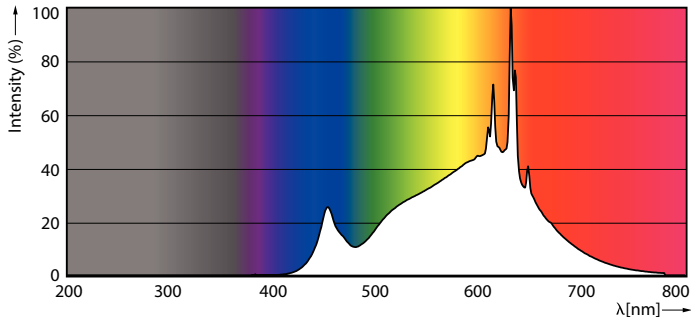
## Photometric data



Light Distribution Diagram - MAS LED SPOT VLE D 7.5-50W MR16 930 36D

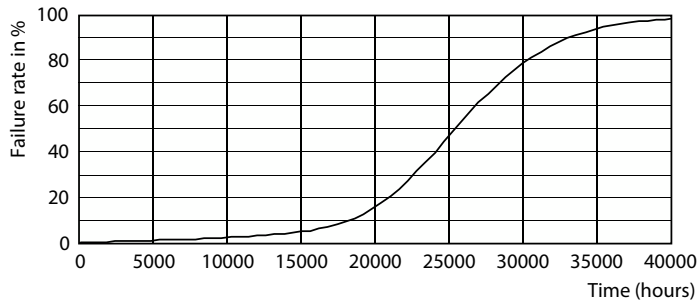
# MASTER VALUE LEDspot LV

## Photometric data

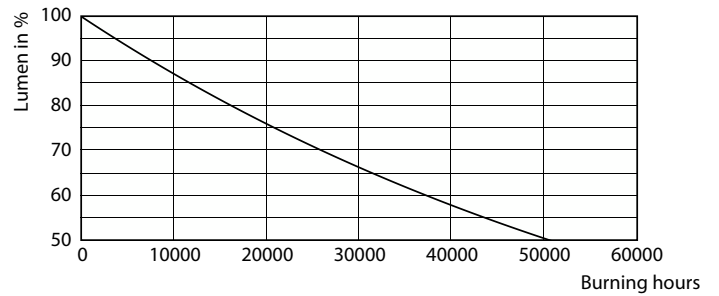


Spectral Power Distribution Colour - MAS LED SPOT VLE D 7.5-50W MR16 930 36D

## Lifetime



Life Expectancy Diagram - MAS LED SPOT VLE D 7.5-50W MR16 930 36D



Lumen Maintenance Diagram - MAS LED SPOT VLE D 7.5-50W MR16 930 36D

