

SLI008001CW

SLI008001CW

IP65

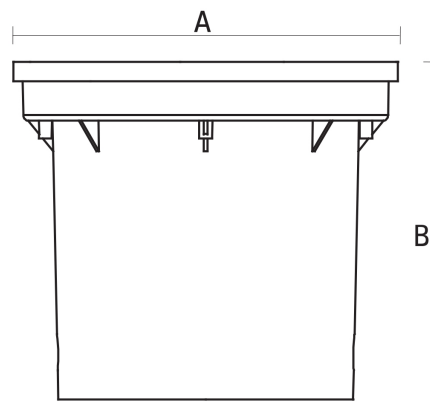


Power **3 W**
Colour temperature **6000 K**
Beam angle **30 °**

Voltage **230 V**
Colour of light **CW**
Degree of protection (IP) **IP65**


Technical data

| | |
|------------------------------|----------------|
| Code | SLI008001CW |
| Power | 3 W |
| Nominal current | 26 mA |
| Voltage | 230 V |
| Energy consumption | 4 kWh/1000h |
| Frequency | 50HZ Hz |
| Protection class | I |
| Luminous flux** | 180 lm (360°) |
| Lamp efficacy | 60 lm/W |
| Colour temperature | 6000 K |
| Colour of light | CW |
| Beam angle | 30 ° |
| RA | 80 |
| Uniformity of color SDCM max | 5 |
| Dimmable | No |
| Working temperature range | -20/+40 ° |
| Lifespan | 17000 h |
| Housing material | Aluminum, PP |
| Degree of protection (IP) | IP65 |
| Colour | SREBRNY |
| For use | Inside/Outside |
| Assembly method | GRUNTOWY |
| Application | INT/EXT |
| Made in | PRC |



Related documents



 Declaration of Conformity
