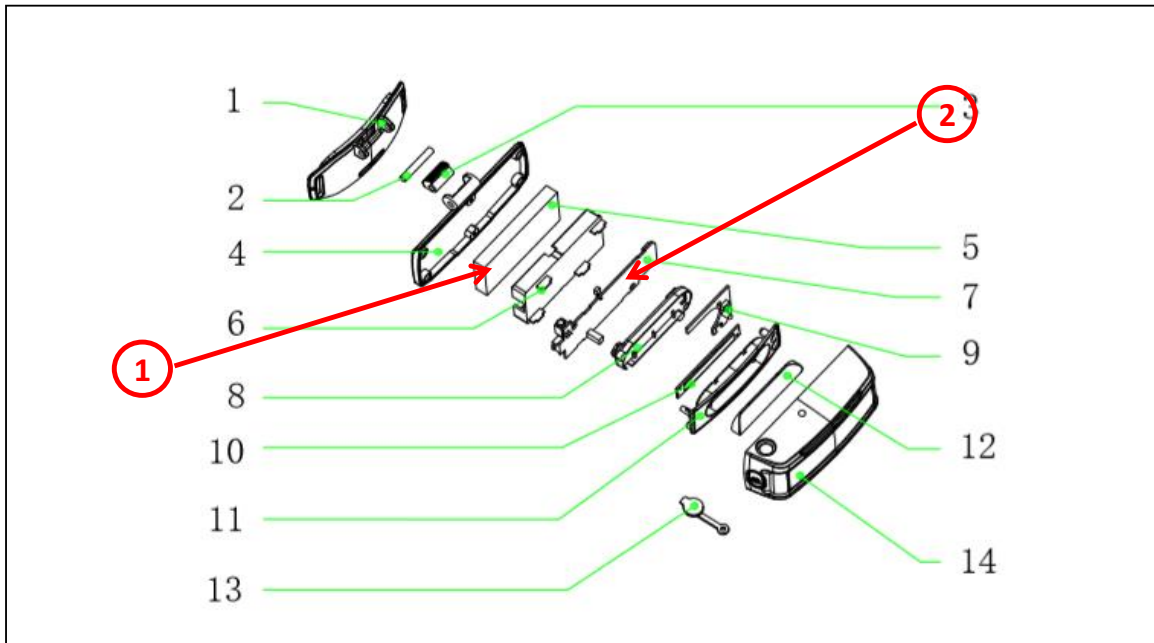


Product End of Life Instructions

Thorsman Head Light 250lm



End of Life Instructions



Recommendation	Number on drawing	Component / Material	Weight (in g)	Comment
To be depolluted	1	Other battery	26	
To be depolluted	1	Electronic Board (Communication) > 10cm ²	17.1799	Including all soldering parts

Product description

Manufacturer identification	Schneider Electric Industries SAS
Brand name	Schneider Electric
Product function	The product is a rechargeable headlamp, with lithium battery and LED light, for a Self-contained emergency lighting unit.
Product reference	IMT47239
Total representative product mass	180 g
Representative product dimensions	100mm x 50mm x 65mm
Accessories	No
Date of information release	11/2019

Additional information

Legal information	This product family is in the scope of European Union directive 2012/19/EU on Waste Electrical and Electronic Equipment (WEEE). The product family must be disposed according to the legislation of the country. This document is intended for use by end of life recyclers or treatment facilities. It provides the basic information to assure an appropriate end of life treatment for the components and materials of the product.
In case of special transportation: transportation method	No

Recyclability potential

52%

Based on "ECO'DEEE recyclability and recoverability calculation method" (version V1, 20 Sep. 2008 presented to the French Agency for Environment and Energy Management: ADEME).

Schneider Electric Industries SAS

Country Customer Care Center

<http://www.schneider-electric.com/contact>

35, rue Joseph Monier

CS 30323

F- 92506 Rueil Malmaison Cedex

RCS Nanterre 954 503 439

Capital social 896 313 776 €

www.schneider-electric.com

Published by Schneider Electric

ENVEOLI1910005_V1

© 2019 - Schneider Electric – All rights reserved

11/2019