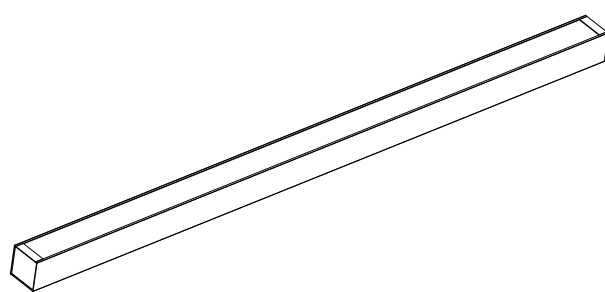
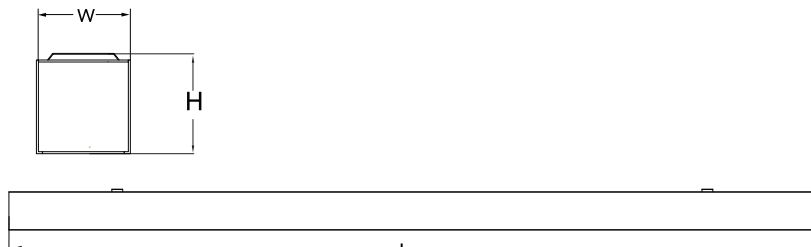


LED Trunking System

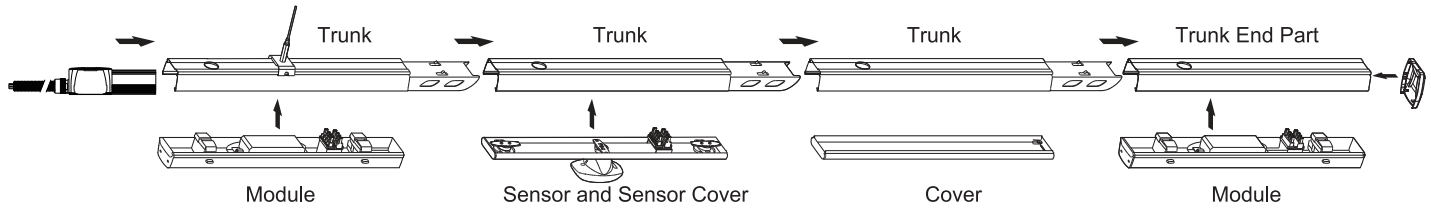
Item Code	CCT	kg
542005005800	4000K	1.650
542005005900	4000K	1.640
542005006000	4000K	1.640
542005006100	4000K	1.640
542005006200	4000K	1.720
542005006300	4000K	1.710
542005006400	4000K	1.710
542005006500	4000K	1.710
542005008200	4000K	1.640
542005008300	4000K	1.640
542005008400	4000K	1.640
542005008500	4000K	1.640
542098002100	/	1.750
542098002200	/	1.400
542098002300	/	3.300
542098002400	/	2.950
542098004000	/	1.750
542098004100	/	1.400
542098004200	/	3.300
542098004300	/	2.950



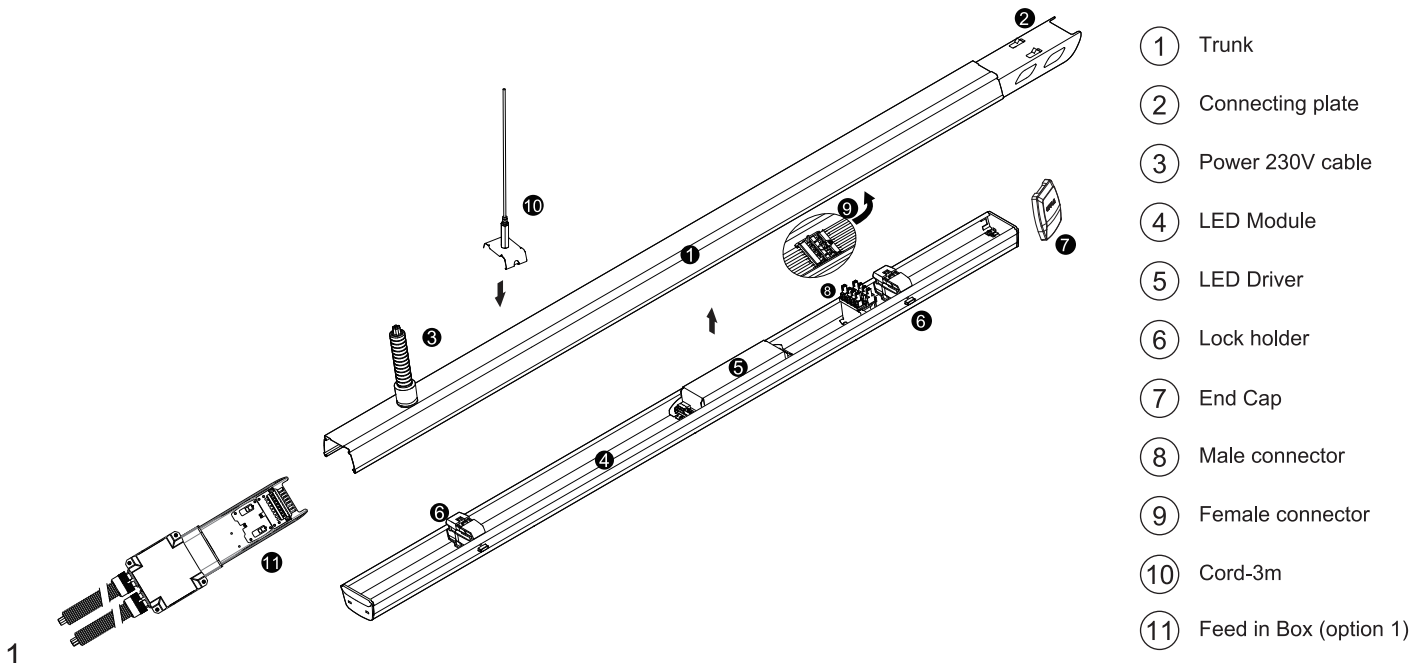


Model	L (mm)	W (mm)	H (mm)
LED P Trunking Module 1500mm 35W	1498.5	77.7	66.5
LED P Trunking Module 1500mm 50W	1498.5	77.7	66.5
LED P Trunking Module 1500mm 70W	1498.5	77.7	66.5
LEDTrunking Trunk 8 L15	1650.0	70.2	38.8
LEDTrunking Trunk 8 L15 EP	1500.0	70.2	38.8
LEDTrunking Trunk 8 L30	3150.0	70.2	38.8
LEDTrunking Trunk 8 L30 EP	3000.0	70.2	38.8
LEDTrunking Trunk 5 L15	1650.0	70.2	38.8
LEDTrunking Trunk 5 L15 EP	1500.0	70.2	38.8
LEDTrunking Trunk 5 L30	3150.0	70.2	38.8
LEDTrunking Trunk 5 L30 EP	3000.0	70.2	38.8

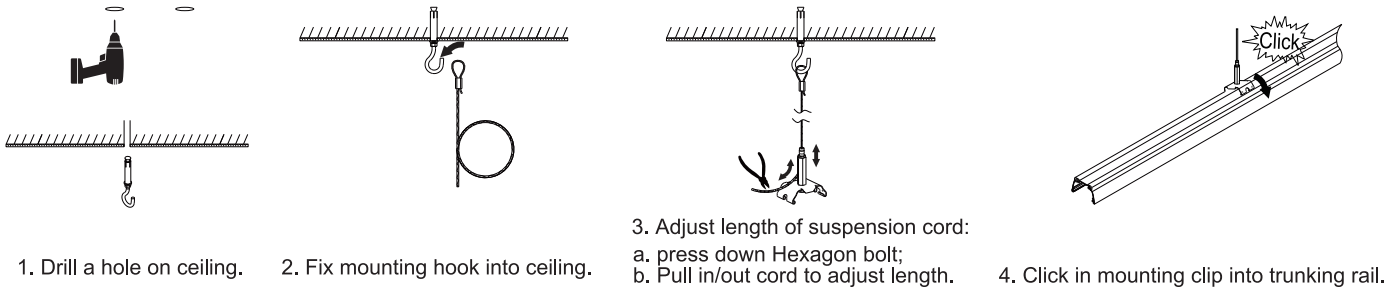
Installation should be performed only by qualified electrician .
 Make sure no voltage while installation .
 Connect cable wires according to wire labeling.
 Max current should not exceed 16A in one power feed in circuit.



Trunk and Module:
 Always use the Trunk End Part as last trunk in the line. Below all trunking components.

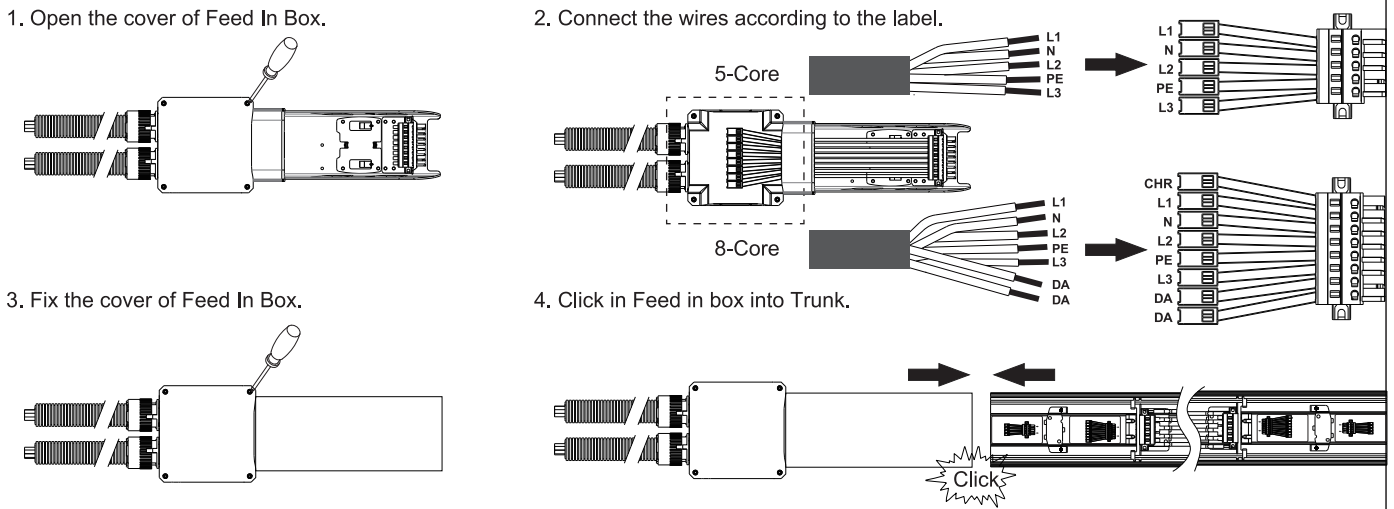


Step 1: Mounting Suspension



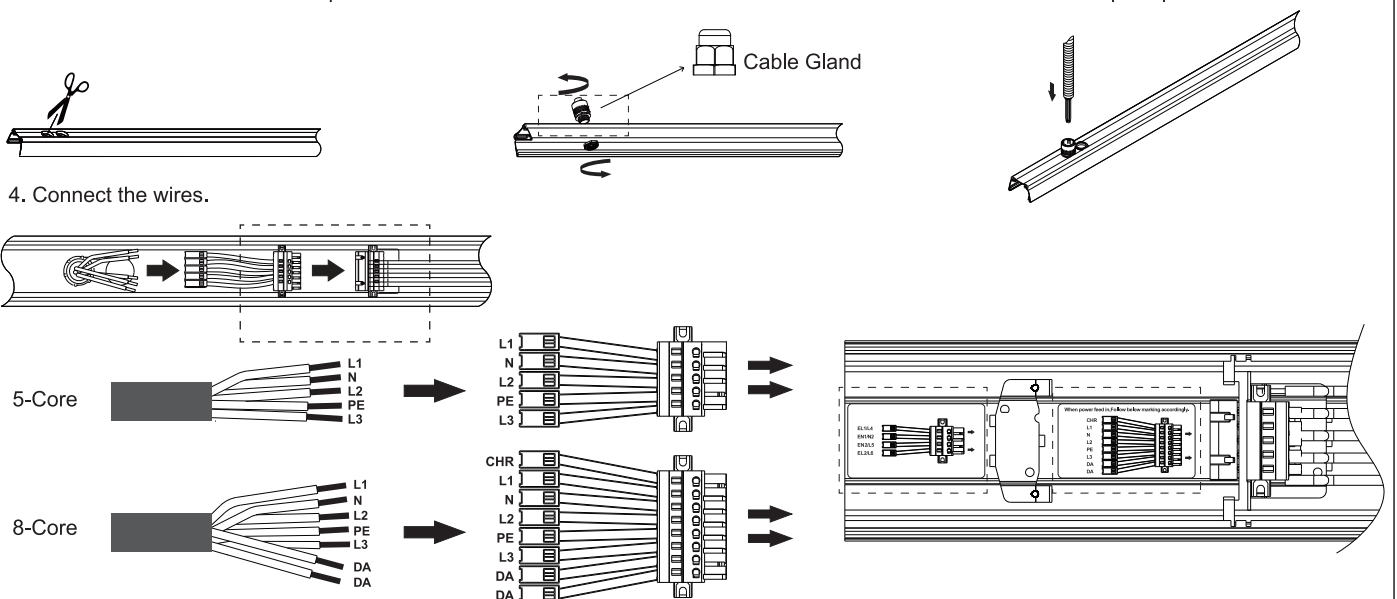
Step 2: Connecting Power Supply

Power connection option 1:
230V Cable Connect with Feed In Box.



Power connection option 2:
Connect 230V Cable from back of Trunk with feed-in connector.

1. 230V Cable connect from back plate of Trunk.
2. Screw in the Cable Gland.
3. Put in cable inside and pull up Cable Gland to lock.



CHR: Charge input for internal battery, main supply detection for EMG1 or EMG2.
 L1: Live wire 1 N: Neutral wire 1
 L2: Live wire 2 PE: Ground
 L3: Live wire 2 DA: DALI input
 Note: Only L1/L2/L3/N1/PE wires are 2.5mm² with 16A, the rest are 1.5mm² with 10A.

Model	Wire Qty	Function Description	Wire Description							
			1	2	3	4	5	6	7	8
1	5-Core	Standard and DALI	L1	N	L2	PE	L3	\	\	\
2	8-Core	Standard and DALI	CHR	L1	N	L2	PE	L3	DA	DA

Step 3: Connecting of the Trunk

All Trunks should keep in perfect position then push to click.



Total quantity

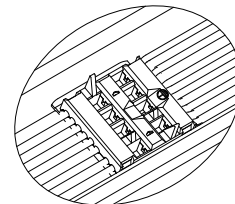
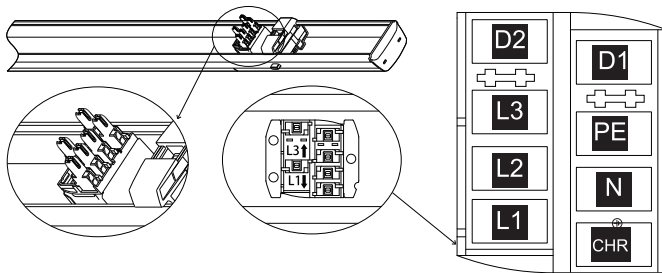
Module	Trunk	Electric Current	Max. Quantity by Cascade Connection	Total Length by Cascade Connection
35W	1.5m	16A	100pcs	150m
35W	3m	16A	50pcs	150m
50W	1.5m	16A	70pcs	105m
50W	3m	16A	35pcs	105m
70W	1.5m	16A	50pcs	75m
70W	3m	16A	25pcs	75m

Max current should not exceed 16A in one power feed in circuit(Total L1+L2+L3).

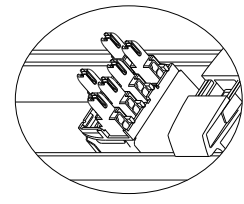
Step 4: Mounting Module

1. Select phase L1/L2/L3 on Module via Label. (Factory setting is L1)

2. Make sure male & female connectors in right position.



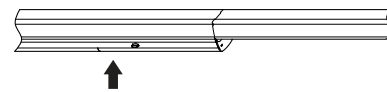
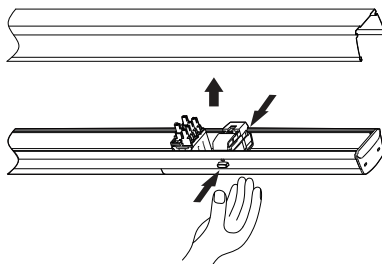
Female connector On Trunk



Male connector on Module

3. Press the lock by both sides and mount the Module.

4. The Module fixed in the Trunk.

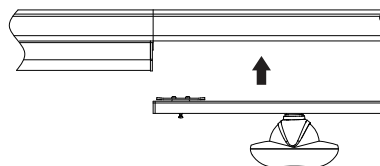
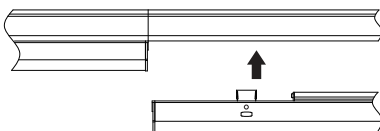


Step 5:

1. Mount the other Module.

2. Mount the Sensor with Sensor cover.

3. Mount the Cover.

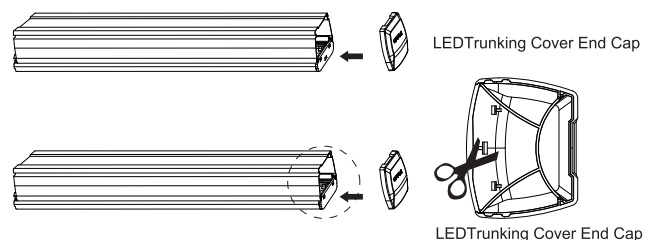
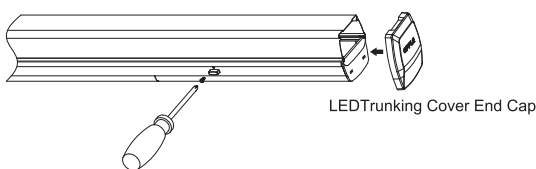


Step 6 (End):

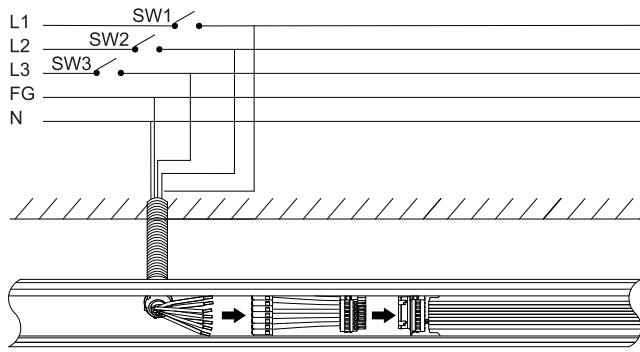
Step 6.1 (the last one-Module)

1. Mount Screws on the both sides to lock the Modules.
2. Mount the End Cap.

Step 6.2 (the last one-Cover)



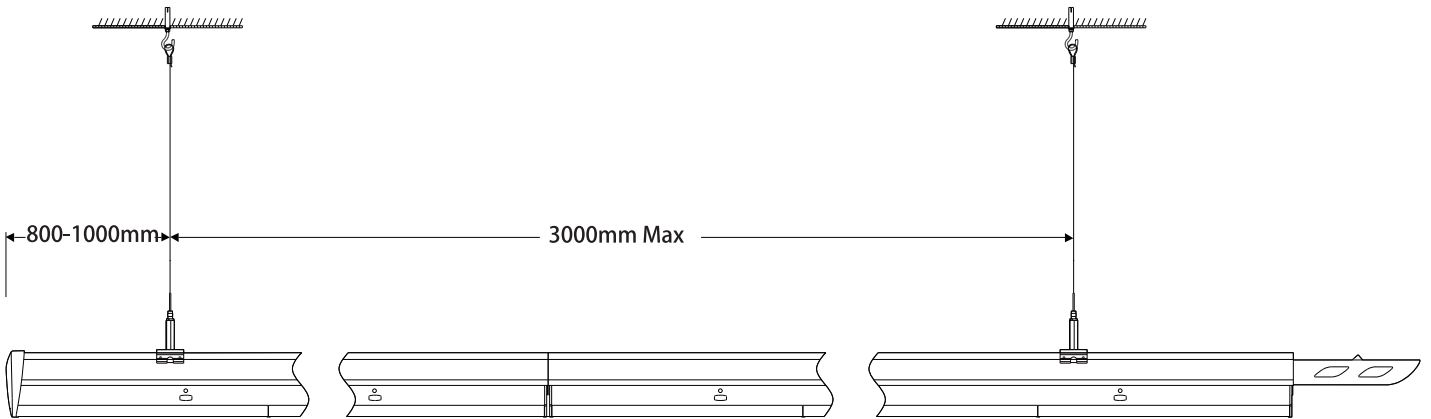
Wire diagram of triple circuits function



This Triple Circuits function offers to control lighting ON/OFF by three switches SW1, SW2, SW3 which are connected by live lines L1, L2, L3.

Pendent mounting installation

Starting Installation distances point should be 800 mm to 1000 mm, then in between 1st & 2nd point should be 3000 mm max.



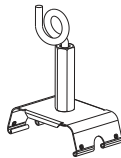
Three options for installation



Cord-3m

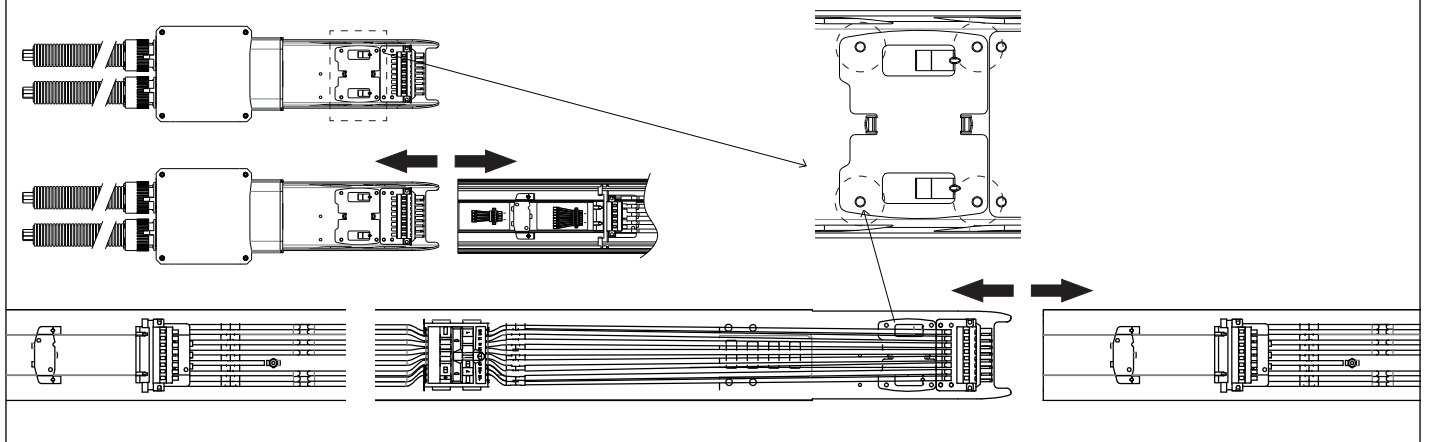


Mounting Clip



Mounting Clip Chain

How to unmount the Feed in Box and Trunk



Data subject to change
Les données sont sujettes à modifications
Änderungen vorbehalten

Opplé Lighting Electronic (Zhongshan) Co., Ltd.
528422
Building A, No.275 Dongan Bei Road,
Haizhou District, Guzhen Town,
Zhongshan City, Guangdong, China.

OPPLE Lighting B.V.
Materiaalweg 6-6A
5681 RJ Best
The Netherlands
service@opple.com
www.opple.com