



MASTER LEDspot ExpertColor LV

MAS LED ExpertColor 6.7-35W MR16 927 10D

MASTER LEDspot LV ExpertColor creates a warm and comfortable ambience for hospitality venues, homes and restaurants. It creates such an ambience with superior lighting that has a customized spectrum, high CRI, and deep dimming feature. The result? A beautiful lighting experience. What's more, the innovative, trimless lens design will suit almost any interior decor with its clean and neat look. In addition, you can take advantage of the full ExpertColor family, which also includes LEDspot MV and LEDspot Par lamps.

Product data

General Information		Luminous Flux in 90° Cone (Rated)	
Cap-Base	GU5.3 [GU5.3]		410 lumen
Nominal lifetime	40,000 hour(s)	Operating and Electrical	
Switching Cycle	50,000	Line Frequency	- Hz
Lighting Technology	LED	Input Frequency	- Hz
Flux measurement reference	Narrow Cone	Power Consumption	6.7 W
Light Technical		Lamp Current (Nom)	650 mA
Color Code	927 [CCT of 2700K]	Wattage Equivalent	35 W
Beam Angle (Nom)	10 degree(s)	Starting Time (Nom)	0.5 s
Luminous Flux	410 lumen	Warm-up time to 60% light	0.5 s
Luminous Intensity (Nom)	4,600 cd	Power Factor (Fraction)	0.7
Color Designation	Warm White (WW)	Voltage (Nom)	ac electronic 12 V
Correlated Color Temperature (Nom)	2700 K	Temperature	
Luminous Efficacy (rated) (Nom)	61.00 lm/W	T-Case Maximum (Nom)	92 °C
Color Consistency	<3		
Color rendering index (CRI)	97		
LLMF At End Of Nominal Lifetime (Nom)	70 %		

MASTER LEDspot ExpertColor LV

Controls and Dimming

Dimmable	Only with specific dimmers
----------	----------------------------

Mechanical and Housing

Bulb Shape	MR16 [2inch/50mm]
------------	-------------------

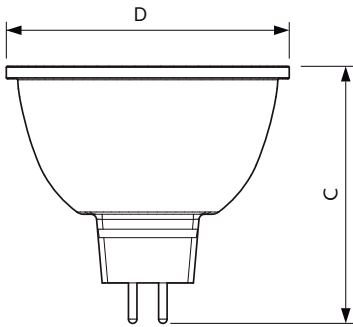
Approval and Application

Suitable For Accent Lighting	Yes
Energy Consumption kWh/1000 h	7 kWh
EPREL Registration Number	624,220
CE mark	Yes
EU RoHS compliant	Yes

Product Data

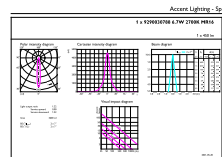
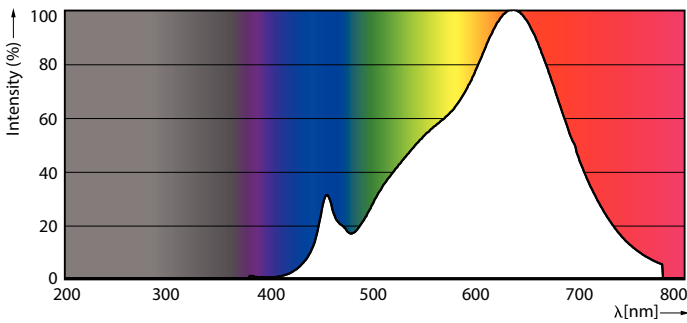
Full product code	871951435847800
Order product name	MAS LED ExpertColor 6.7-35W MR16 927 10D
Order code	929003078802
Numerator - Quantity Per Pack	1
Numerator - Packs per outer box	10
Material number (12NC)	929003078802
Full product name	MAS LED ExpertColor 6.7-35W MR16 927 10D
EAN/UPC - Case	8719514358485

Dimensional drawing



Product	D	C
MAS LED ExpertColor 6.7-35W MR16 927 10D	50.5 mm	46 mm

Photometric data

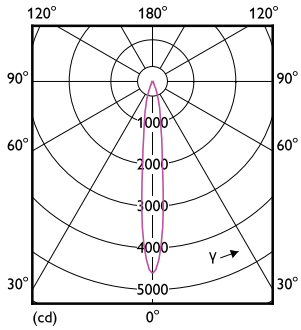


ColorCast PowerSource LV Project Lighting BV Page 1/1

Spectral Power Distribution Colour - MAS LED ExpertColor 6.7-35W MR16 927 10D

MASTER LEDspot ExpertColor LV

Photometric data



Light Distribution Diagram - MAS LED ExpertColor 6.7-35W MR16 927 10D

Lifetime



Life Expectancy Diagram - MAS LED ExpertColor 6.7-35W MR16 927 10D



Lumen Maintenance Diagram - MAS LED ExpertColor 6.7-35W MR16 927 10D

