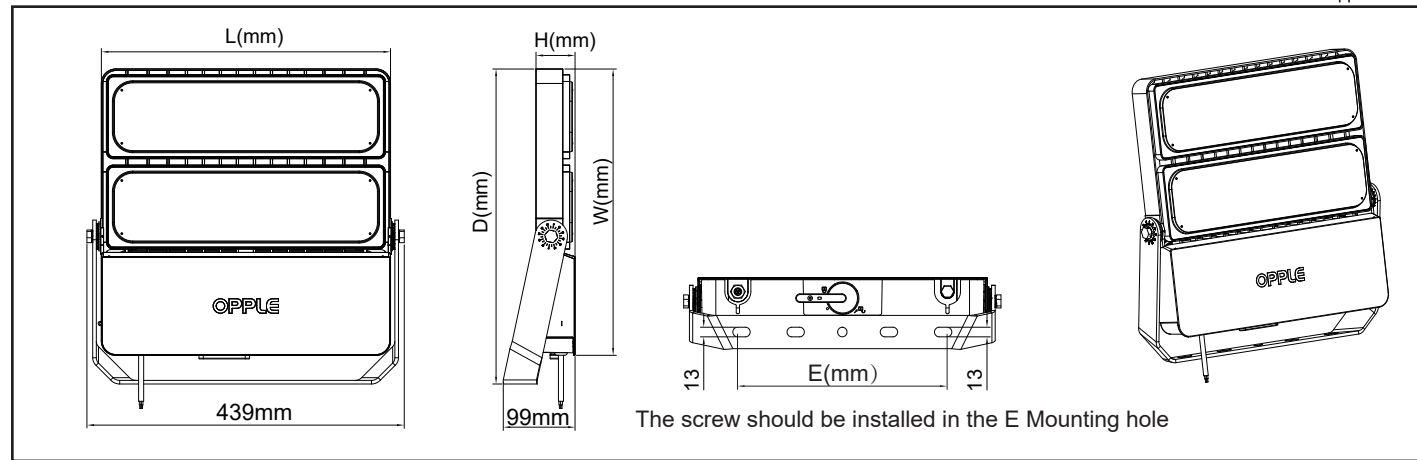


LED Floodlight Modulo Performer

OPPLE

Version date 25-10-2022
www.opple.com

OPPLE



Technical Specification

Product Code	Model	CCT	Weight (kg)	L (mm)	W (mm)	H (mm)	D (mm)	E (mm)	MPA (mm ²)	Mount (m)
709000056700	LED FLMo-P RE340-70W-840-N	4000K	5.1kg	400	271	54	330	290	108400	<10
709000056800	LED FLMo-P RE340-70W-840-W	4000K	5.1kg	400	271	54	330	290	108400	<10
709000056900	LED FLMo-P RE340-70W-840-AS	4000K	5.0kg	400	271	54	330	290	108400	<10
709000057000	LED FLMo-P RE340-70W-857-N	5700K	5.1kg	400	271	54	330	290	108400	<10
709000057100	LED FLMo-P RE340-70W-857-W	5700K	5.1kg	400	271	54	330	290	108400	<10
709000057200	LED FLMo-P RE340-70W-857-AS	5700K	5.0kg	400	271	54	330	290	108400	<10
709000057300	LED FLMo-P RE340-100W-840-N	4000K	5.2kg	400	271	54	330	290	108400	<10
709000057400	LED FLMo-P RE340-100W-840-W	4000K	5.2kg	400	271	54	330	290	108400	<10
709000057500	LED FLMo-P RE340-100W-840-AS	4000K	5.1kg	400	271	54	330	290	108400	<10
709000057600	LED FLMo-P RE340-100W-857-N	5700K	5.2kg	400	271	54	330	290	108400	<10
709000057700	LED FLMo-P RE340-100W-857-W	5700K	5.2kg	400	271	54	330	290	108400	<10
709000057800	LED FLMo-P RE340-100W-857-AS	5700K	5.1kg	400	271	54	330	290	108400	<10
709000057900	LED FLMo-P RE450-150W-840-N	4000K	6.6kg	400	391	54	436	290	158400	<10
709000058000	LED FLMo-P RE450-150W-840-W	4000K	6.6kg	400	391	54	436	290	158400	<10
709000058100	LED FLMo-P RE450-150W-840-AS	4000K	6.5kg	400	391	54	436	290	158400	<10
709000058200	LED FLMo-P RE450-150W-857-N	5700K	6.6kg	400	391	54	436	290	158400	<10
709000058300	LED FLMo-P RE450-150W-857-W	5700K	6.6kg	400	391	54	436	290	158400	<10
709000058400	LED FLMo-P RE450-150W-857-AS	5700K	6.5kg	400	391	54	436	290	158400	<10
709000058500	LED FLMo-P RE450-200W-840-N	4000K	6.6kg	400	391	54	436	290	158400	<10
709000058600	LED FLMo-P RE450-200W-840-W	4000K	6.6kg	400	391	54	436	290	158400	<10
709000058700	LED FLMo-P RE450-200W-840-AS	4000K	6.4kg	400	391	54	436	290	158400	<10
709000058800	LED FLMo-P RE450-200W-857-N	5700K	6.6kg	400	391	54	436	290	158400	<10
709000058900	LED FLMo-P RE450-200W-857-W	5700K	6.6kg	400	391	54	436	290	158400	<10
709000059000	LED FLMo-P RE450-200W-857-AS	5700K	6.4kg	400	391	54	436	290	158400	<10
709000059100	LED FLMo-P RE570-250W-840-N	4000K	8.9kg	400	521	54	564	290	208400	<10
709000059200	LED FLMo-P RE570-250W-840-W	4000K	8.9kg	400	521	54	564	290	208400	<10
709000059300	LED FLMo-P RE570-250W-840-AS	4000K	8.7kg	400	521	54	564	290	208400	<10
709000059400	LED FLMo-P RE570-250W-857-N	5700K	8.9kg	400	521	54	564	290	208400	<10
709000059500	LED FLMo-P RE570-250W-857-W	5700K	8.9kg	400	521	54	564	290	208400	<10
709000059600	LED FLMo-P RE570-250W-857-AS	5700K	8.7kg	400	521	54	564	290	208400	<10
709000059700	LED FLMo-P RE570-300W-840-N	4000K	8.9kg	400	521	54	564	290	208400	<10
709000059800	LED FLMo-P RE570-300W-840-W	4000K	8.9kg	400	521	54	564	290	208400	<10
709000059900	LED FLMo-P RE570-300W-840-AS	4000K	8.7kg	400	521	54	564	290	208400	<10
709000059700	LED FLMo-P RE570-300W-857-N	4000K	8.9kg	400	521	54	564	290	208400	<10
709000059800	LED FLMo-P RE570-300W-840-W	4000K	8.9kg	400	521	54	564	290	208400	<10
709000059900	LED FLMo-P RE570-300W-840-AS	4000K	8.7kg	400	521	54	564	290	208400	<10

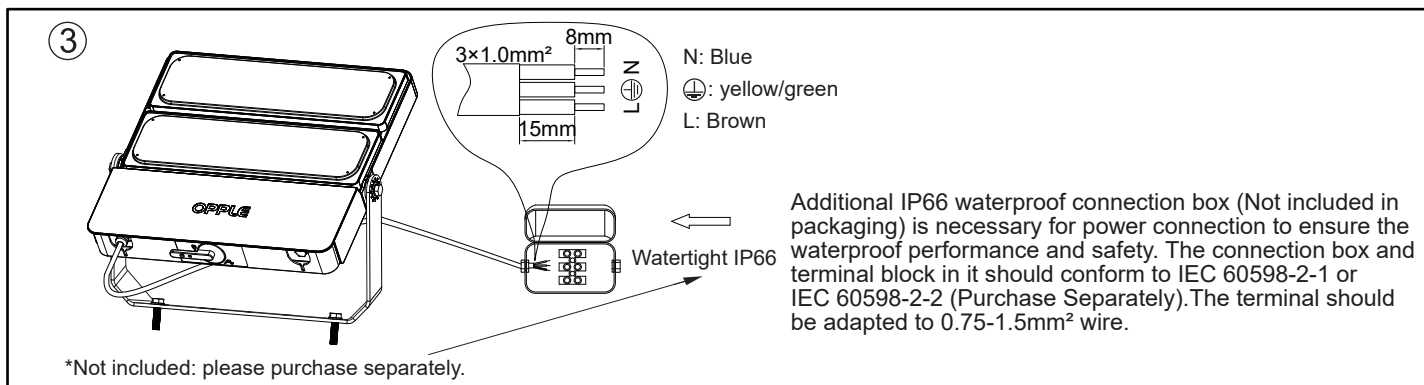
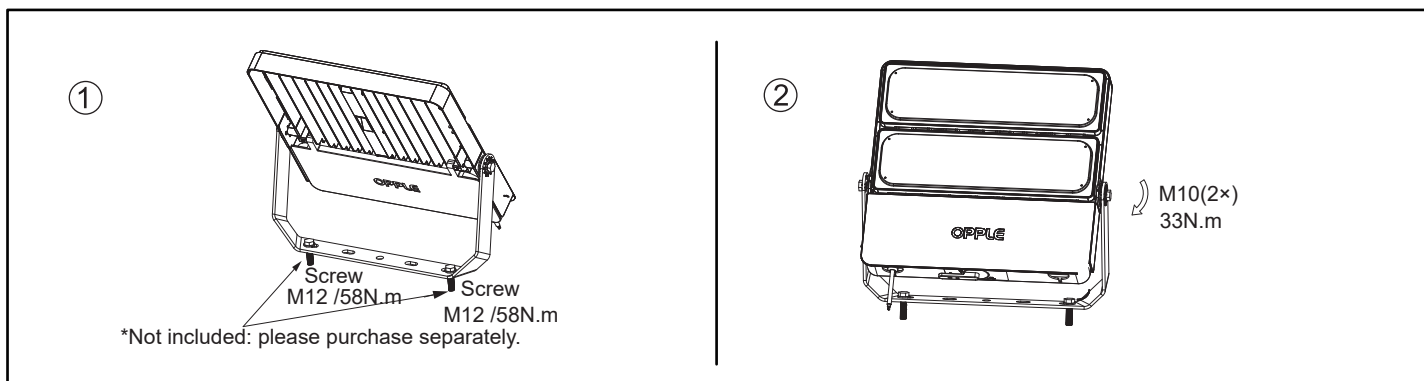
709000060000	LED FLMo-P RE570-300W-857-N	5700K	8.9kg	400	521	54	564	290	208400	<10
709000060100	LED FLMo-P RE570-300W-857-W	5700K	8.9kg	400	521	54	564	290	208400	<10
709000060200	LED FLMo-P RE570-300W-857-AS	5700K	8.7kg	400	521	54	564	290	208400	<10
709000078300	LED FLMo-P RE570-380W-840-N	4000K	8.9kg	400	521	54	564	290	208400	<10
709000078400	LED FLMo-P RE570-380W-840-W	4000K	8.9kg	400	521	54	564	290	208400	<10
709000078500	LED FLMo-P RE570-380W-840-AS	4000K	8.7kg	400	521	54	564	290	208400	<10
709000078600	LED FLMo-P RE570-380W-857-N	5700K	8.9kg	400	521	54	564	290	208400	<10
709000078700	LED FLMo-P RE570-380W-857-W	5700K	8.9kg	400	521	54	564	290	208400	<10
709000078800	LED FLMo-P RE570-380W-857-AS	5700K	8.7kg	400	521	54	564	290	208400	<10

MPA: Maximum Projected Area of the floodlight

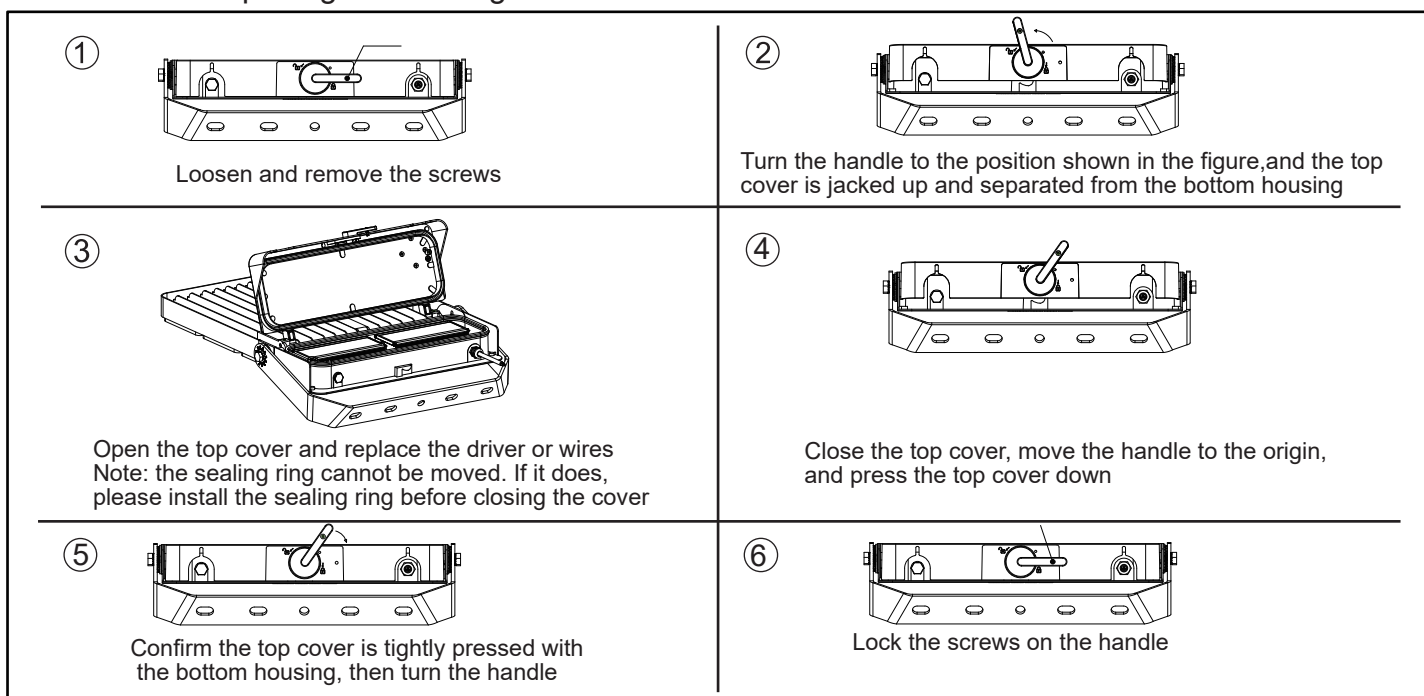
Light Source

Product Code	Product Description	N	Light Source Code	QR Code	Energy Label
709000056700	LED FloodMo-P Re340-70W-840-N	1	LS012007015		
709000056800	LED FloodMo-P Re340-70W-840-W	1			
709000056900	LED FloodMo-P Re340-70W-840-AS	1			
709000057000	LED FloodMo-P Re340-70W-857-N	1	LS012007018		
709000057100	LED FloodMo-P Re340-70W-857-W	1			
709000057200	LED FloodMo-P Re340-70W-857-AS	1			
709000057300	LED FloodMo-P Re340-100W-840-N	1	LS012010015		
709000057400	LED FloodMo-P Re340-100W-840-W	1			
709000057500	LED FloodMo-P Re340-100W-840-AS	1			
709000057600	LED FloodMo-P Re340-100W-857-N	1	LS012010018		
709000057700	LED FloodMo-P Re340-100W-857-W	1			
709000057800	LED FloodMo-P Re340-100W-857-AS	1			
709000057900	LED FloodMo-P Re450-150W-840-N	2	LS012015015		
709000058000	LED FloodMo-P Re450-150W-840-W	2			
709000058100	LED FloodMo-P Re450-150W-840-AS	2			
709000058200	LED FloodMo-P Re450-150W-857-N	2	LS012015018		
709000058300	LED FloodMo-P Re450-150W-857-W	2			
709000058400	LED FloodMo-P Re450-150W-857-AS	2			
709000058500	LED FloodMo-P Re450-200W-840-N	2	LS012020015		
709000058600	LED FloodMo-P Re450-200W-840-W	2			
709000058700	LED FloodMo-P Re450-200W-840-AS	2			
709000058800	LED FloodMo-P Re450-200W-857-N	2	LS012020018		
709000058900	LED FloodMo-P Re450-200W-857-W	2			
709000059000	LED FloodMo-P Re450-200W-857-AS	2			
709000059100	LED FloodMo-P Re570-250W-840-N	3	LS012025015		
709000059200	LED FloodMo-P Re570-250W-840-W	3			
709000059300	LED FloodMo-P Re570-250W-840-AS	3			
709000059400	LED FloodMo-P Re570-250W-857-N	3	LS012025018		
709000059500	LED FloodMo-P Re570-250W-857-W	3			
709000059600	LED FloodMo-P Re570-250W-857-AS	3			
709000059700	LED FloodMo-P Re570-300W-840-N	3	LS012030015		
709000059800	LED FloodMo-P Re570-300W-840-W	3			
709000059900	LED FloodMo-P Re570-300W-840-AS	3			
709000060000	LED FloodMo-P Re570-300W-857-N	3	LS012030018		
709000060100	LED FloodMo-P Re570-300W-857-W	3			
709000060200	LED FloodMo-P Re570-300W-857-AS	3			

709000078300	LEDfloodMo-P Re570-380W-840-N	3	LS012040015		
709000078400	LEDfloodMo-P Re570-380W-840-W	3			
709000078500	LEDfloodMo-P Re570-380W-840-AS	3			
709000078600	LEDfloodMo-P Re570-380W-857-N	3	LS012040018		
709000078700	LEDfloodMo-P Re570-380W-857-W	3			
709000078800	LEDfloodMo-P Re570-380W-857-AS	3			



Instructions for opening and locking the electrical box



In case of broken cover the luminaire should be disposed of.



In case of damage to the wire, it has to be replaced only by the manufacturer, distributor or by an expert, to avoid risks.

Caution: Any operation on LED module is forbidden while power-on.

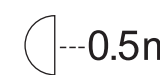
Zur Vermeidung von Risiken müssen defekte Leitungen ausschließlich vom Hersteller, Inverkehrbringer oder Fachmann ausgetauscht werden.

Achtung: In Betrieb ist keine Arbeit am LED-Modul erlaubt.



For unreplaceable light sources, if the light source contained in this luminaire could not work properly, the luminaire should be disposed of.

Bei nicht austauschbaren Lichtquellen, wenn die in dieser Leuchte enthaltene Lichtquelle nicht richtig funktionieren könnte, sollte die Leuchte entsorgt werden.

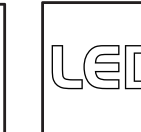
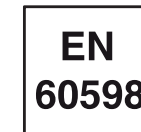
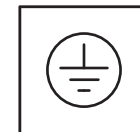


Minimum distance from illuminated object.
Mindestabstand zum beleuchteten Objekt.



For use in the environment where normal non-conductive/conductive, dust accumulation may be expected, Not for use in the environment with high/unusual dust accumulation.

zur Verwendung in Umgebungen, in denen normale nichtleitende Staubansammlungen zu erwarten sind, nicht zur Verwendung in Umgebungen mit erwarteter hoher/ungewöhnlicher Staubansammlung.



Data subject to change
Les données sont sujettes à modifications
Änderungen vorbehalten

Suzhou Opple Lighting Co., Ltd.
215200
East Side, Fenyang Road,
Fenu Economic Development Zone,
Wujiang City, Jiangsu Province,
P.R.China

Opple Lighting BV
Meerenakkerweg 1-07
5652 AR Eindhoven
The Netherlands
service@opple.com
www.opple.com