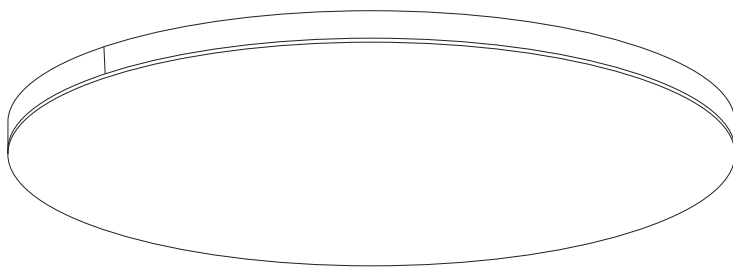
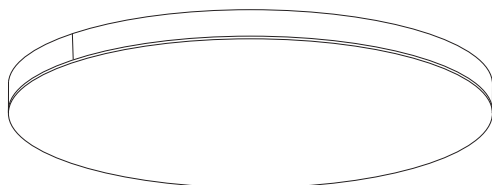
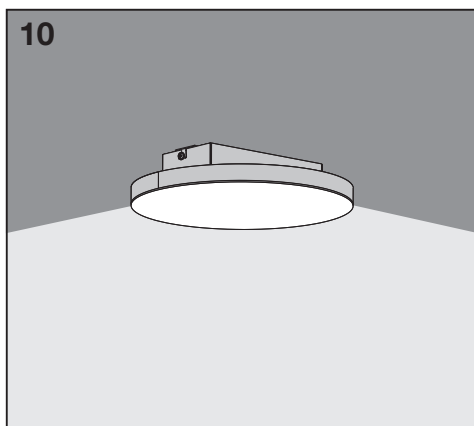
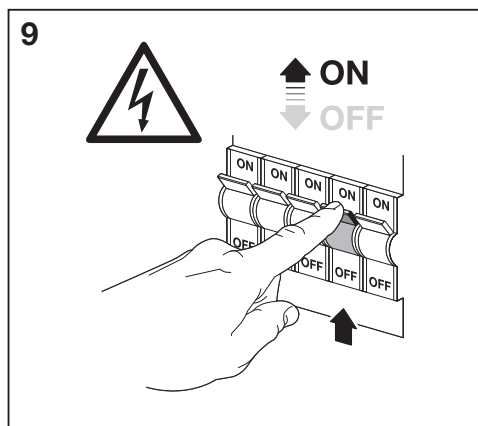
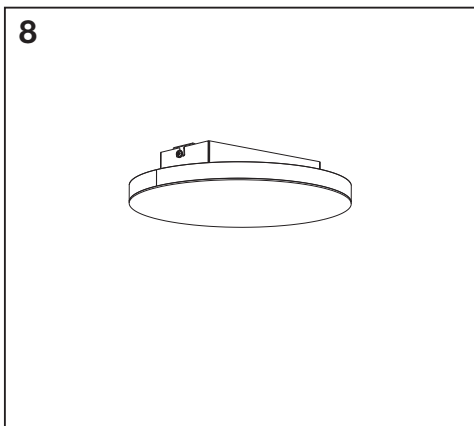
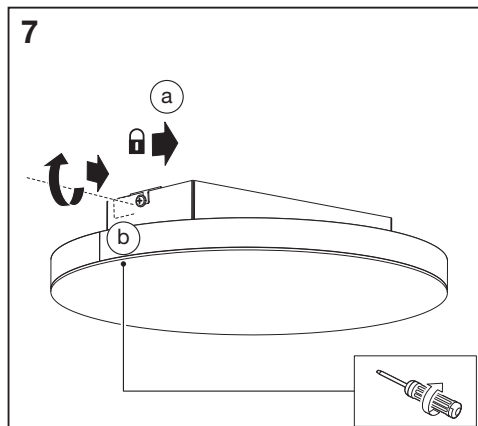
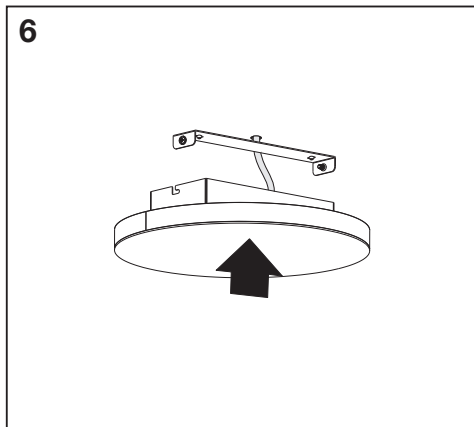
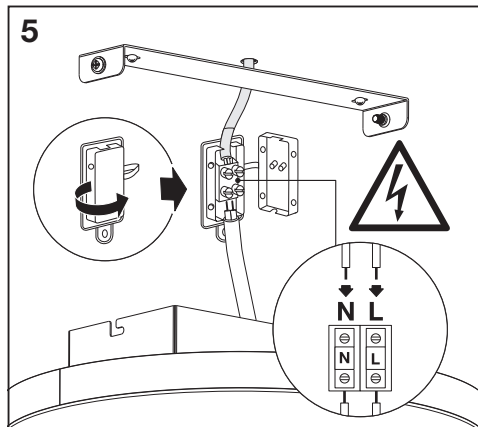







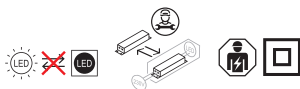
SMART⁺ PLANON FRAMELESS



| | EAN | W | lm | K | ⊖ (°C) | V~ | mA | Hz | DF |
|--|---------------|----|------|-----------|-----------|---------|-----|-------|------|
| SMART WIFI PLANON FRAMELESS RD30 TW | 4058075484672 | 20 | 1700 | 3000-6500 | -20...+40 | 220-240 | 90 | 50/60 | >0.9 |
| SMART WIFI PLANON FRAMELESRD30RGBTW | 4058075484696 | 20 | 1600 | 3000 | -20...+40 | 220-240 | 90 | 50/60 | >0.9 |
| SMART WIFI PLANON FRAMELESS RD45 TW | 4058075484719 | 28 | 2700 | 3000-6500 | -20...+40 | 220-240 | 125 | 50/60 | >0.9 |



| | EAN | This product contains a light source of energy efficiency class | Contained Light Source |
|--|---------------|---|---|
| SMART WIFI PLANON FRAMELESS RD30 TW | 4058075484672 | E |  |
| SMART WIFI PLANON FRAMELESRD30RGBTW | 4058075484696 | E |  |
| SMART WIFI PLANON FRAMELESS RD45 TW | 4058075484719 | E |  |



C10449057
G11127615
21.09.2021



LEDVANCE GmbH
Steinerne Furt 62
86167 Augsburg, Germany
www.ledvance.com