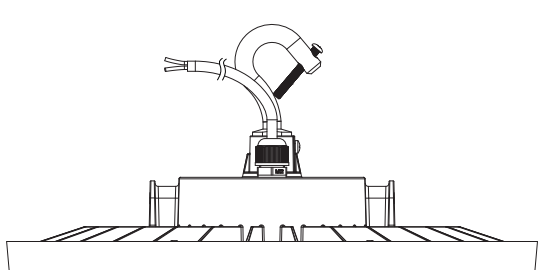


LED Highbay

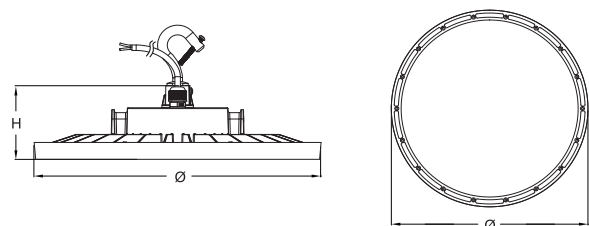
OPPLE

Version date 08-06-2021
www.opple.com

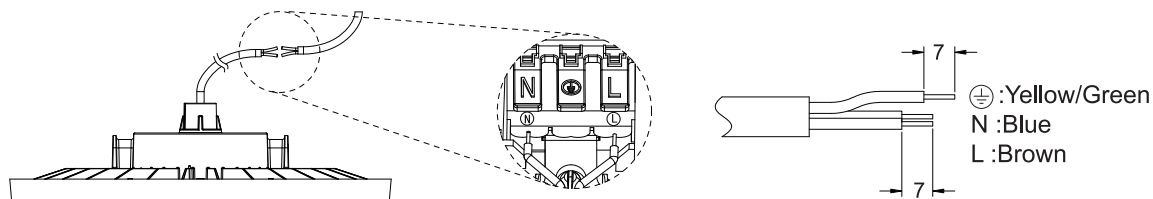
Model	CCT	kg
LED HB-E2 50W	4000K/5700K	1.3 kg
LED HB-E2 80W	4000K/5700K	1.79 kg
LED HB-E2 120W	4000K/5700K	2.46 kg
LED HB-E2 150W	4000K/5700K	2.46 kg
LED HB-E2 200W	4000K/5700K	3.39 kg
LED HB-E2 240W	4000K/5700K	3.39 kg



Model	H (mm)	∅ (mm)
LED HB-E2 50W	88	260
LED HB-E2 80W	88	260
LED HB-E2 120W	88	340
LED HB-E2 150W	88	340
LED HB-E2 200W	88	420
LED HB-E2 240W	88	420



Additional IP66 waterproof connection box (NOT included in packaging) is necessary for power connection to ensure the waterproof performance and safety. The connection box and terminal block in it should conform to IEC 60998-2-1 or IEC 60998-2-2 (Purchase Separately). The terminal should be adapted to 0.75-1.5mm² wire.

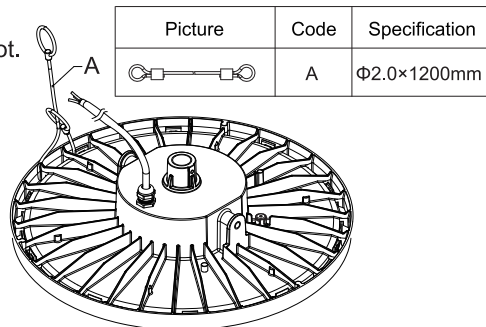


Safety wire installation:

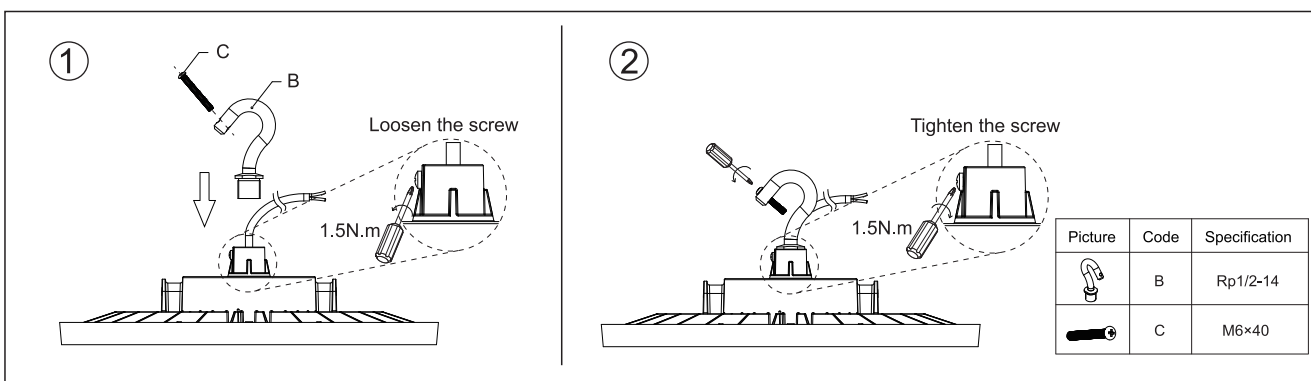
Pass safety wire through the hollow area of the luminaire, then tie the knot. Install the other end of safety wire on the ceiling or fixed hook. Make sure the safety wire is tighten.



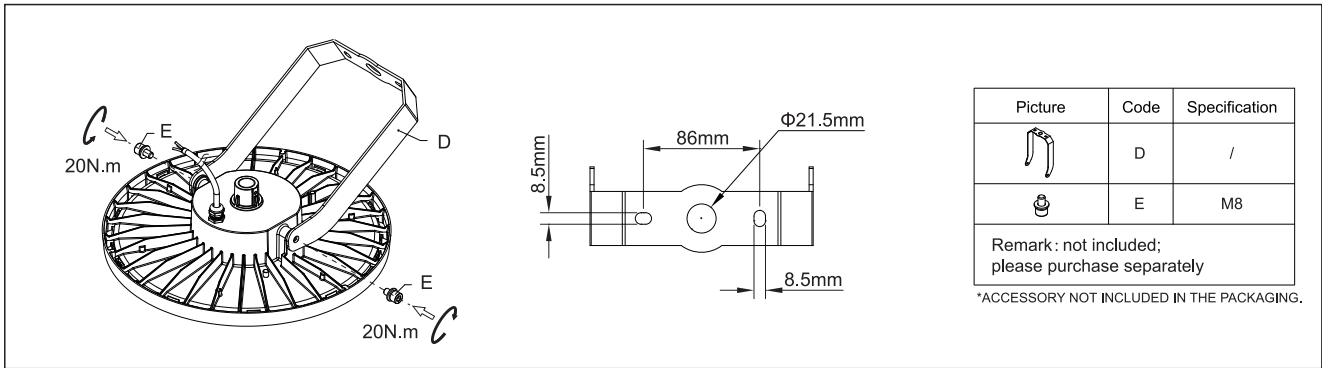
Warning: always take your responsibility to install the additional safety wire to ensure proper protection of your installation.



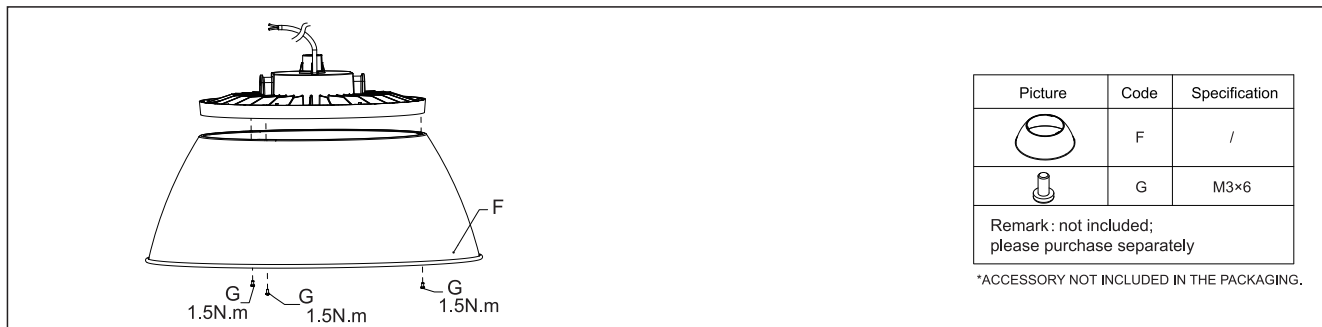
Hook



Bracket (Available as accessory)



Reflector (Available as accessory)



The product support various applications such as factory , mall, warehouse etc. Not for rough service.

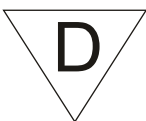
Input Voltage: 220-240V~ 50/60Hz

Caution : Any operation is forbidden while power is on.

The light source of this luminaire is not replaceable; when the light source reaches its end of life the whole luminaire shall be replaced.



The external flexible cable or cord of this luminaire cannot be replaced; if the cord is damaged, the luminaire shall be destroyed.



For use in environments where normal non-conductive/conductive dust accumulation may be expected, not for use in environments with expected high/unusual dust accumulation.

