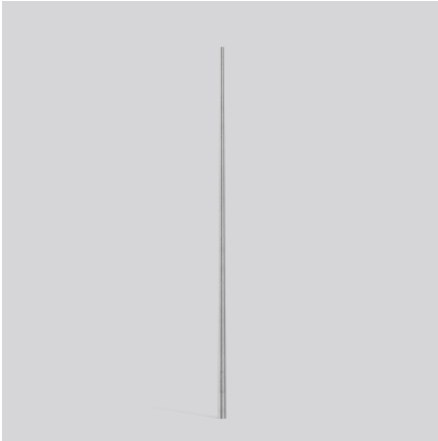


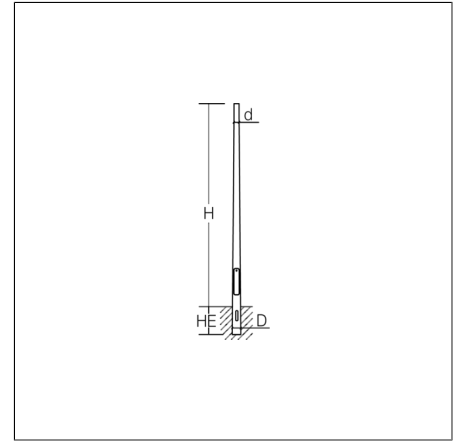
Steel poles, spigot Ø: 76 mm

611901.000 | Accessories



Accessories
4051859081524
D 156, H 7000

In-ground installation
unpainted



Conical steel pole, according to DIN EN 40. Hot-dip galvanised in compliance with DIN EN ISO 1461. Flush pole door, 85 x 400 mm. Triangular lock, other locks on request. C-slot with two sliding nuts M6 and earthing thread M8. Cable hole 50 x 150 mm (UKK 500 mm below level).

Product specifications

Diameter D	156 mm
Height H	7000 mm
Installation space height HE	1000 mm
Pole-top diameter	76 mm
Weight	69 kg
Conformity mark	CE, EAC

Accessories



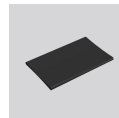
982098.003
Edge guard for cable hole



982099.000
Mounting aid / protection against sinking 300x300



982100.000
Mounting aid / protection against sinking 400x400



982101.003
Shrink sleeve



61199.009
Fuse box