

Daylight control module with twilight switch, 230 V, 3 lux – 300 lux, 2-wire, white

360-36194

4 year warranty

Daylight control module with twilight switch is durable and functional. It is a complete set containing the daylight control module and twilight switch. The daylight control module is suitable for car parks, outdoor areas, footpaths... The lighting is switched on automatically once the light level is below the preset level (standard setting: 35 lux). In the morning the lighting switches off automatically once the set lux level is exceeded by 10%. The lux level is easy to set using the potentiometer on the daylight control module. There is a double cable connecting the daylight control module and the twilight switch.

Finishing colour: white

- Sustainable
- Functional
- Complete kit: daylight control mode with daylight switch

Daylight control mode for car parks, outdoor spaces, paths, etc.

- The lighting turns on automatically in the evening, when the light intensity passes below the set value (standard setting: 35 lux). The lighting turns off automatically in the morning, when the lux value is exceeded by 10%.
- The lux level can easily be set using the potentiometer located on the daylight control module.
- Two-wire connection between the daylight control module and the twilight switch.



230 V

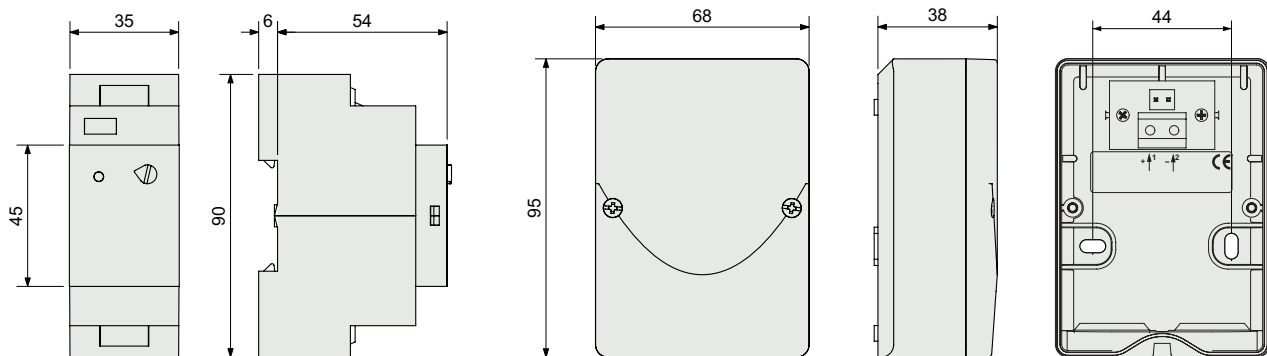
niko

360-36194 - 19-04-2023

Technical data

Article number	360-36194
Input voltage	230 Vac/24 Vdc
Detector output	230 V (ON/OFF)
Maximum MCB rating	10 A (limited by national installation rules)
Relay contact	N.O. (max. 16 A)
Maximum load incandescent and halogen lamps ($\cos\phi=1$)	3000 W
Maximum load economy lamps (CFLi)	1000 W
Maximum capacitive load	140 μ F
Maximum switching current	165 A/20 ms – 800 A/200 μ s
Light intensity range	3 lux – 300 lux
Number of channels	1 channel
Ambient temperature	-5 – +50 °C
Dimensions (HxWxD)	95 x 68 x 38 mm
Protection degree	IP20
Marking	CE

Dimensions



Wiring diagram

