



CorePro LEDspot LV



CorePro LED spot ND 4.4-35W MR16 827 36D

CorePro LEDspots are a perfect fit for spot lighting and deliver warm halogen-like light. They are compatible with most existing fixtures with MR16 GU5.3 holders and are designed as a retrofit replacement for halogen or incandescent spots. CorePro LEDspots deliver huge energy savings and minimize maintenance cost.

Product data

General Information	
Cap-Base	GU5.3
Nominal lifetime	15,000 hour(s)
Switching Cycle	50,000
Lighting Technology	LED
Flux measurement reference	Narrow Cone
Light Technical	
Color Code	827 [CCT of 2700K]
Beam Angle (Nom)	36 degree(s)
Luminous Flux	345 lm
Luminous Intensity (Nom)	650 cd
Color Designation	Warm White (WW)
Correlated Color Temperature (Nom)	2700 K
Luminous Efficacy (rated) (Nom)	78 lm/W
Color Consistency	<6
Color rendering index (CRI)	80
LLMF At End Of Nominal Lifetime (Nom)	70 %
Luminous Flux in 90° Cone (Rated)	345 lm
Photobiological safety according to EN 62471 RG1	
Operating and Electrical	
Line Frequency	- Hz

Input Frequency	- Hz
Power Consumption	4.4 W
Lamp Current (Nom)	520 mA
Wattage Equivalent	35 W
Starting Time (Nom)	0.5 s
Warm-up time to 60% light	0.5 s
Power Factor (Fraction)	0.6
Voltage (Nom)	ac electronic 12 V
Temperature	
T-Case Maximum (Nom)	85 °C
Controls and Dimming	
Dimmable	No
Mechanical and Housing	
Bulb Shape	MR16
Net Weight (Piece)	0.045 kg
Approval and Application	
Energy Efficiency Class	F
Suitable For Accent Lighting	Yes
Energy Consumption kWh/1000 h	5 kWh

CorePro LEDspot LV

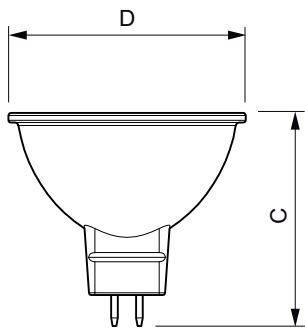
EPREL Registration Number	421457
CE mark	Yes
EU RoHS compliant	Yes
EyeComfort	Yes

Application Conditions	
can it be used in closed luminaires	No

Product Data	
Order product name	CorePro LED spot ND 4.4-35W MR16 827 36D

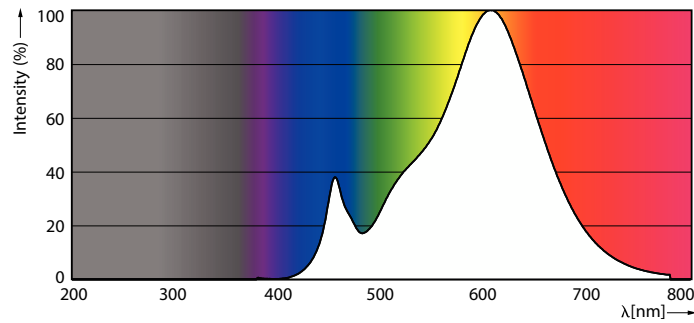
Full product name	CorePro LED spot ND 4.4-35W MR16 827 36D
Full product code	871951430706300
Order code	929002494602
Material Nr. (12NC)	929002494602
Numerator - Quantity Per Pack	1
EAN/UPC - Product/Case	8719514307063
Numerator - Packs per outer box	10
EAN/UPC - Case	8719514307070

Dimensional drawing

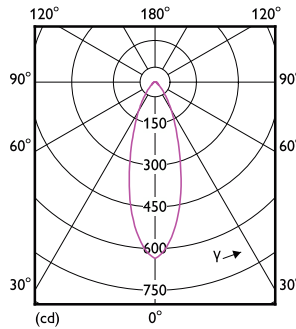


Product	D	C
CorePro LED spot ND 4.4-35W MR16 827 36D	50.5 mm	45.5 mm

Photometric data



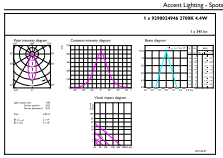
Spectral Power Distribution Colour - CorePro LED spot ND 4.4-35W MR16 827 36D



Light Distribution Diagram - CorePro LED spot ND 4.4-35W MR16 827 36D

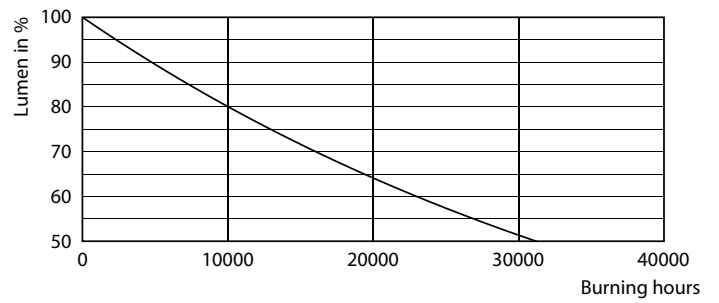
CorePro LEDspot LV

Photometric data



Accent Lighting Spots - CorePro LED spot ND 4.4-35W MR16 827 36D

Lifetime



Life Expectancy Diagram

Lumen Maintenance Diagram - CorePro LED spot ND 4.4-35W MR16 827 36D

