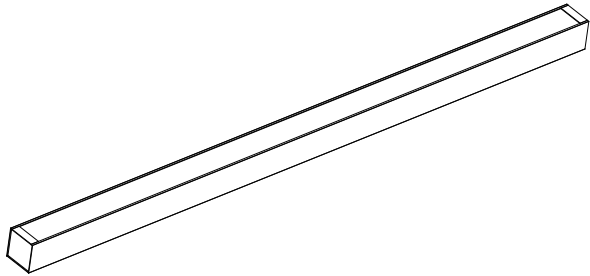
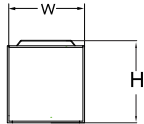
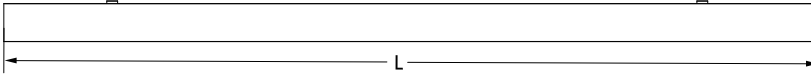


# LEDLIMA L12/L15 BLE2

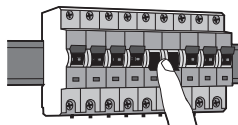
Item Code	Luminaire Description	kg
542003131500	LEDLima L12-15W-3000-U19-BLE2	2.5 kg
542003131600	LEDLima L12-15W-4000-U19-BLE2	2.5 kg
542003131700	LEDLima L15-18W-3000-U19-BLE2	3.1 kg
542003131800	LEDLima L15-18W-4000-U19-BLE2	3.1 kg
542003131900	LEDLima L12-30W-3000-BLE2	2.5 kg
542003132000	LEDLima L12-30W-4000-BLE2	2.5 kg
542003132100	LEDLima L15-36W-3000-BLE2	3.1 kg
542003132200	LEDLima L15-36W-4000-BLE2	3.1 kg
599006009000*	LEDLima Suspension-Kit	0.09 kg

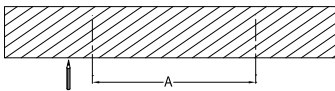
\* Accessories should be purchased separately.

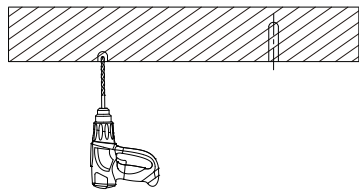
Model	L (mm)	W (mm)	H (mm)
LEDLima L12-15W-U19-BLE	1200	70	75
LEDLima L15-18W-U19-BLE	1500	70	75
LEDLima L12-30W-U22-BLE	1200	70	75
LEDLima L15-36W-U22-BLE	1500	70	75

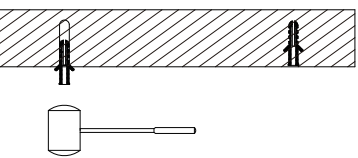
### Suspending

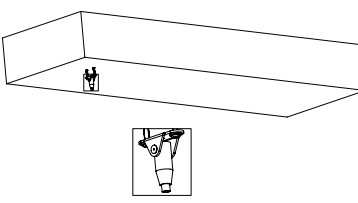
①  OFF  
\*Suspension Kit sold separately.

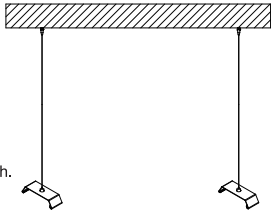
② 

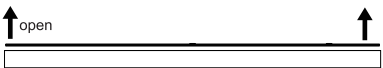
Model	A
LEDLima L12-15W-U19-BLE	800mm
LEDLima L15-18W-U19-BLE	800mm
LEDLima L12-30W-U22-BLE	1100mm
LEDLima L15-36W-U22-BLE	1100mm

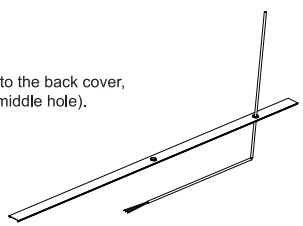
③ 

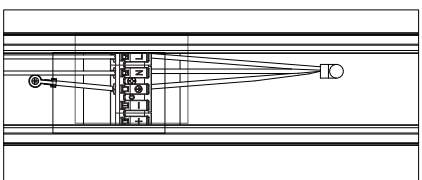
④ 

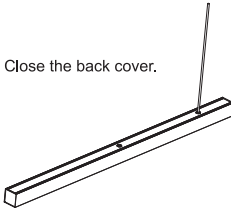
⑤ 

⑥  Press  
Insert rope  
Adjust length.

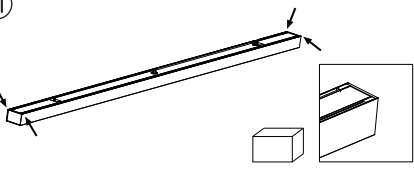
⑦  open

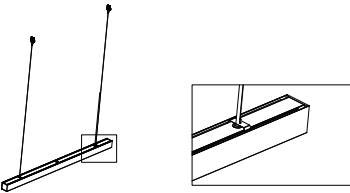
⑧  Insert 230V cable into the back cover, from side hole (not middle hole).

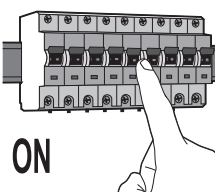
⑨ 

⑩  Close the back cover.

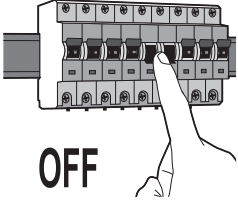
Line (Brown)  
Neutral (Blue)  
PE (Ground)

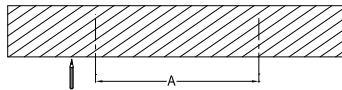
⑪  Push into the 4 sealing rubbers.

⑫  Mount the luminaire with bracket.

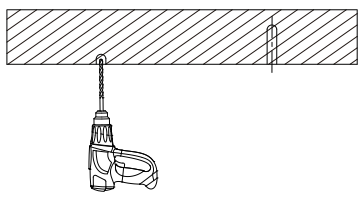
⑬  ON

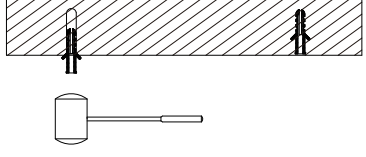
**Ceiling**

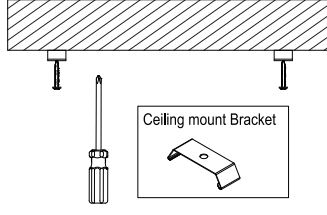
①  OFF

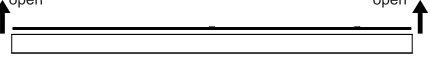
②  A

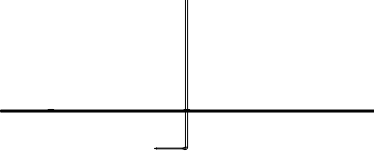
Model	A
LEDLima L12-15W-U19-BLE	800mm
LEDLima L15-18W-U19-BLE	800mm
LEDLima L12-30W-U22-BLE	1100mm
LEDLima L15-36W-U22-BLE	1100mm

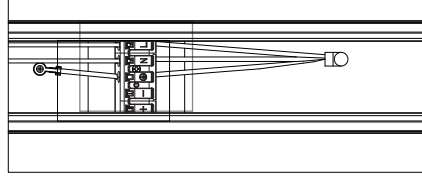
③ 

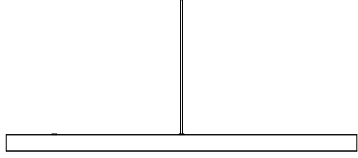
④ 

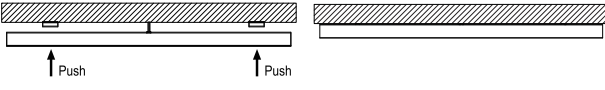
⑤  Ceiling mount Bracket

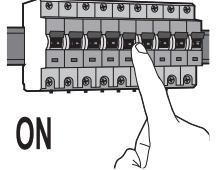
⑥  open

⑦  Put into the cable through the rubber hole.

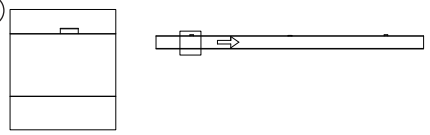
⑧  Line (Brown)  
Neutral (Blue)  
PE (Ground)

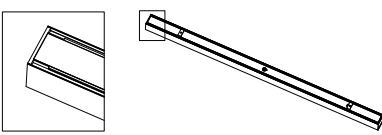
⑨  Un-Mount luminaire (Ceiling).

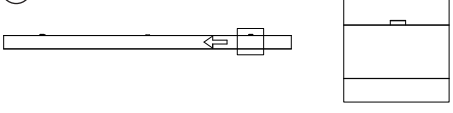
⑩  Push

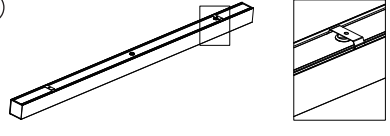
⑪  ON

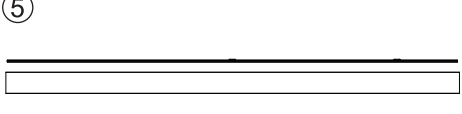
## Unmount luminaire

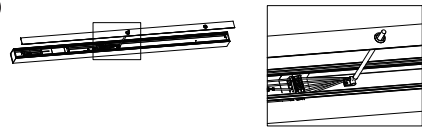
①  1. Slide luminaire to the right until the clip on the left end.

②  2. Take down the left side of luminaire.

③  3. Slide luminaire to the left until the clip on the right end.

④  4. Take down the right side of luminaire.

⑤  5. Open the back cover.

⑥  6. Disassemble the 230V input cable.

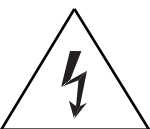
In case of damage to the wire, it has to be replaced only by the manufacturer, distributor or by an expert, to avoid risks.



Caution: Any operation on LED module is forbidden while power-on.

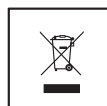
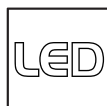
Zur Vermeidung von Risiken müssen defekte Leitungen ausschließlich vom Hersteller, Inverkehrbringer oder Fachmann ausgetauscht werden.

Achtung: In Betrieb ist keine Arbeit am LED-Modul erlaubt.



For non-user replaceable light sources.

The light source contained in this luminaire shall only be replaced by the manufacturer or his service agent or a similar qualified person.



Bluetooth Operating Frequency: 2402-2480 MHz  
Bluetooth Max Transmission Power: <20dBm

Suzhou Opple Lighting Co., Ltd.  
East Side, Fenyang Road,  
Fenhu Economic Development Zone,  
Wujiang City, Jiangsu Province,  
P.R. China

Opple Lighting B.V.  
Meerenakkerweg 1-07  
5652 AR Eindhoven  
The Netherlands  
service@opple.com  
www.opple.com