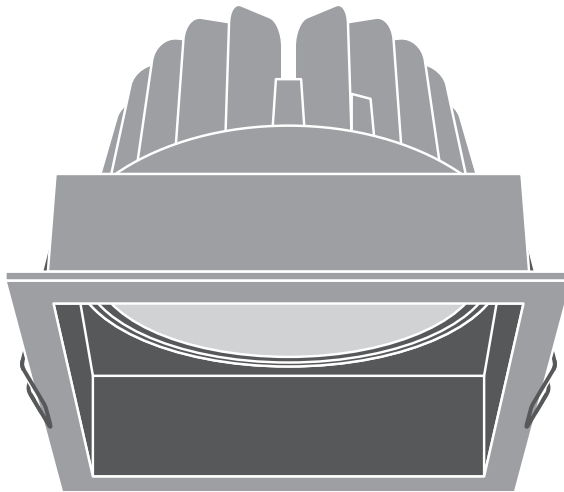
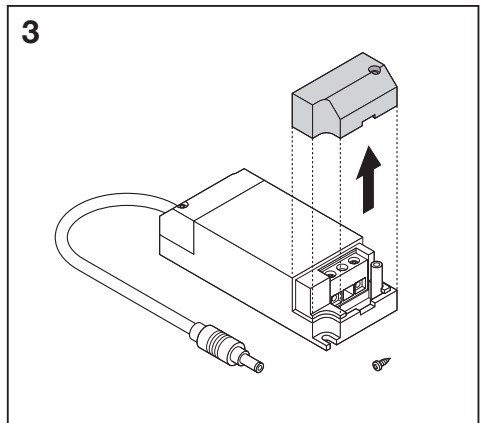
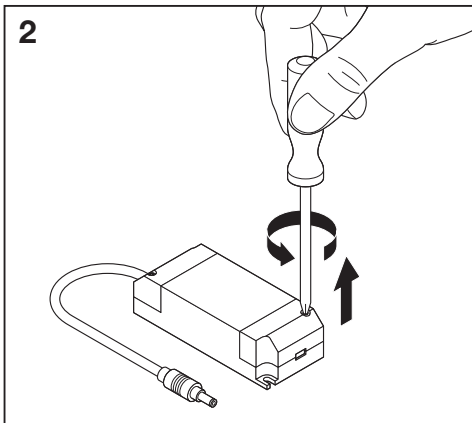
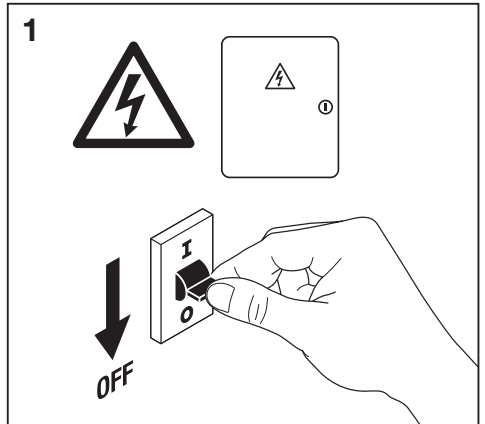
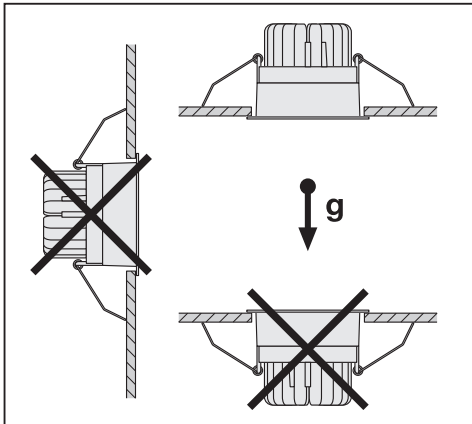
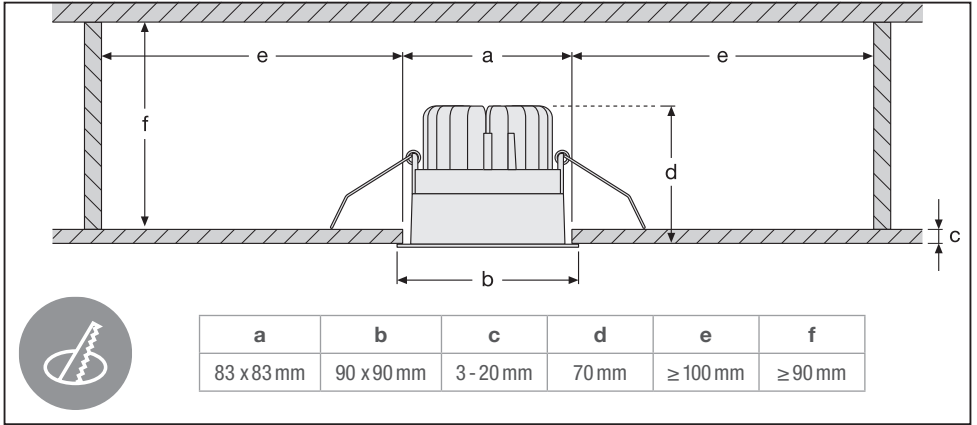
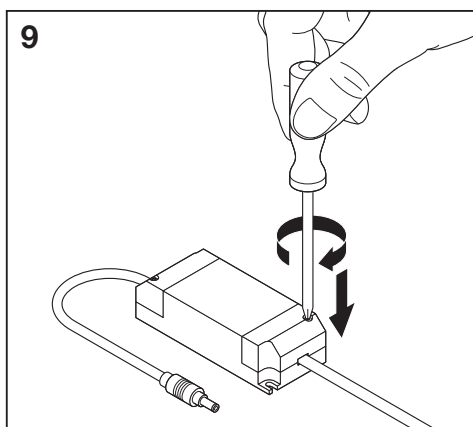
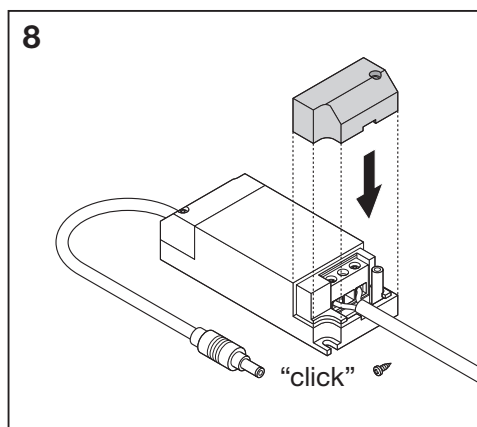
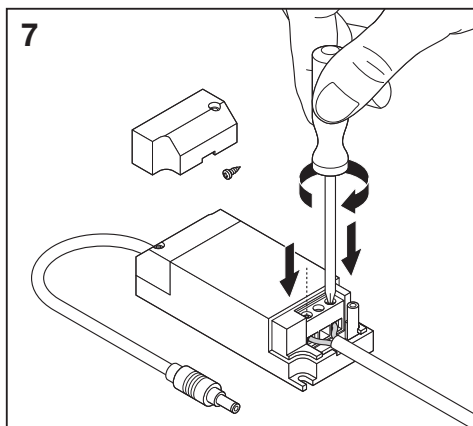
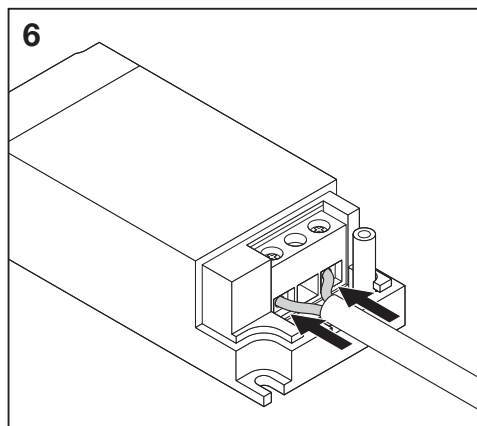
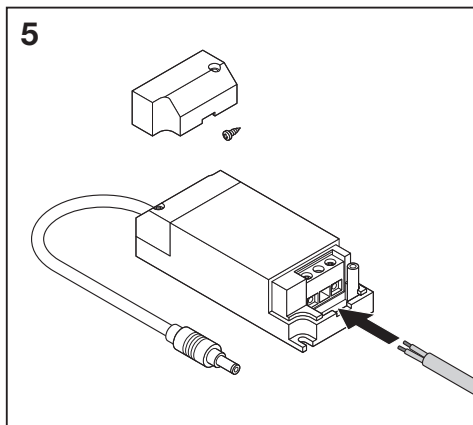
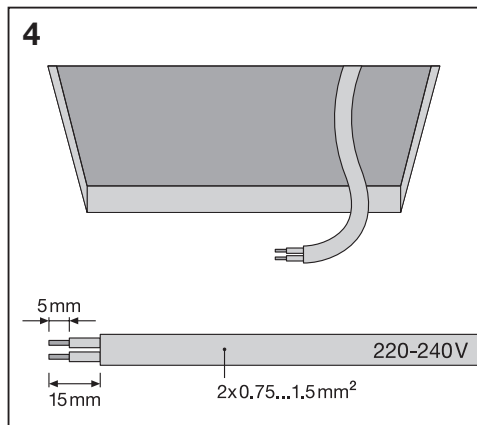

SPOT SQUARE DK ADJUST

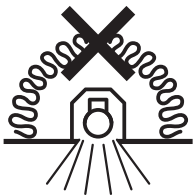
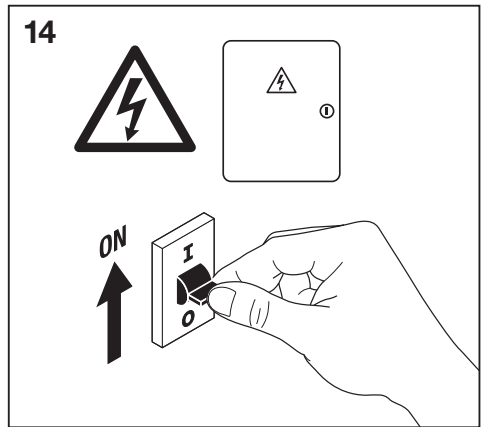
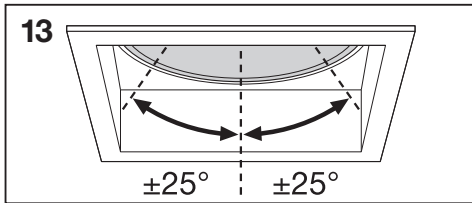
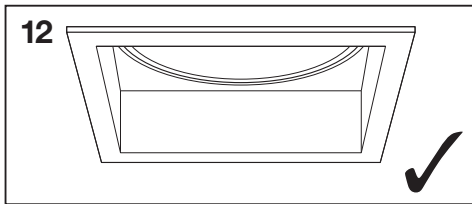
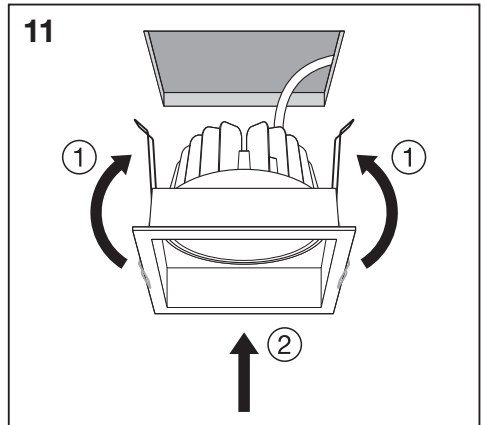
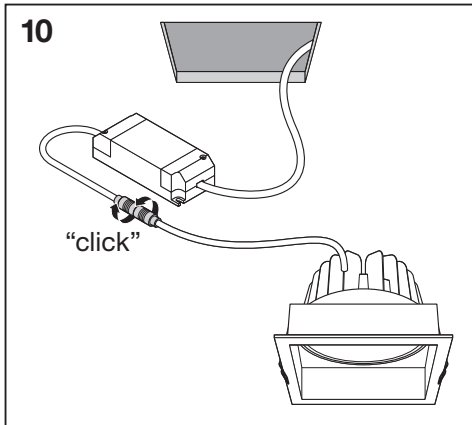


	EAN	l x w x h [mm]	W	lm	lm/W	K	IP	IK
SPOT SQUARE DK ADJUST WT	4058075114043	90x90x72	8	650	90	3000	20	03
SPOT SQUARE DK ADJUST BK	4058075114067	90x90x72	8	650	90	3000	20	03

	EAN	°C	V _{AC}	Hz	∠	PF	R _a	👤
SPOT SQUARE DK ADJUST WT	4058075114043	-10...+40	220-240V	50/60 Hz	36°	> 0.5	> 80	0.2 kg
SPOT SQUARE DK ADJUST BK	4058075114067	-10...+40	220-240V	50/60 Hz	36 °	> 0.5	> 80	0.2 kg







C10449057
G11034589
19.01.18



LEDVANCE GmbH
Steinerne Furt 62
86167 Augsburg, Germany
www.ledvance.com