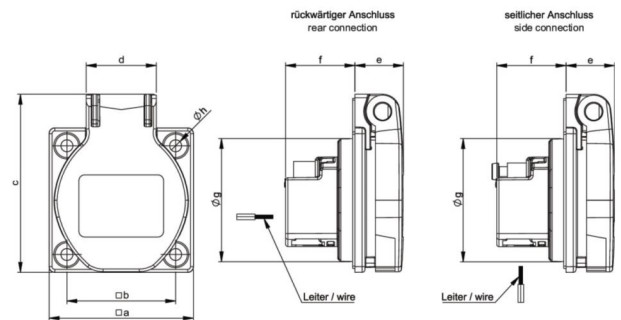


PCE data sheet

article#	1040-0bsc
article description	Safety socket fran./belg.Shutter P-NOVA+
description long	
GTIN (EAN)	9003399020261
country of origin	LK
customs number	85366990
net weight	0.045 kg
packaging quantity	100

ETIM 7.0	EC001325
Model	Earthing pin
Material	Plastic
Material quality	Thermoplastic
Flange size	50x50 mm
With hinged lid	True
For heavy conditions (in accordance with VDE)	True
Degree of protection (IP)	IP54
Angle of plug	Straight
Connection system	Schraubklemme
Colour	Blue
Number of poles	3
Nominal current	16 A
Nominal voltage	250 V



www.manufacturer-safety.info