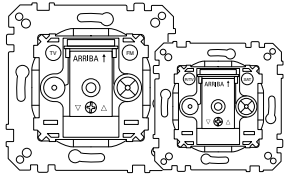


**Connections, displays and operating elements**

**Antenna socket-outlet insert**

Operating instructions



**Antenna single socket-outlet insert, 2 outputs R/TV+SAT**  
Art. no. MTN299200



**Antenna intermediate socket-outlet insert, 2 outputs R/TV+SAT**  
Art. no. MTN299201



**Antenna end of line socket-outlet insert, 2 outputs R/TV+SAT**  
Art. no. MTN299202



**Antenna socket-outlet, 2-gang (TV+FM)**  
Art. no. MTN299203



**Antenna socket-outlet, 2-gang (TV+FM)**  
Art. no. MTN299204



**Antenna socket-outlet, 2-gang (TV+FM)**  
Art. no. MTN299205



**Getting to know the socket-outlet insert**

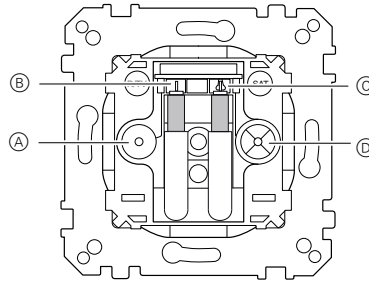
The antenna socket-outlet insert (referred to below as the **insert**) splits the input signal in a way, corresponding to the version, that different frequency ranges (TV, Radio or SAT) are available at the outputs.

Corresponding to the version the insert is designed as a single device, as an intermediate device in a line or as a line end device. According to this one or two signal lines are connected.

**Accessories**

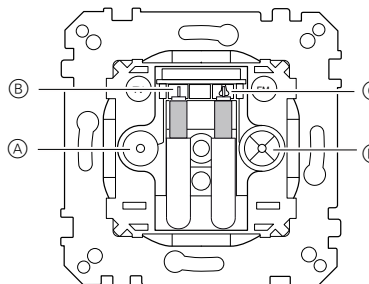
The antenna socket-outlet insert is completed with a corresponding central plate and frame, depending on the system that is used.

**MTN299200/MTN299201/MTN299202**



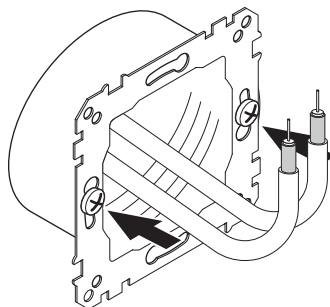
- (A) Signal input R/TV
- (B) Connection R/TV
- (C) Connection SAT
- (D) Signal input SAT

**MTN299203/MTN299204/MTN299205**

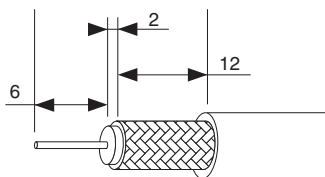
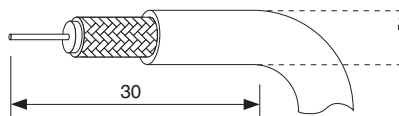


- (A) Signal input TV
- (B) Connection TV
- (C) Connection FM
- (D) Signal input FM

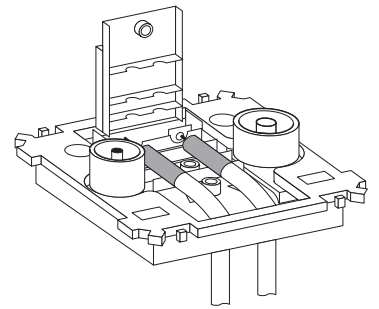
**How to install the insert**



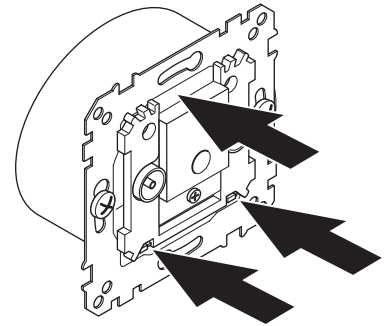
- ① Mount the retaining ring to the flush-mounted box with two screws.



- ② Insulate the signal cable. Pay attention to the bending length!



- ③ Insert the cable from below and bend it afterwards.
- ④ Put the signal cable inside the insert and fix it with the clip.



- ⑤ Place the insert in the retaining ring top first, then in the bottom, till it snaps hearable.
- ⑥ Fit the frame.
- ⑦ Fit the central plate and screw it.

**Technical data**

**MTN299203**

Type: Single device  
Input: 1 x TV  
1 x FM

Absorbability

Radio: 10 dB (87,5 to 108 MHz)  
TF/VHF: 2 dB (47 to 68 MHz)  
TV/UHF: < 1 dB (125 to 860 MHz)  
DC-bus: no  
Device per line: 1  
Signal line: ø 9,5 mm

**MTN299204**

Type: Intermediate device  
Input: 1 x TV  
1 x FM

Absorbability

Radio: 32 dB (87,5 to 108 MHz)  
TF/VHF: 17 dB (47 to 68 MHz)  
TV/UHF: 17 dB (125 to 860 MHz)  
Output absorbability 0,5 dB

TV:

DC-bus: yes  
Device per line: 7  
Signal line: ø 9,5 mm

**MTN299205**

Type: End device  
Input: 1 x TV  
1 x FM

Absorbability

Radio: 27 dB (87,5 to 108 MHz)  
TF/VHF: 13,5 dB (47 to 68 MHz)  
TV/UHF: 13,5 dB (125 to 860 MHz)  
Gleichstrom: yes  
Device per line: 1  
Signal line: ø 9,5 mm

**MTN299200**

Type: Single device  
Input: 1 x R/TV  
1 x SAT

## Absorbability

Radio: < 0,8 dB (87,5 to 108 MHz)  
TF/VHF: < 0,8 dB (47 to 68 MHz)  
TV/UHF: < 0,8 dB (125 to 860 MHz)  
SAT: < 1,4 (950 to 2400 MHz)  
DC-bus: at SAT socket  
Device per line: 1  
Signal line: ø 9,5 mm

**MTN299201**

Type: Intermediate device  
Input: 1 x R/TV  
1 x SAT

## Absorbability

Radio: 13 dB (87,5 to 108 MHz)  
TF/VHF: 13 dB (47 to 68 MHz)  
TV/UHF: 13 dB (125 to 860 MHz)  
SAT: < 12 (950 to 2400 MHz)

## Output absorbability

TV: 1 dB  
SAT: 1,5 dB  
DC-bus: at SAT socket  
Device per line: 1  
Signal line: ø 9,5 mm

**MTN299202**

Type: End device  
Input: 1 x R/TV  
1 x SAT

## Absorbability

Radio: < 9 dB (87,5 to 108 MHz)  
TF/VHF: < 9 dB (47 to 68 MHz)  
TV/UHF: < 9 dB (125 to 860 MHz)  
SAT: < 17 (950 to 2400 MHz)  
DC-bus: at SAT socket  
Device per line: 1  
Signal line: ø 9,5 mm

**Schneider Electric Industries SAS**

If you have technical questions, please contact the Customer Care Center in your country.

[www.schneider-electric.com](http://www.schneider-electric.com)

This product must be installed, connected and used in compliance with prevailing standards and/or installation regulations. As standards, specifications and designs develop from time to time, always ask for confirmation of the information given in this publication.