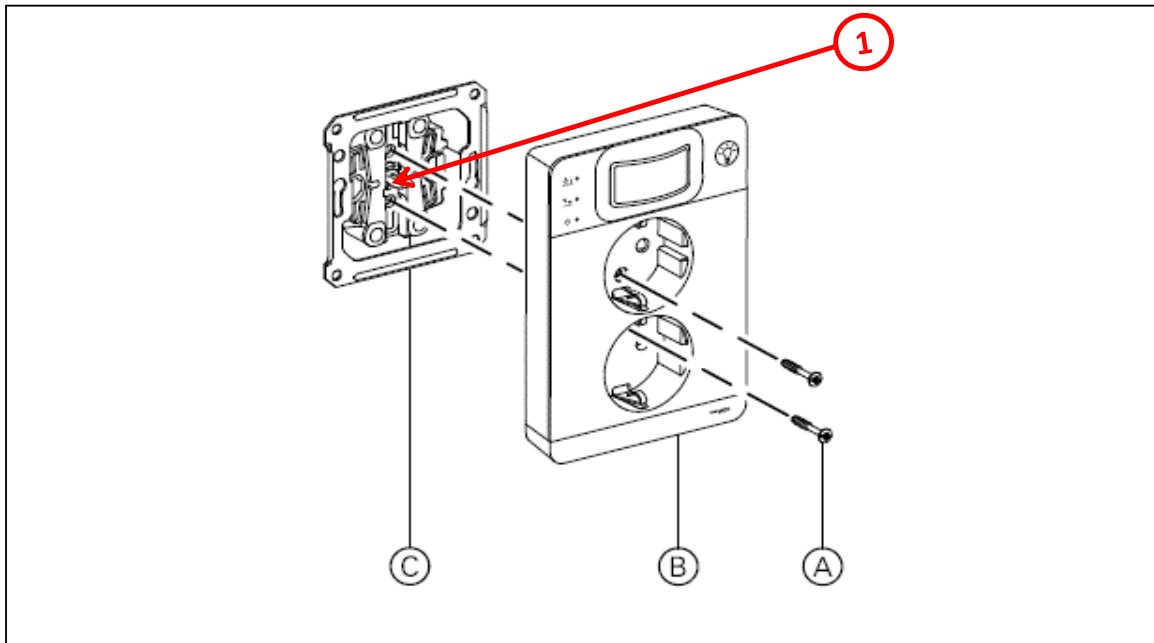


Product End of Life Instructions

Socket outlet 2-way screwless Light



End of Life Instructions



Recommendation	Number on drawing	Component / Material	Weight (in g)	Comment
To be depolluted	1	Electronic Board (Communication) > 10cm ²	10.84	Including all soldering parts

Product description

Manufacturer identification	Schneider Electric Industries SAS
Brand name	Schneider Electric
Product function	Allow users to connect and disconnect the plug of an electrical load or the source of a signal from a network.
Product reference	WDE002190
Additional similar product references	WDE002190
Total representative product mass	118.6 g
Representative product dimensions	128mm x 87mm x 44.2mm
Accessories	No
Date of information release	02/2020

Additional information

Legal information	This product family is in the scope of European Union directive 2012/19/EU on Waste Electrical and Electronic Equipment (WEEE). The product family must be disposed according to the legislation of the country. This document is intended for use by end of life recyclers or treatment facilities. It provides the basic information to assure an appropriate end of life treatment for the components and materials of the product.
In case of special transportation: transportation method	No

Recyclability potential

79%

Based on "ECO'DEEE recyclability and recoverability calculation method" (version V1, 20 Sep. 2008 presented to the French Agency for Environment and Energy Management: ADEME).

Schneider Electric Industries SAS
Country Customer Care Center
<http://www.schneider-electric.com/contact>
35, rue Joseph Monier
CS 30323
F- 92506 Rueil Malmaison Cedex
RCS Nanterre 954 503 439
Capital social 896 313 776 €
www.schneider-electric.com

Published by Schneider Electric

ENVEOLI1912002_V1

© 2019 - Schneider Electric – All rights reserved

02/2020