

THORGEON

LIGHTING

PANIC EMERGENCY LIGHT

03084



Scan me

www.thorgeon.com/03084

Manufactured in PRC



4751029897329

Developed in Latvia

THORGEON



www.thorgeon.com

SIA "ATTA-1", Daugavgrivas street 77,
Riga, Latvia, LV-1007

PANIC EMERGENCY LIGHT

MODEL N° 03084

PRECAUTIONS

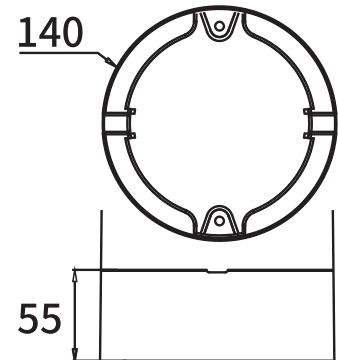
Normal Operation: The green LED indicator stays on when connected to mains supply. The indicator will turn off when the mains supply fails, or when the internal charger malfunctions, or when the luminaire is in test mode. **Battery:** LiFePO4 rechargeable battery pack. Battery should be replaced when it reaches the end of its lifetime. To avoid damage to the luminaire and ensure its performance, the battery should be replaced with same type. **Test Switch:** Press the test button, LED indicator will turn off and the luminaire will be powered by the battery pack. The light source is non-replaceable. When the light source reaches the end of its lifetime, the whole luminaire shall be replaced.

WARNING

1. Switch off before installation or maintenance. 2. Switch on only after complete installation and examination of the circuit. 3. Professional electrician for installation and maintenance only. 4. This luminaire is not intended for use in high-risk task area lighting.

Turn Off Power Supply

Read instructions and check you have all the tools and accessories to complete the installation correctly.



Surface mount



Recessed

INSTRUCTIONS FOR AUTOMATIC TEST OPTION

1. Once the unit is powered up, a self-diagnostics test will be automatically initiated:

- Check battery, lamp, charge board and transfer fault all the time.
- Run 3mins duration test every month.
- Run 1H or 3H duration test every year.

Note: All test functions are preset and no need field adjustment.

- One flash, 4s pause Battery disconnected
- Two flashes, 4s pause * Low battery voltage
- Three flashes, 4s pause * Charge board fault
- Four flashes, 4s pause * AC/DC transfer fault
- Five flashes, 4s pause * LED lamp fault

Note: When the fault is recovered, press the test button for 2s, the red flashing indicator will turn green. The fault is cleared, and the unit is back to normal.

2. Dual Colour LED Status Indicator Meaning

- Green indicator solid on: Ready/Normal Operation
- Red indicator flashes: Require service

3. Button Test

- Press test button once run a 30s duration test
- Press test button twice within 2s run a 3mins duration test
- Press test button 3 times within 2s run a 30mins duration test
- Press test button 4 times within 2s run a 1H or 3H duration test

Status indication for Self-Testing

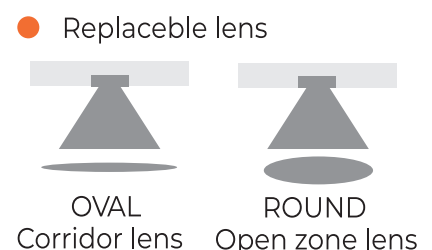
System status is indicated by a bi-colour LED and by a DALI status flag.



● Replaceable lens - OVAL&ROUND (included)



● Snap on
● Samsung LED
● Test Button



● Replaceable lens
OVAL Corridor lens
ROUND Open zone lens

03 TECHNICAL LIGHT FITTINGS THORGEON

LED indication	Status	Commentary
Permanent green	System OK	
Fast flashing green (0.1 sec. on -0.1 sec. off)	Function test underway	
Slow flashing green (1 sec. on -1 sec. off)	Duration test	
Red LED on	Load failure	Open circuit / Short circuit / LED failure
Slow flashing red (1 sec. on -1 sec. off)	Battery failure	Battery failed the duration test or function test/ Battery is defect / Incorrect battery voltage
Fast flashing red (0.1 sec. on -0.1 sec. off)	Charging failure	Incorrect charging current
Double pulsing green	Inhibit mode	Switching into inhibit mode via controller
Binary transmission of address via green/red LED	Address identification	During address identification mode
Green and red off	Emergency mode	Battery operation (Emergency mode)



3 CONNECTIONS IN ONE

