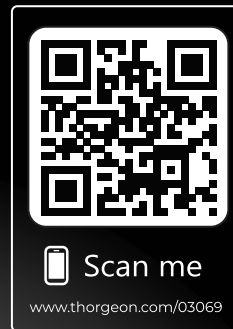


THORGEON

LIGHTING

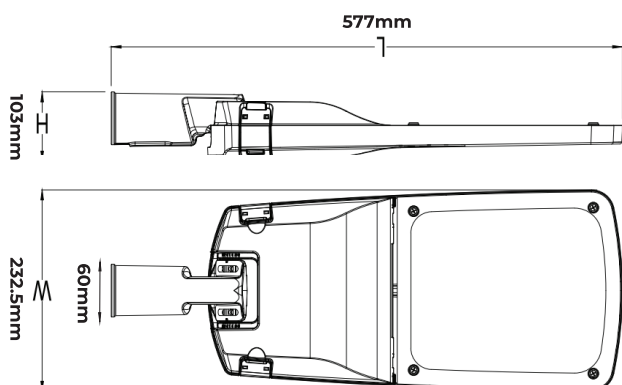
LED STREET LIGHT
 Lumiled 5050 **PHILIPS** LED
PHILIPS Xitanium drive



03069



- LED**
POWER
 60W
- COLOR**
 4000K
- LUMENS**
 9000
- V**
 220-240V
- Hz**
 50-60
- PF**
 >0.90
- h**
 10000+
- %**
 >1 sek
- Ra70**
- IP66**
- IK09**
- h**
 100000
- °C**
 -20°C
- °C**
 +40°C
- Kg**
 3.9/4.6



4751029897039
 Developed in Latvia

THORGEON

LIGHTING

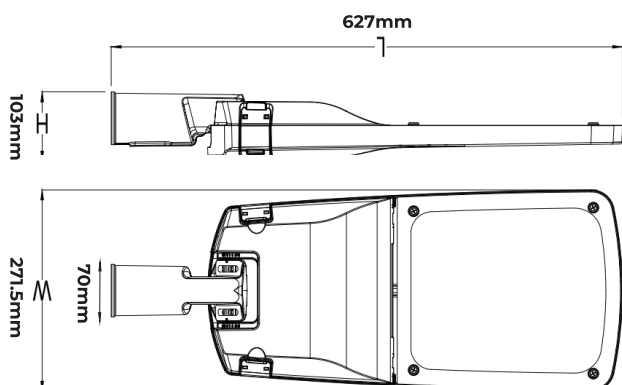
LED STREET LIGHT
 Lumiled 5050 **PHILIPS** LED
PHILIPS Xitanium drive



03070



- LED**
POWER
 100W
- COLOR**
 4000K
- LUMENS**
 15000
- V**
 220-240V
- Hz**
 50-60
- PF**
 >0.90
- h**
 10000+
- %**
 >1 sek
- Ra**
 Ra70
- IP**
 IP66
- IK**
 IK09
- °C**
 -20°C
- °C**
 +40°C
- Kg**
 5.4/6.5



4751029897046
 Developed in Latvia