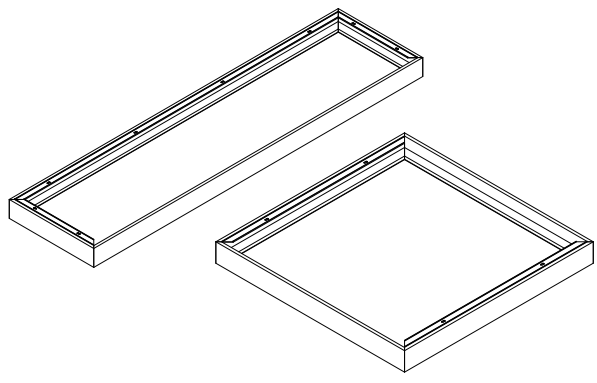
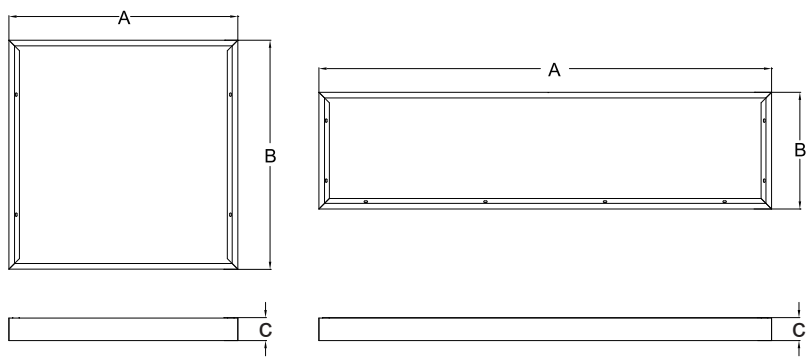


LED Surface Mounting Module Kit

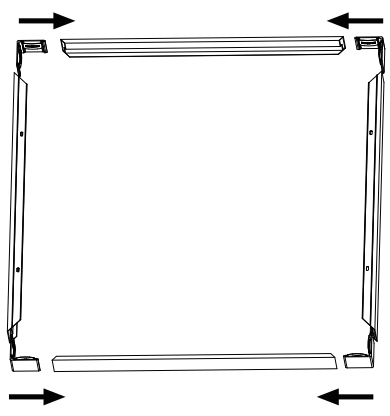
Version date 04-11-2019
www.opple.com

Item Code	kg
542098017500	1.4kg
542098017600	1.33kg
542098017700	1.5kg

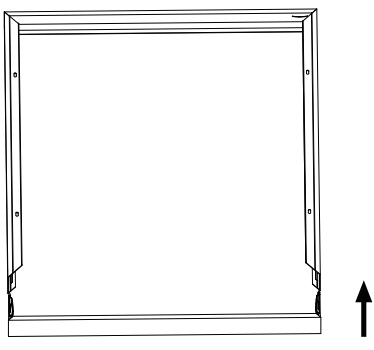



Type	A(mm)	B(mm)	C(mm)
LED PL-RC2 SQ625-Surface-Kit-WH	637	637	69
LED PL-RC2 SQ600-Surface-Kit-WH	610	610	69
LED PL-RC2 RE300-Surface-Kit-WH	1211	311	69

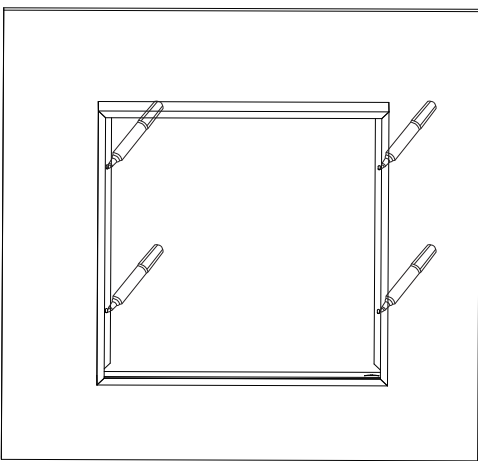
①



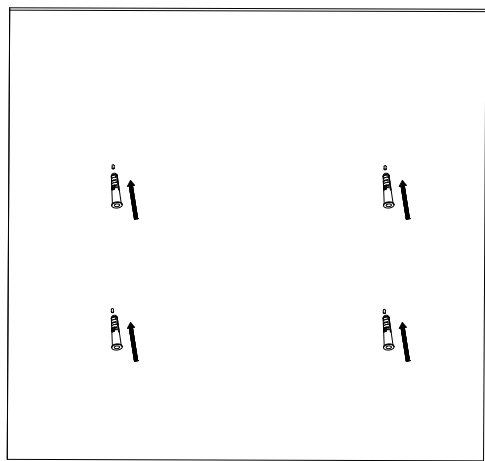
②

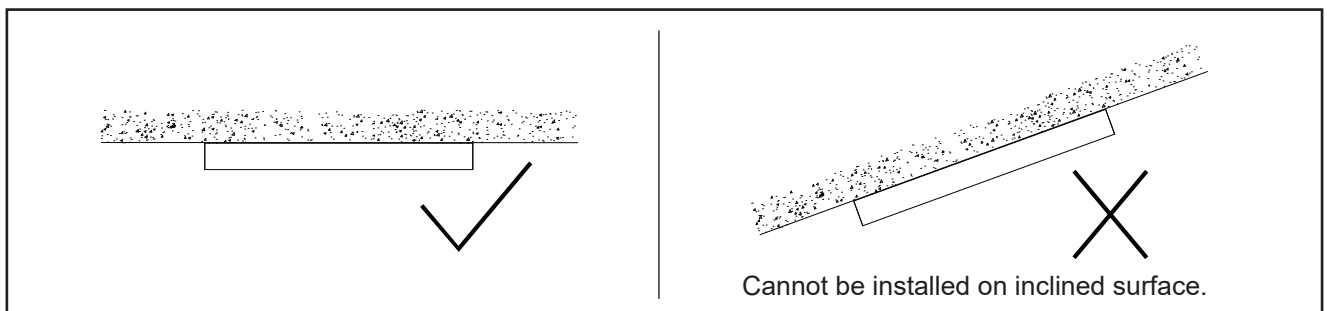
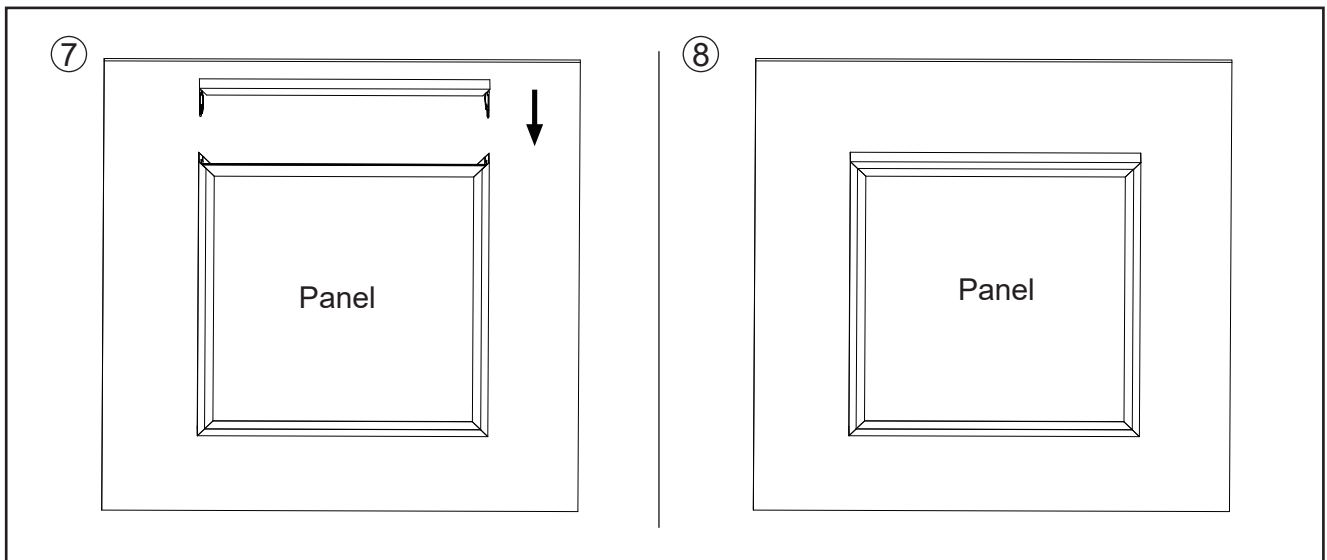
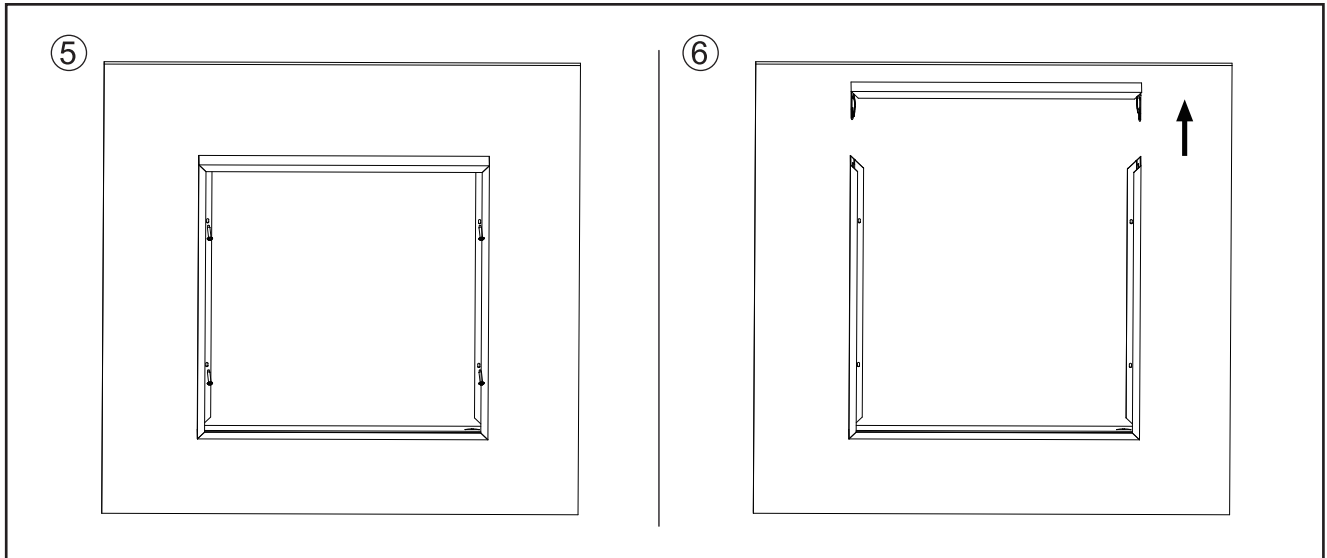


③



④





Cannot be installed on inclined surface.

