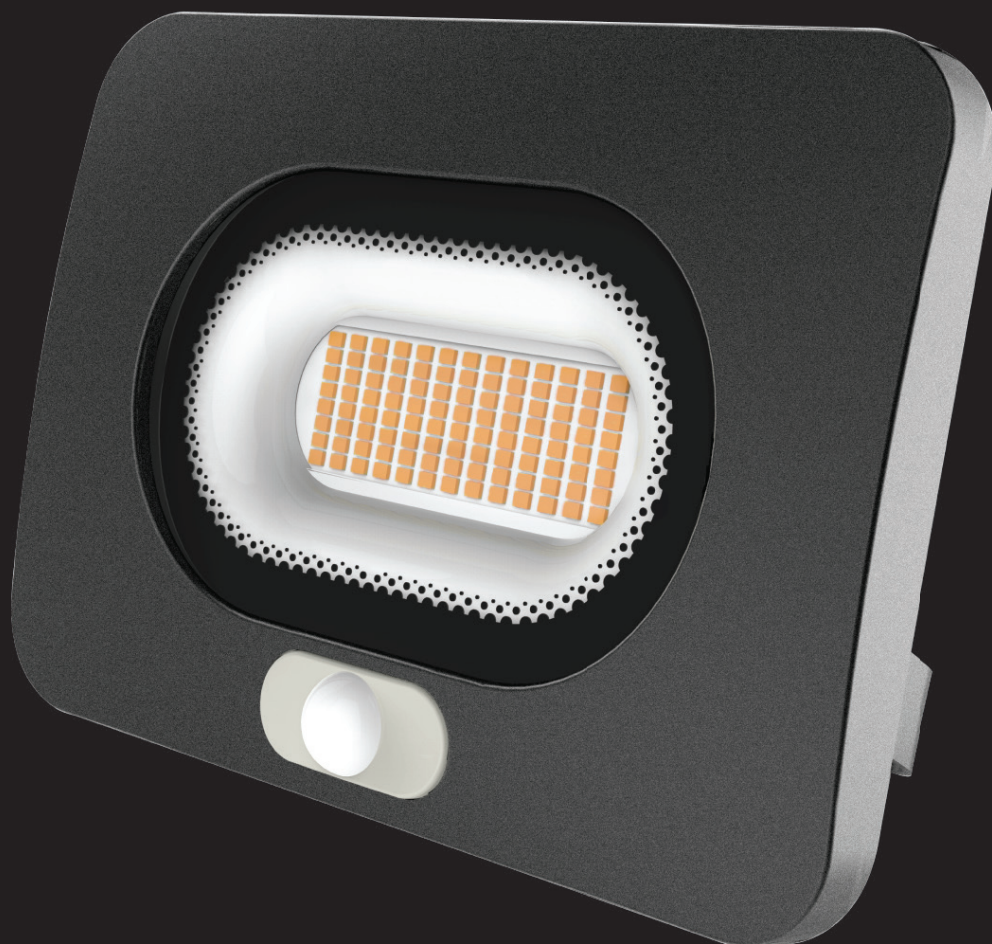


THORGEON

LIGHTING



MINI PIR LED FLOODLIGHT

03004

 LED
POWER
50 W

 COLOR
4000 K

 LUMENS
5000

 30000 H

 4 - 6 M

 120°

 220 - 240 V

 IP 65

 IK 09

 RA 80

MINI PIR LED FLOODLIGHT

MODEL No: 03004

Place the light fitting on a stable surface and with an Allen key remove the U-bracket from the LED floodlight and store the retaining bolts, split-locks and washers. Present the U-bracket to a suitable position and surface so that it can be mounted flush. Check with a spirit level if required Mark out two suitable fixing positions. Use suitable tools and fixings to mount the U-bracket safely and securely to the surface, depending on the substrate, alternative fixings to the items supplied may be required. Once the U-bracket is mounted, securely reattach the LED floodlight ensuring it is the correct way up and at the appropriate angle. Ensure bolts are tight on both sides of the U-bracket. Connect the LED floodlight cable to a suitably protected waterproof junction box. Please pay attention to the polarity and Earth. The flood light is a CLASS device- an EARTH connection is mandatory. Neutral = Blue, Live - Brown, Green/Yellow - Earth Check connections and switch power ON when safe to do so.

Waste electrical production should not be disposed of with household waste. Please recycle where facilities exist.



MIN: 10 sec
MAX: 10 min



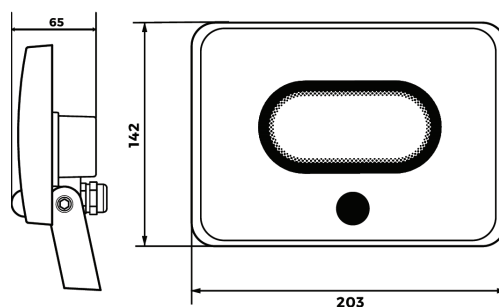
LUX adjustable
< 3 - 1000

TECHNICAL PARAMETERS

CATEGORY	LED FIXTURE
WATTAGE	50 W
KWH	50 KWH
VOLTAGE	220-240 V
TYPE	AC
LUMENS	5000 LM
CRI	80 RA
ANGLE	120°
WORKING DISTANCE	4-6 M
COLOUR TEMPERATURE	4000 K
RGB	NO
REMOTE CONTROL	NO
IGNITION	0.5

DIMMABLE	NO
IP	65
COOLING	PASSIVE
IMPACT PROTECTION RATING (IK)	IK09
TEMPERATURE RANGE:	-20°- +40°C

DIMENSIONS:



WEIGHT: 0.747KG

