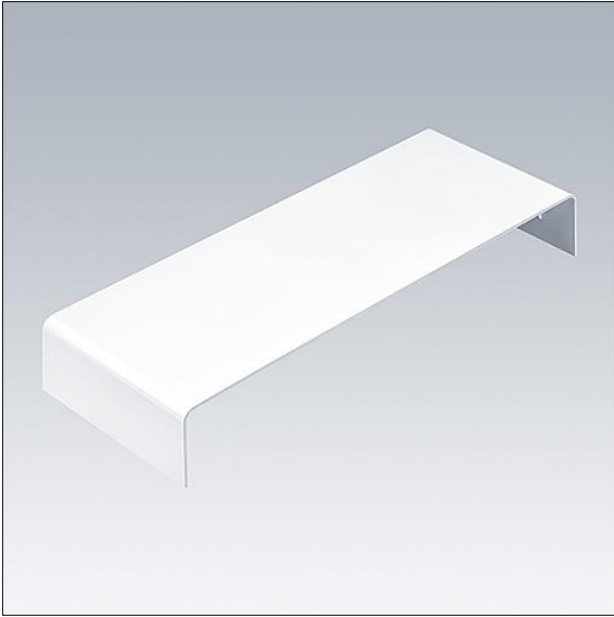
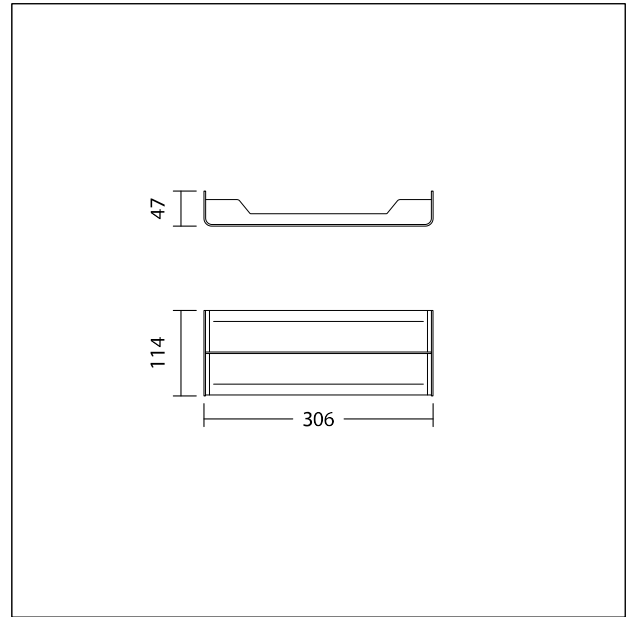


## Continuous row connector

Exchange Endcap for continuous row application to mechanically connect luminaires. Product dimensions: 114 mm x 306 mm x 47 mm, weight: 0.3 kg.



TE\_ROXY\_F\_Endcap\_Connector\_01.jpg



TE\_ROXY\_M\_COUPLING.wmf